

XMRDOMEAHD



Main Features

- Specialized structure for vehicle: easy assembly and disassembly; lockable angle and anti-vibration;
- Adapt to volatile environments; avoid vehicle circuit interface; support high temperature on vehicle roof;
- Audio band-pass filter(optional): reduce vibration noise of vehicle engine and frame

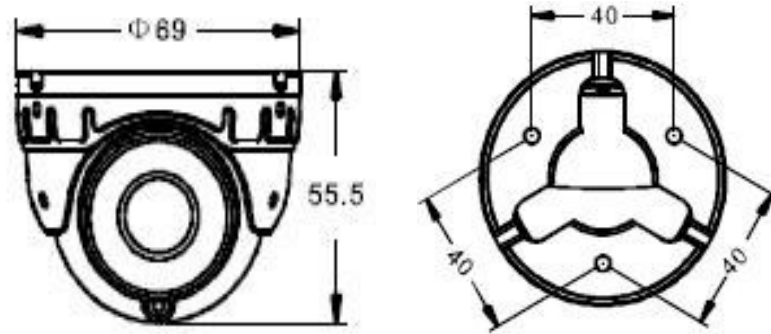
Overview

AHD mini conch dome camera can provide high resolution image, which can be applied outside and inside of vehicles with anti-vibration features and compact size. User can choose different lenses (2.8mm), with audio function, with/without infrared.

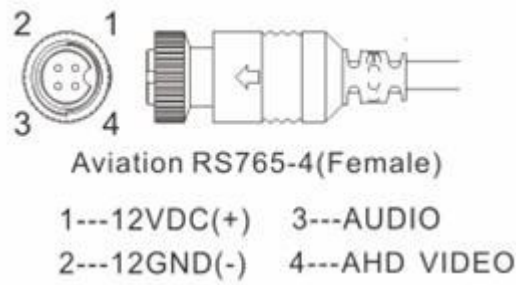
Specification

CMOS	1/3 1.3M pixel CMOS
Resolution	720P (1.0 MP)
Minimum illumination	0 Lux when IR on
Sync system	Inter-sync
Scanning system	2:1 interlaced
S/N	≥50dB (AGC off)
Lens	2.8mm I
Electronic shutter	Auto
White balance mode	Auto
Color to black	Ext
Gamma Correction	0.45
Audio	Support
Video output	AHD standard output, 4-pin aviation cable
IR	(6 IR LEDs, IR distance is about 5 meters)
Power	12V DC ± 10%
Consumption(Max.)	120mA/DC 12V
Working temperature	-40°C ~ 70°C
Weight	205g

Dimension (Unit: mm)



Audio Output



Solution Reference

