

DS-1602ZJ-R/B

Wall mount for PTZ camera with built-in audio, alarm and blue & red light



- Die-casting aluminum alloys with powder coating on the surface
- Safety rope for easy and safe installation
- Camera connects with the bracket via alarm output interface, and controls the alarm light and buzzer to warn the intruders
- Supports red and blue warning light for strong light within 100 m
- Supports warning audio of up to 50 dB with a built-in buzzer, covering a range of 30 m

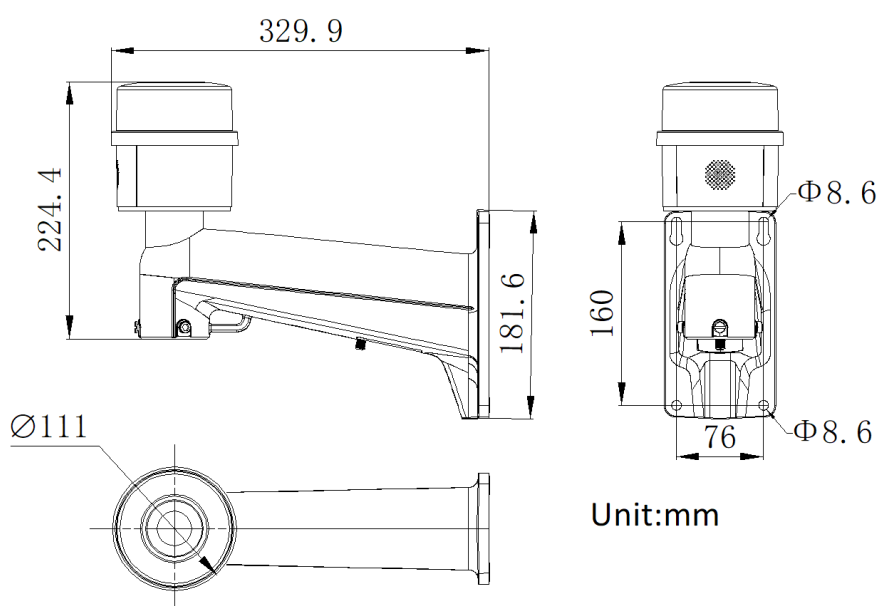
▪ **Specification**

Parameters	
Weight	Approx. 1430 g
Appearance	White
Material	Aluminum Alloy
Dimension	264 mm × 88.6 mm × 179.4 mm (10.39" × 3.49" × 7.06")
Power	12 VDC ± 25%, 0.4 A, max. 4.8 W
Alarm	1 alarm in (triggers audio and light alarm)

▪ **Available Model**

DS-1602ZJ-R/B

▪ **Dimension**



Headquarters

No.555 Qianmo Road, Binjiang District,
Hangzhou 310051, China
T +86-571-8807-5998
www.hikvision.com



Follow us on social media to get the latest product and solution information.

