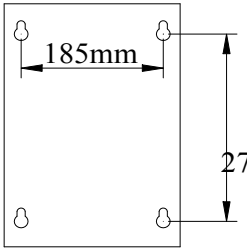
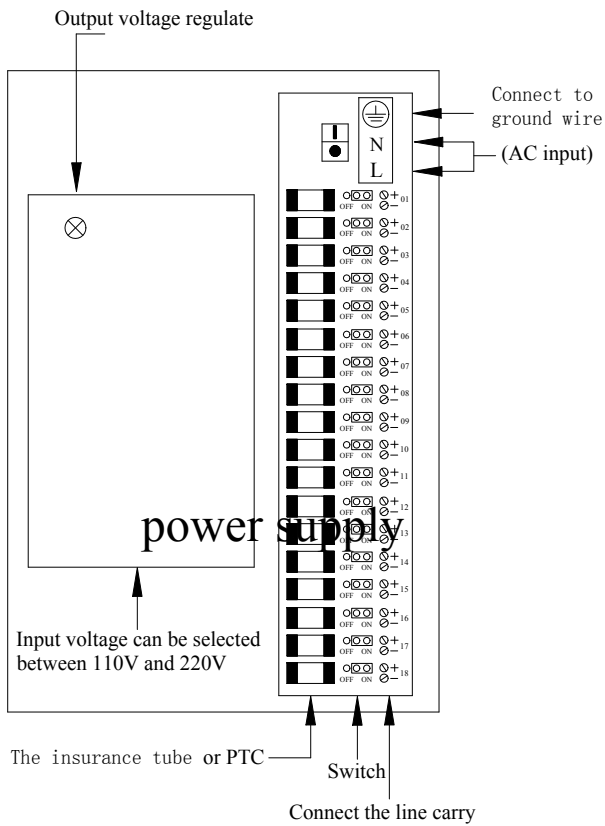


1. Installation



2. Connecting Instructions



3. Function Description

Input Voltage: AC 100-240V
 Input Frequency: 50/60Hz
 Output Voltage: DC 12V
 Total Output Power: 250W
 Total Outputs: 18
 Fuse Type: PTC (Resettable)

4. Protection Measure

General Protection: each output has individual PTC fuse and LED indicator, when problem occurs, only affect the individual output, other outputs still working.

Circuit Short Protection: when short condition occurs, individual PTC fuse will open the circuit, when condition removed, PTC fuse will automatically back to close.

High Voltage Protection: when high voltage occurs, the surge protection will be hit through to protect the connected device.

Over Current protection: when over current occurs, the power supply will automatically switch to self-protection status, when condition removed, then switch back to normal.

5. Application

CCTV Camera, PTZ, IR Illuminators, Video Process Equipment, etc. Access Control Reader, Lock, Panel, etc.

6. Use Guide

Please Indoor Use
 Please check other firmware whether it is loose or not, before using it.
 Must keep effective grounding
 ⚠ Must keep "L, N" input line connected correctly, input voltage should be AC110V -- 220V.

7. Cabinet Dimension:

L*W*H: 315mm*222mm*62mm

8. Packing Dimension:

L*W*H: 335mm*240mm*76mm

9. Weight: 3.20kg