

GSMV4G / GSMVCN4G, and IGSMV4G / IGSMVCN4G GSM Communicators – Quick Installation Guide

For Online Support visit: <http://www.security.honeywell.com/hsc/resources/MyWebTech/>

General Information and Component Identification

Congratulations on your purchase of Honeywell's GSMV4G or IGSMV4G communicator (GSMVCN4G, and IGSMVCN4G in Canada). These communicators send alarms and messages from the security system's control panel to AlarmNet for subsequent transfer to the central monitoring station.

In addition to alarm reporting, they provide two-way voice communications with the central station (when used with Honeywell's [AVS Audio Verification System](#)). They also provide upload/downloading capability of Honeywell's control panel programming data. Refer to the *Installation and Setup Guide* for the use of these features.

NOTE: Two-way voice is not compatible with Honeywell Commercial Control Panels (such as the VISTA-128/250 series).

UL / ULC Two-way voice has not been evaluated by UL / ULC.

The IGSMV4G communicator has all of the features of the GSMV4G and adds internet connectivity. (For Canada, the GSMVCN4G and the IGSMVCN4G are designed to comply with Canadian GSM connectivity specifications.) These communicators represent the most innovative communication technology for the security industry and use sophisticated encryption to ensure the highest level of security.

Since this guide covers both models, where differences occur they will be noted. This guide addresses a simple installation using default programming values where possible and is applicable for the majority of installations. For detailed information on UL, ULC, and configuration of remote services, please refer to the appropriate *Installation and Setup Guide* for the product. The GSMV4G and the IGSMV4G are henceforth referred to as the communicator or communications module.

- The communicator requires an AlarmNet account. For new installations, please obtain the account information from the central station prior to programming.
- The communicator is for control panels that support GSM or IGSM communicators and the ECP communications bus. For control panels that do not support ECP, refer to the appropriate installation guide to use other communicator modes.
- The control panel treats the communicator as an ECP device, so ensure to program the control panel with the communicator's device address. Refer to the control panel's *Installation and Setup Guide* for details.

REMOTE SERVICES

Honeywell offers secure web based services that enable users to remotely monitor and control their security system. These web services enable users to; monitor and control their security system from a website or smartphone, receive email notifications of system events, and receive event confirmations.

1. Determine Signal Strength and Select a Location

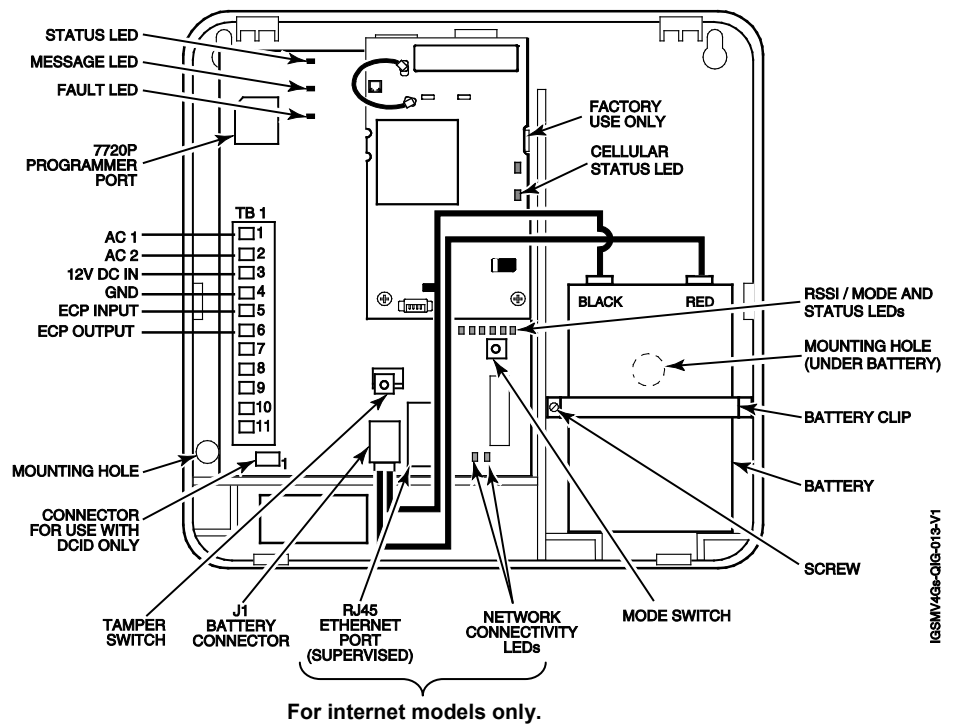
The communicator must be mounted indoors. When choosing a suitable mounting location, understand that signal strength is very important for proper operation. For most installations using the internal antenna, mounting the unit as high as practical, and avoiding large metal components provides adequate signal strength for proper operation.

In this step, you will use the communicator to determine signal strength in order to find a suitable mounting location.

Note: If the SIM is already activated, the RSSI signal strength indicators will indicate signal strength. (The SIM in the GSMVCN4G and IGSMVCN4G is already activated.) If the SIM has not been activated, the firmware in the communicator enables it to communicate with the cellular network towers (without the SIM being activated) so that signal strength measurements can be determined. In this case, you can display the signal strength by simultaneously pressing the TAMPER and MODE switches. Allow at least 60 seconds for a reading to establish.

Dealers can enroll their customers for "Remote Services" by using the AlarmNet Direct website. Once enabled, the specific programming fields associated with these features can be programmed into the communications device either remotely using the AlarmNet Direct website or locally using the 7720P programming tool.

Due to Honeywell's continuing effort to improve our products, your device may look slightly different than pictured.

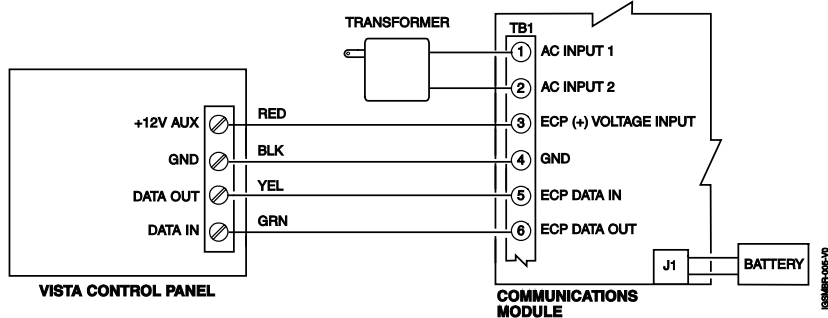


POWER LOADING SPECIFICATIONS

GSMV4G / GSMVCN4G: 65mA standby, 380mA active.
IGSMV4G / IGSMVCN4G: 65mA standby, 380mA active.

2. Mount and Wire the Communicator

- Locate the case back over the selected mounting position such that the opening in the case back is aligned with the wire/cable opening on the mounting surface.
- Pass the wires/cable through the opening in the case back, or route through the removable side knockouts located on the back cover. Then secure the case back to the mounting surface using four screws (supplied). Make the following connections:

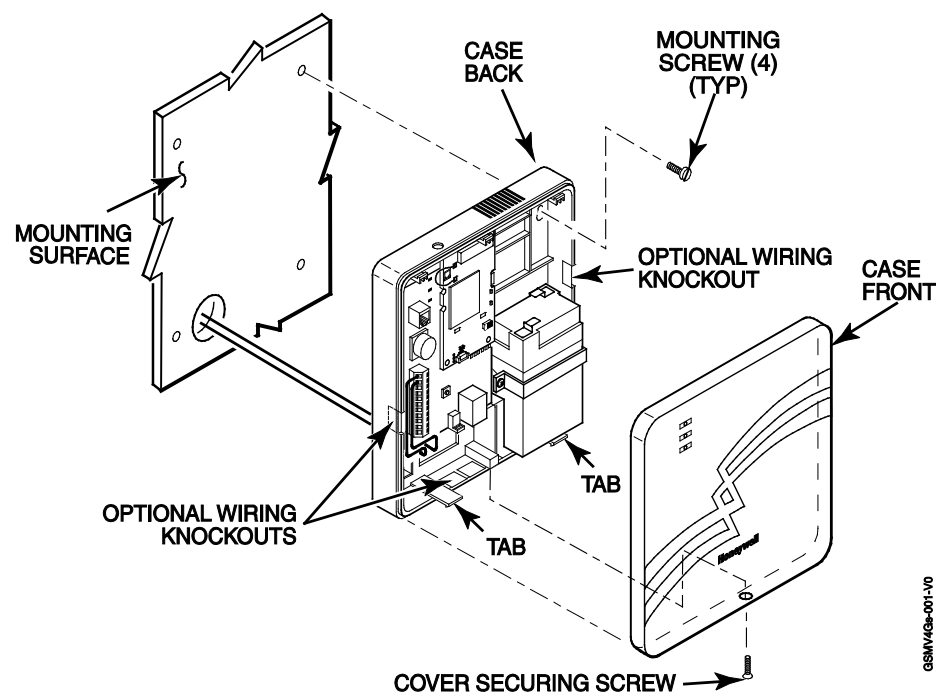
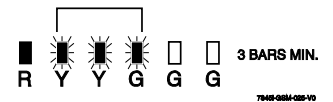


Distance from Control Panel	Minimum Wire Gauge	Distance from Control Panel	Minimum Wire Gauge
75 ft (23m)	#22	170 ft (52m)	#18
120 ft (37m)	#20	270 ft (82m)	#16

- When all wiring has been completed (including the Internet cable if used), attach the case front. Position the top first, then press the bottom section until it snaps in place. Secure bottom using the supplied cover screw. (Required for UL installations.)
- You may power up the communicator and control panel.

Note: Read and follow the RF Exposure notice on the other side.

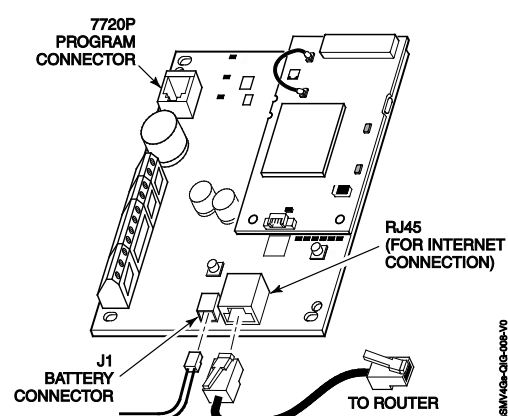
- Unpack the communicator and open the case by pushing in the two bottom tabs with a screwdriver while separating the case front.
- Temporarily connect the AC transformer or battery to the communicator.
- Choose the installation site with the **best signal strength** by observing the signal strength (RSSI) bar graph. Signal strength should be within 3-5 bars. The best signal strength is usually found at the highest point in the building, near a window.
- Mark the location for the communicator.



3. Connect the Internet Cable (IGSMV4G / IGSMVCN4G only)

Connect one end of the Ethernet cable (Category 5) to the communicator's RJ45 Ethernet connector and the other end to the cable/DSL router as shown in the figure.

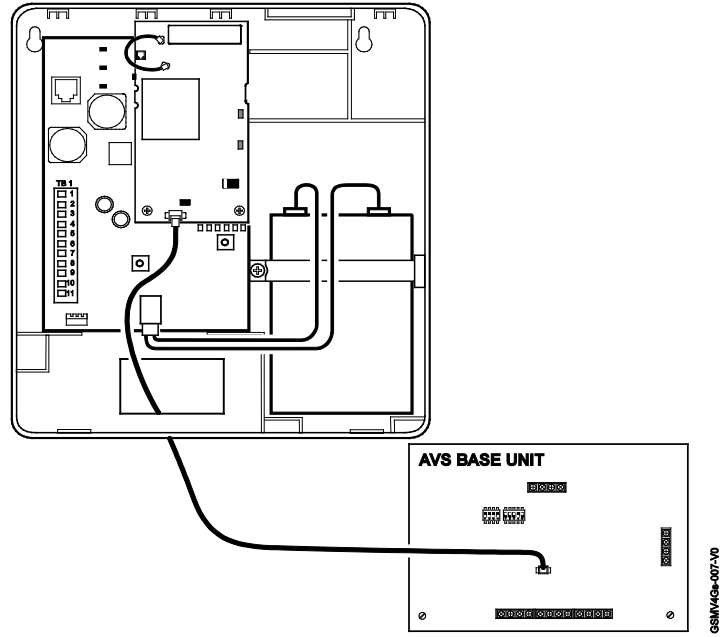
- For UL installations, the Ethernet connection between the communicator and the router cannot exceed 12 feet. Both units must be located within the same room.
- Use a Listed cable/DSL router suited for the application.



4. Connect and Route the Audio Cable for Two-way Voice (if used)

The communicator requires an optional audio cable (GSMV-AUDIO, grey) to support two-way voice using an AVS Base Unit. Note the AVS Base Unit is part of Honeywell's **AVS Audio Verification System**. This system consists of the AVS Base Unit, Remote Station, and the Remote Station PC board. For detailed information, please refer to the AVS Audio Verification System documentation. Follow the guidelines below for connecting the audio cable.

1. Power down the communicator, control panel and AVS Audio Verification System. (When the communicator is fully wired up, restore power to the control panel and AVS Audio Verification System.)
2. Connect one end of the audio cable to the audio connector located on the small PC board.
3. Route the audio cable to the connector on the AVS Base Unit and connect the cable.
4. Ensure the audio cable ends are secured with tie wraps to reduce strain.



5. Setup the Account, Activate the SIM, Program, and Register the Communicator

SETUP THE ACCOUNT

To setup the customer account you will need to contact the central monitoring station to get account information, and have access to the AlarmNet Direct website. To access the AlarmNet Direct website visit – <https://services.alarmnet.com/AlarmNetDirect>

If you do not wish to use the AlarmNet Direct website, you may call AlarmNet to setup the account; just phone 800-222-6525, then select option 1. (Monday–Friday 8:00 am to 9:00 pm, Saturday 9:00 am to 5:30 pm EST)

Have the following information ready:

- Primary City ID (two digits), obtained from your monitoring station.
- Primary Subscriber ID (four digits), obtained from your monitoring station.
- Primary Central Station ID (two digits), obtained from your monitoring station.
- Communicator's MAC ID, and MAC CRC number is located on the box and inside the communicator.

ACTIVATE THE SIM

Note: The communicator comes with a SIM (Subscriber Identity Module) that needs to be activated. The GSMVCN4G and IGSMVCN4G come already activated.

To activate the SIM, log into the AlarmNet Direct website. (Refer to the online help if needed.) Enter the required information, then activate the SIM.

PROGRAM THE COMMUNICATOR

Using the AlarmNet Direct website:

Log in as you did to activate the SIM and complete the communicator programming using the "Program New Device GSM/I" tool. (Refer to the online help if needed.)

When complete you may log out of the AlarmNet Direct website.

Using the 7720 Programming Tool:

Ensure the system is powered up and connect the programming tool to the communicator. Accept all default settings except the following prompts which need to be answered. Then exit the programming mode.

Device Mode (ECP)	Press [#].
Primary City ID (??)	Enter number 01-99, then press [#].
Primary CS ID (??)	Enter number 01-FE, then press [#].
Primary Sub ID (????)	Enter number 0001-9999, then press [#].
Device Address (03)	Accept the default by pressing [#], or change if this address is already used.

The following prompt appears for the IGSMV4G and IGSMVCN4G only.

Notify Panel of Neither Fault	Press [*] to scroll, choose Notify Panel of Both IP&GSM Flts, then press [#].
-------------------------------	---

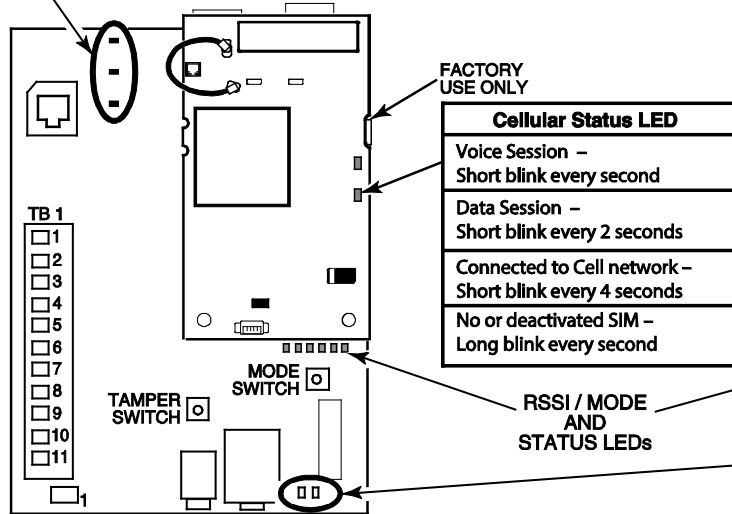
REGISTER THE COMMUNICATOR

Registering the communicator activates the account with AlarmNet and enables the control panel to send reports. There are three ways to register the communicator:

- You can register by logging into AlarmNet Direct choosing "Show Programmed Devices GSM/I" tool. Search for the account using the Account Information or MAC ID. Under the "Actions" column, use the pulldown menu select "Register" the account.
- After the communicator is installed and programmed, you can register by clicking the Tamper Switch 3 times.
- After the communicator is installed and programmed, you can register by using the 7720P Programming tool. Simply: Press [Shift] then press [↑]. Please wait for "Registration SUCCESS" message.

Note: If all LEDs FAST BLINK in unison with the RSSI LEDs this indicates a Hardware Error.

GRN ■	ON – NOT registered with AlarmNet. OFF – Registered with AlarmNet. FAST BLINK – Download session with Compass in progress. SLOW BLINK – In unison with yellow LED, registration in progress.
YEL ■	ON – Message transmission pending. QUICK PERIODIC BLINK – Normal. FAST BLINK – Message waiting for network ACK. SLOW BLINK – Idle power abnormal. SLOW BLINK – In unison with green LED, registration in progress.
RED ■	ON – No contact with network. OFF – Normal. SLOW BLINK – Loss of communication with the panel (ECP fault). FAST BLINK – No network contact AND loss of communication with the panel.



MODULE'S RECEIVED SIGNAL STRENGTH (RSSI)		
When the Mode Switch is NOT depressed, LED 1 will illuminate red.		
• The remaining LEDs indicate RSSI (Received Signal Strength).		
MODULE'S OPERATION MODE		
When the Mode Switch IS depressed, LED 1 will be OFF.		
• LEDs 2 and 3 indicate the module's communication mode with the control panel.		
Mode	LED 2 (yellow)	LED 3 (yellow)
ECP	OFF	OFF
Zone	ON	OFF
4204	OFF	ON
2 - 4204	ON	ON
MODULE'S STATUS		
When the Mode Switch IS depressed, LED 1 will be OFF.		
• LEDs 4, 5, and 6 indicate the module's Status.		
LED 4 (green)	LED 5 (green)	LED 6 (green)
ON - Connected to Internet.	ON - GPRS service available.	ON - Module registered, no second site available.
OFF - Not connected to Internet.	OFF - No GPRS service available.	OFF - Module not registered with network carrier.
Note: This LED is functional on the Internet models only.	FAST BLINK - GPRS in use.	SLOW BLINK - Module registered, second site available, and low signal strength.
		NORMAL BLINK - Module registered, second site available, acceptable signal strength.
		FAST BLINK - Module registered, second site available, excellent signal strength.

For Internet models only.

Ethernet Link/Activity GREEN	ON – Link detected. OFF – No link detected. BLINKS – Network activity.
Link Speed GREEN	ON – 100 MB/S link to Internet. OFF – 10 MB/S link to Internet.

IGSMV4Gs-QIG-010-V1

RF Exposure

Warning – The internal or external antenna(s) used with this product must be installed to provide a separation distance of at least 7.8 in. (20 cm) from all persons and must not be co-located or operating in conjunction with any other antenna or transmitter except in accordance with FCC multi-transmitter product procedures.

Mise en Garde

Exposition aux Fréquences Radio: L'antenne (s) utilisée pour cet émetteur doit être installée à une distance de séparation d'au moins 7,8 pouces (20 cm) de toutes les personnes.

Honeywell

2 Corporate Center Drive, Suite 100, P.O. Box 9040, Melville, NY 11747
Copyright © 2012 Honeywell International Inc. www.honeywell.com/security

WARRANTY

For the latest warranty information go to:
<http://www.security.honeywell.com/hsc/resources/wa/>



800-11796 5/12 Rev. D