

DIRECT WIRE DOWNLOAD CONNECTION USING A MODEM

This set of instructions is provided to establish a means to do on site downloading to panels using a modem rather than a 4100SM serial interface.

This is useful for:

- Panels that normally use a 4100SM; if you don't happen to have one.
- Panels that otherwise cannot be direct wire downloaded.
(4110DL/XM rev6+, V10se, V20se, Via30Pse, V15, V15P, V20p, and equivalents).
- Panels listed above have been tested. Other panels that meet the guidelines below should work, but have not been tested.

Some guidelines:

1. The panel **MUST** have the ability to be downloaded from a remote PC.
2. Panel must have the ability to do Telco handoff using [Installer Code] + # + 1
3. If the modem is an Ademco CIA 2400 – it requires a special connection and configuration different than that outlined below – see page 2 for schematic and proper wiring connections.
4. If panel is a Vista-15P or Vista-20P – they also require the special configuration on page 2 regardless of the type modem being used.

You will need:

1. An approved modem for use with Ademco panels. (if modem is Ademco CIA – see page 2 for special CIA configuration)
2. Downloader PC/Laptop capable of using approved modem and Compass software with (preferably) a standard on board serial port.

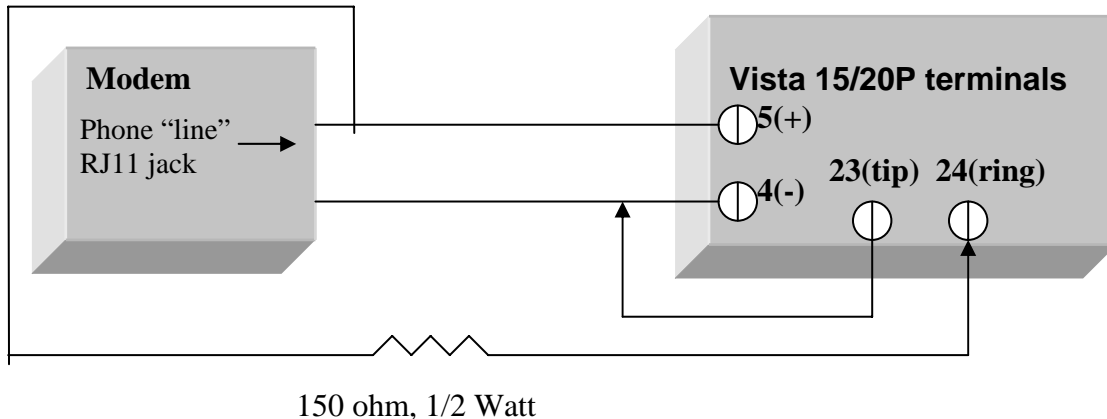
NOTE: If attempting to use USB to serial converters – see official comments on page 3.

3. Standard length of phone cord with RJ-11 plugs.

Do the following: (if using standard non CIA modem and non Vista 15p/20p panel)

1. Plug the phone cord into the Line side of the modem.
2. Strip the other end of the phone cord down to tip and ring (typically red and green or the middle pair) and attach it to the incoming phone line terminals of the panel (be sure to remove any existing phone lines, both incoming and house phones)
3. Open compass and the account you have programmed for the panel.
4. Go to the communications section of the software and select “Initiate from Telco” (and other settings) then click “connect” – this will prepare the modem and generate a message box with an “OK” button on the communications screen
5. Enter [Installer Code] + # + 1 on the panel keypad, a message of “Modem Comm” or “CC” should appear on the keypad, wait just a couple of seconds and click the “OK” button on the PC
NOTE: It may occasionally be necessary to place a random number in the “download phone” field of the control panel prior to performing this step.
6. Modem and panel should begin to communicate as if you had called from a remote site with the PC - allowing uploads and downloads of panel information.

Direct connect download with CIA 2400 on ANY panel OR any other modem with Vista-15p/20p



Do the following: if using Ademco CIA 2400 modem and/or downloading Vista 15p/20p panel with any Compass approved modem

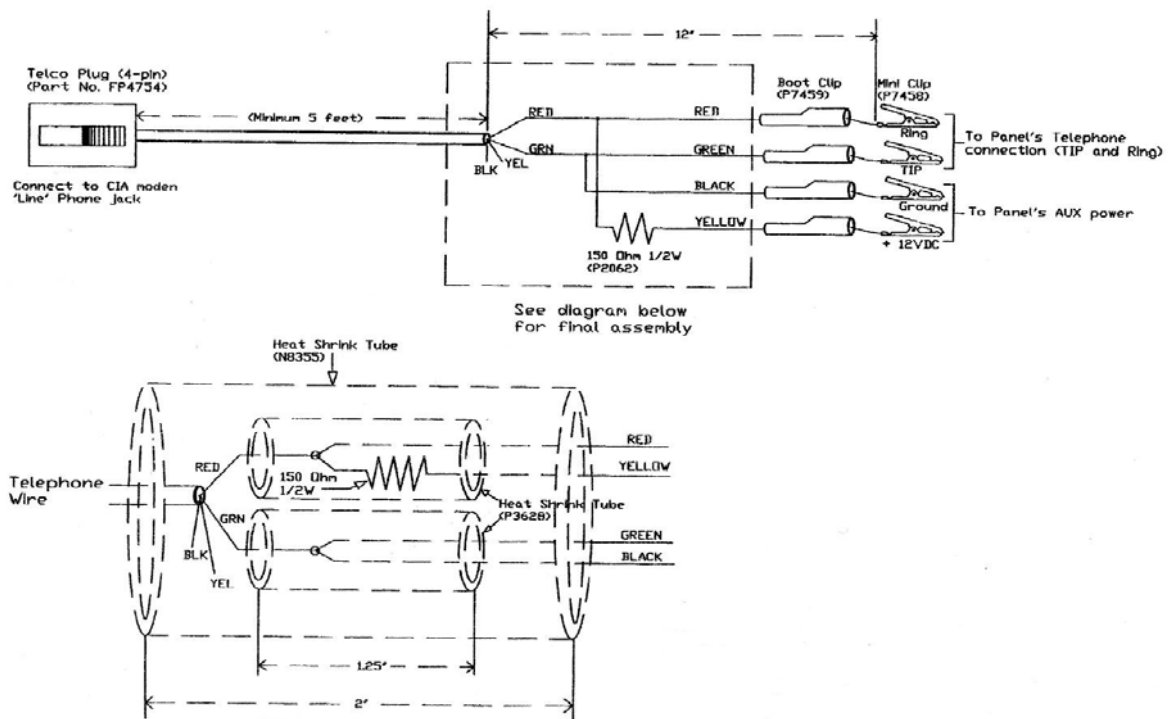
1. Connect a Jumper wire between the control panel "incoming phone line terminals" and the modem LINE jack. (modem side will require an RJ-11 plug)
 2. Connect a 150 ohm, 1/2 watt resistor between RING terminal on the panel, and (+) DC positive Aux power on the panel.
 4. Connect a jumper between TIP terminal on the panel, and (-) DC negative on the panel.
 5. Open compass and the account you have programmed for the panel.
 6. Go to the communications section of the software and select "Initiate from Telco" (and other settings) then click "connect" – this will prepare the modem and generate a message box with an "OK" button on the communications screen
 7. Enter [Installer Code] + # + 1 on the panel keypad, a message of "Modem Comm" or "CC" should appear on the keypad, wait just a couple of seconds and click the "OK" button on the PC
- NOTE: It may occasionally be necessary to place a random number in the "download phone" field of the control panel prior to performing this step.
8. Modem and panel should begin to communicate as if you had called from a remote site with the PC - allowing uploads and downloads of panel information.

SPECIAL NOTES:

If using an Ademco CIA modem it MUST have been manufactured after Jan 2002 – these modems will be marked on the bottom with "CIA-EU" or have a date code of E001 or higher. The date code is located on the printed circuit board of the modem. You must remove the cover to view it.

WATELCO Cable Diagram

This configuration will work with Hayes modems, AND the INTERNATIONAL CIA, or ANY CIA manufactured after January 2002. .



Below is Honeywell's official statement concerning the use of USB TO SERIAL adapters with Compass downloader

The Universal Serial Bus connection may be used in conjunction with 3rd party, USB to serial conversion products.

Honeywell only indirectly supports these applications, and has had success with the following:

1. Keyspan: High Speed USB Serial Adapter for WINDOWS (<http://www.keyspan.com/>), This unit has been tested, and is approved in WINDOWS XP and 2000 only, for direct connect, via the 4100SM, and the CIA modem, when emulating COM 1 - COM 4.
2. Hawking: HUC232S, this adapter has been tested with Windows XP Pro. SP2 only. It has worked in all circumstances **except when using Callback for downloading. If you must use callback and a USB adapter, we recommend the Keyspan adapter listed above.**