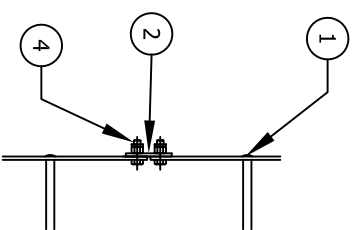
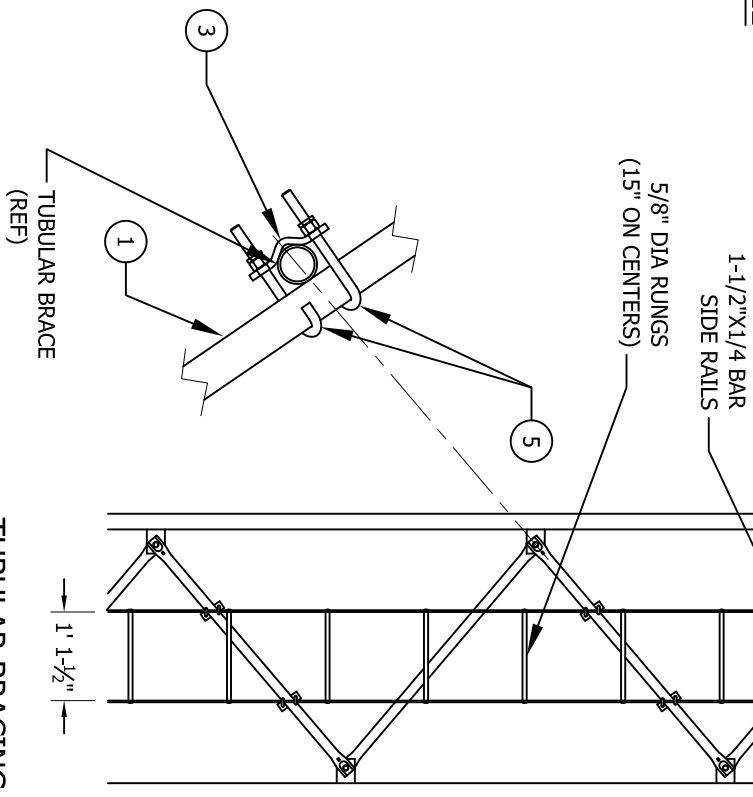


ASSEMBLY P/N		ITEM QTY.	PART #	DESCRIPTION
NL20FT		1	NL20	LADDER 20' STD 1.13' 15"OC
		2	KY95	PLATE SPLICE .25X1.5X3.5in.
		3	KH91	SADDLE CLAMP NO. 25 WINCH HDG
		4	210018GA	BOLT ASSY 1/2X1-1/2 HSB A325
		5	J44AA	J-BOLT ASSY 3/8 X3-1/16 HDG
ASSEMBLY P/N		ITEM QTY.	PART #	DESCRIPTION
NL10FT		1	NL10	LADDER 10ft. STD 1.13ft. WIDE
		2	KY95	PLATE SPLICE .25X1.5X3.5in.
		3	KH91	SADDLE CLAMP NO. 25 WINCH HDG
		4	210018GA	BOLT ASSY 1/2X1-1/2 HSB A325
		5	J44AA	J-BOLT ASSY 3/8 X3-1/16 HDG

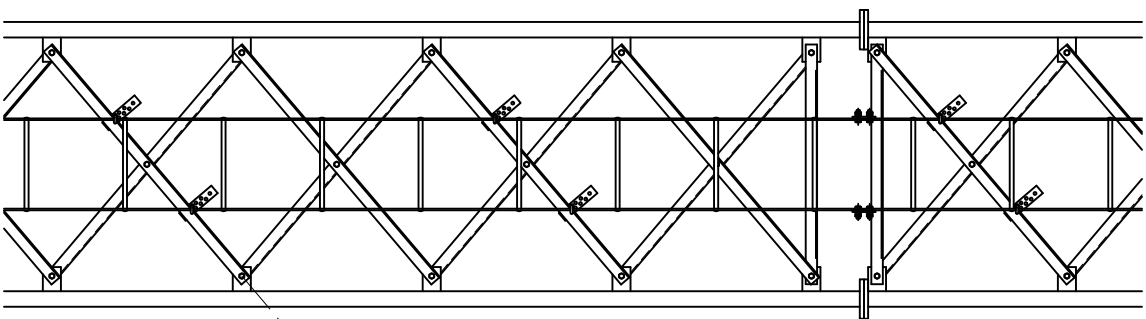
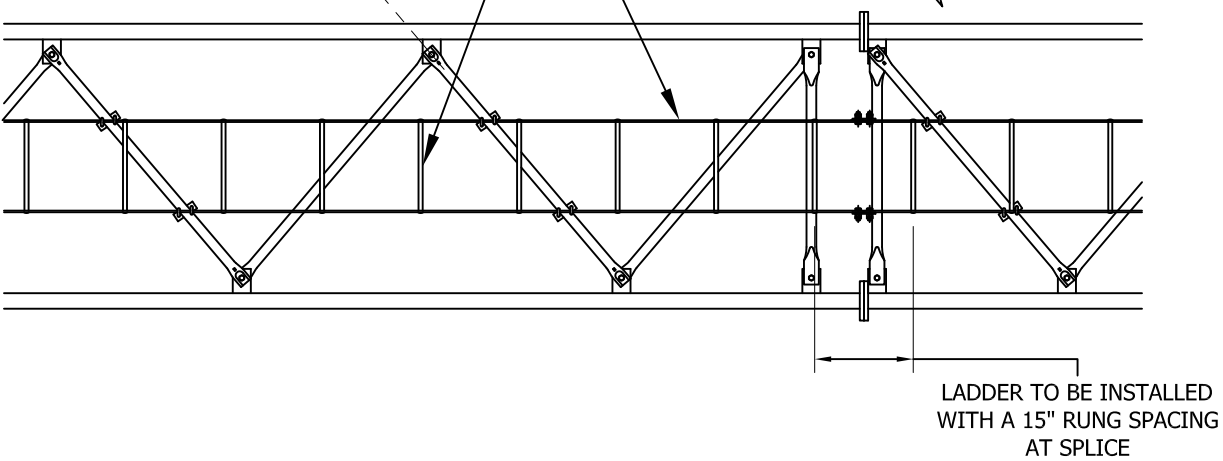
- GENERAL NOTES**
- LADDER CAN BE MOUNTED INSIDE OR OUTSIDE OF TOWER AS REQUIRED.
 - QUANTITIES LISTED ARE FOR ONE LADDER SECTION ONLY.
 - SPACE CLAMPS AND CLIPS AS SHOWN.
 - AN ADDITIONAL 10' OF LADDER IS PROVIDED FOR ALL TOWERS 200' AND TALLER. LADDER TO BE FIELD CUT TO PROPER LENGTH AFTER ASSEMBLY.
 - PAL NUTS ARE PROVIDED FOR ALL BOLTS. SEE DRAWING A790135 FOR BOLT ASSEMBLY INSTALLATION
 - IT IS RECOMMENDED THAT A SAFETY DEVICE BE PROVIDED WITH LADDER INSTALLATIONS FOR ADDED CLIMBER SAFETY.
 - ALL DRAWINGS SUBMITTED ARE LATEST REVISIONS.



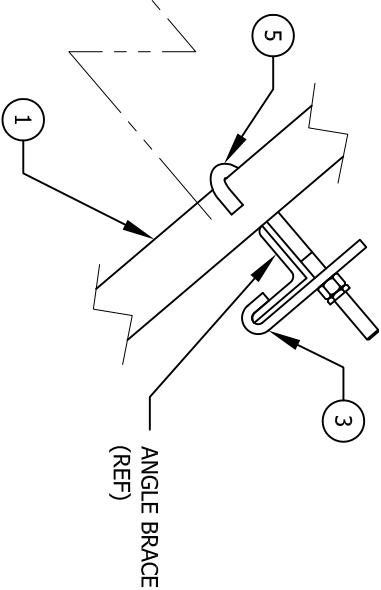
SPLICE DETAIL



TUBULAR BRACING



ANGULAR BRACING



CLIP ASSY ORDERING INFORMATION
 ORDER (2) CLIP ASSY'S FOR ALL 10' TOWER SECTIONS &
 FOR 20' 2 BAY TOWER SECTIONS
 ORDER (4) CLIP ASSY'S FOR ALL OTHER 20' TOWER SECTIONS

CLIP ASSY P/N	ANGLE BRACE SIZE	LADDER CLIP (2 REQ'D)	J-BOLT ASSY (2 REQ'D) P/N
KY695	L 1-1/2	H184	J51A
KY695	L 1-3/4	H184	J51A
KY695	L 2	H184	J51A
KY695	L 2-1/2	H184	J51A
KY1287A	L 3	H184	J107A
KY1287A	L 3-1/2	H184	J107A
KY1287A	L 4	H184	J107A
KY2228A	L 5	H184	J164A

ASSEMBLY P/N		ITEM QTY.	PART #	DESCRIPTION
NL20FA		1	NL20	LADDER 20' STD 1.13' 15"OC
		2	KY95	PLATE SPLICE .25X1.5X3.5in.
		3	REF	SEE CHART
		4	210018GA	BOLT ASSY 1/2X1-1/2 HSB A325
		5	REF	SEE CHART
ASSEMBLY P/N		ITEM QTY.	PART #	DESCRIPTION
NL10FA		1	NL10	LADDER 10ft. STD 1.13ft. WIDE
		2	KY95	PLATE SPLICE .25X1.5X3.5in.
		3	REF	SEE CHART
		4	210018GA	BOLT ASSY 1/2X1-1/2 HSB A325
		5	REF	SEE CHART

FILE NO.

Standard-SSV

REV.	DESCRIPTION	DWN	CHK	APP
17	REBRWNN INTO AUTOCAD		JDM	HA
	DATE: Aug/10/2005			

DWG REFERENCE	

ROHN
 PRODUCTS
 6718 WEST PLANK ROAD
 PEORIA, IL 61604
 TOLL FREE 800-727-ROHN

THIS DRAWING IS THE PROPERTY OF ROHN. IT IS NOT TO BE REPRODUCED, COPIED OR TRACED IN WHOLE OR IN PART WITHOUT OUR WRITTEN CONSENT.

LADDER
 FACE MTD FOR GUYED & SSV TWRS

DWN:	CHK'D:	DATE:
RWM	WDU	Dec/05/1974
ENGR:	CW	
DRAWING NO:	C700227	REV:
		17