



American Earth Anchors

The best screw you will have in the dirt™

americanea.com

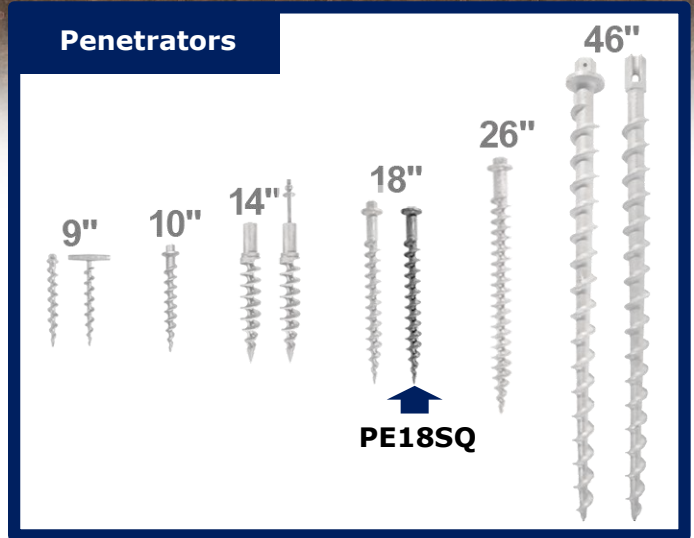
QUICK REFERENCE

PE18SQ | Specifications

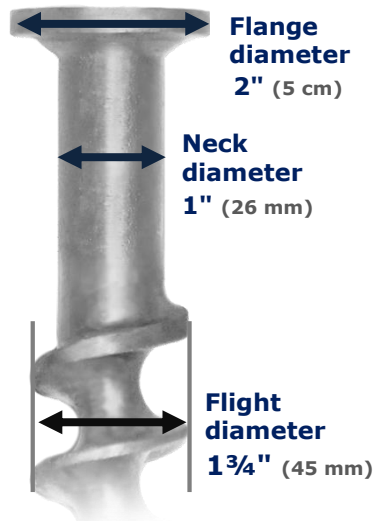
18" Penetrator™ with square-drive (flat) head

- Aircraft-quality cast aluminum 356 alloy
- Heat-treated to T6 specification
- Install with 1/2" square drive
- Removable

1.3 lb
(.6 kg)



18"
(46 cm)



Flange diameter
2" (5 cm)

Neck diameter
1" (26 mm)

Flight diameter
1 3/4" (45 mm)

Fits 1/2" square drive



LOAD CAPACITY

Pullout strength with flight fully embedded

	Soil Class 1 Dense sand or gravel	Soil Class 2 Medium sandy gravel	Soil Class 3 Loose medium-to-fine sand	Soil Class 4 Loose fine un-compacted sand
Hardpan or asphalt	2,500 lb 11.1 kN	1,700 lb 7.56 kN	600 lb 2.67 kN	350 lb 1.56 kN
	200 lb 0.89 kN			

©2015 American Earth Anchors
QR-PE18SQ Mar 2015



American Earth Anchors
info@americanea.com

americanea.com

Contact us for CUSTOM WORK

Size, length, shape, material,
prototypes, cable assemblies



866-520-8511



+1 508-520-8511

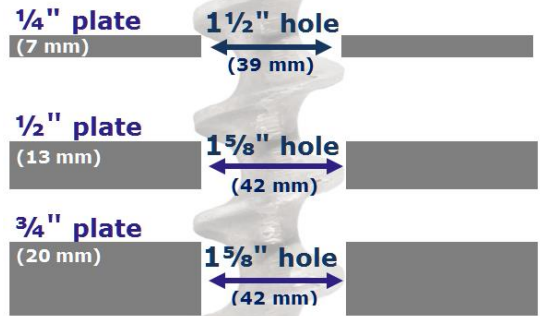
Through asphalt

Drill **PILOT HOLE** through asphalt

1" (2.5 cm) diameter hole



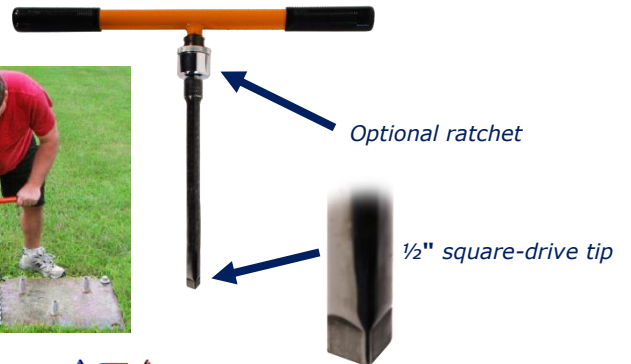
Through metal plate



Installation methods



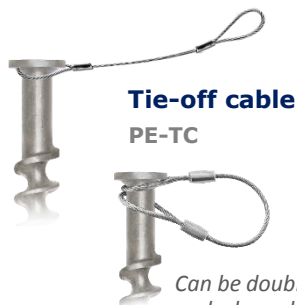
Impact wrench



T-handle

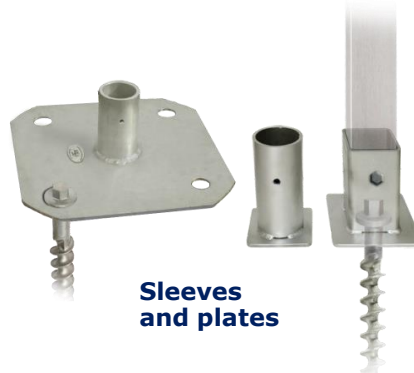
Attachment accessories

Contact us for custom bracket/sleeve sizes and designs

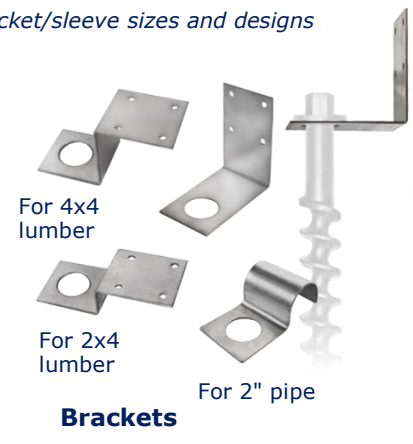


Tie-off cable
PE-TC

Can be doubled over to make large loop around structural member



Sleeves and plates



For 4x4 lumber

For 2x4 lumber

For 2" pipe

Brackets

