



americanea.com

American Earth Anchors

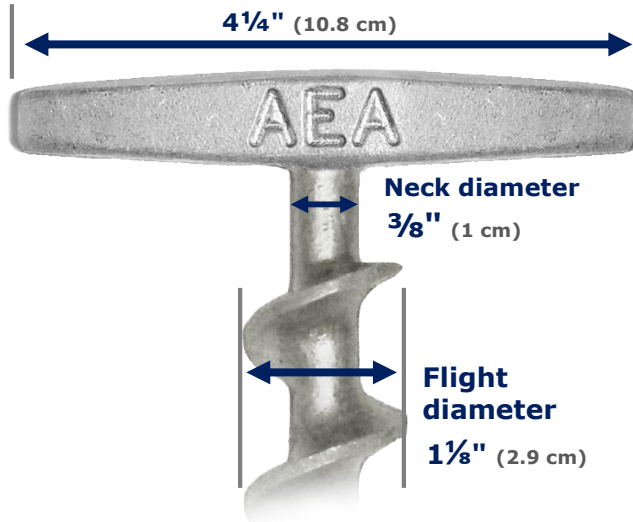
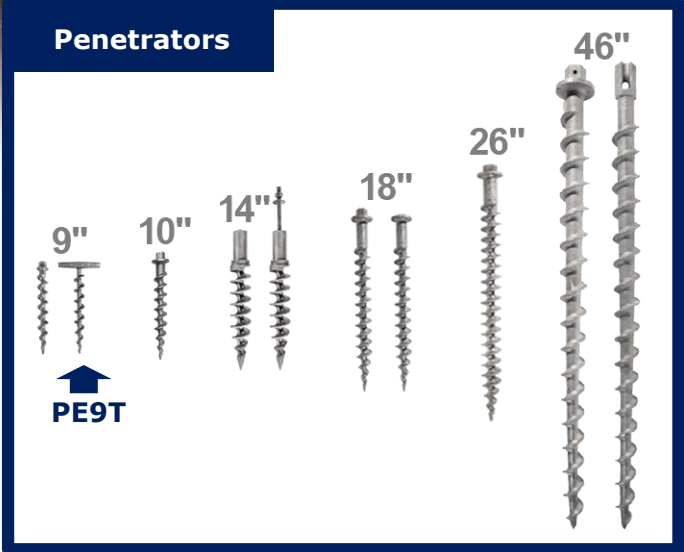
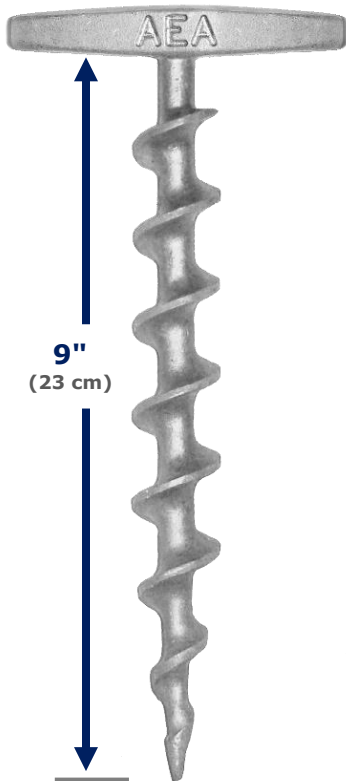
The best screw you will have in the dirt™

QUICK REFERENCE

PE9T | Specifications

9" Penetrator™ with T-handle

- Aircraft-quality cast aluminum 356 alloy
- Heat-treated to T6 specification
- Removable



LOAD CAPACITY

Pullout strength with flight fully embedded



	Soil Class 1 Dense sand or gravel	Soil Class 2 Medium sandy gravel	Soil Class 3 Loose medium-to-fine sand	Soil Class 4 Loose fine un-compacted sand
Hardpan or asphalt	400 lb 1.78 kN	200 lb 0.89 kN	100 lb 0.44 kN	100 lb 0.44 kN
			Less than 100 lb 0.44 kN	Less than 100 lb 0.44 kN

©2015 American Earth Anchors
QR-PE9T Mar 2015



American Earth Anchors
info@americanea.com
americanea.com

Contact us for CUSTOM WORK

Size, length, shape, material,
prototypes, cable assemblies



866-520-8511



+1 508-520-8511

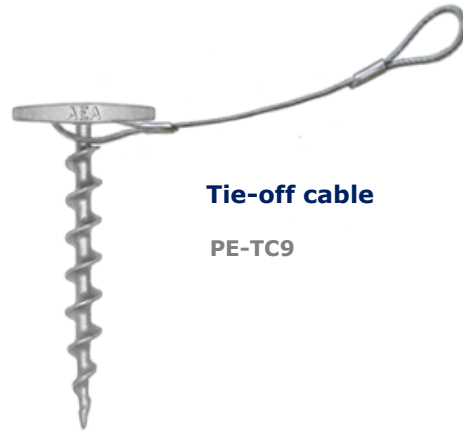
PE9T | Installation

Installation method



By hand

Attachment accessory



Tie-off cable
PE-TC9



Camp tent



Plant support



RV awning



Dog tie-out



Beach shelter



Event tent

