

ePMP™ 1000 Hotspot Connectorized Radio User Guide

System Release 1.0

- Product Description
- Configuration
- Operation and Troubleshooting

Accuracy

While reasonable efforts have been made to assure the accuracy of this document, Cambium Networks assumes no liability resulting from any inaccuracies or omissions in this document, or from use of the information obtained herein. Cambium reserves the right to make changes to any products described herein to improve reliability, function, or design, and reserves the right to revise this document and to make changes from time to time in content hereof with no obligation to notify any person of revisions or changes. Cambium does not assume any liability arising out of the application or use of any product, software, or circuit described herein; neither does it convey license under its patent rights or the rights of others. It is possible that this publication may contain references to, or information about Cambium products (machines and programs), programming, or services that are not announced in your country. Such references or information must not be construed to mean that Cambium intends to announce such Cambium products, programming or services in your country.

Copyrights

This document, Cambium products, and 3rd Party software products described in this document may include or describe copyrighted Cambium and other 3rd Party supplied computer programs stored in semiconductor memories or other media. Laws in the United States and other countries preserve for Cambium, its licensors, and other 3rd Party supplied software certain exclusive rights for copyrighted material, including the exclusive right to copy, reproduce in any form, distribute and make derivative works of the copyrighted material. Accordingly, any copyrighted material of Cambium, its licensors, or the 3rd Party software supplied material contained in the Cambium products described in this document may not be copied, reproduced, reverse engineered, distributed, merged or modified in any manner without the express written permission of Cambium. Furthermore, the purchase of Cambium products shall not be deemed to grant either directly or by implication, estoppel, or otherwise, any license under the copyrights, patents or patent applications of Cambium or other 3rd Party supplied software, except for the normal non-exclusive, royalty free license to use that arises by operation of law in the sale of a product.

Restrictions

Software and documentation are copyrighted materials. Making unauthorized copies is prohibited by law. No part of the software or documentation may be reproduced, transmitted, transcribed, stored in a retrieval system, or translated into any language or computer language, in any form or by any means, without prior written permission of Cambium.

License Agreements

The software described in this document is the property of Cambium and its licensors. It is furnished by express license agreement only and may be used only in accordance with the terms of such an agreement.

High Risk Materials

Cambium and its supplier(s) specifically disclaim any express or implied warranty of fitness for any high risk activities or uses of its products including, but not limited to, the operation of nuclear facilities, aircraft navigation or aircraft communication systems, air traffic control, life support, or weapons systems ("High Risk Use"). Any High Risk is unauthorized, is made at your own risk and you shall be responsible for any and all losses, damage or claims arising out of any High Risk Use.

© 2015 Cambium Networks Limited. All Rights Reserved.

Safety and regulatory information

This section describes important safety and regulatory guidelines that must be observed by personnel installing or operating ePMP 1000 Hotspot equipment.

Important safety information



Warning

To prevent loss of life or physical injury, observe the safety guidelines in this section.

Power lines

Exercise extreme care when working near power lines.

Working at heights

Exercise extreme care when working at heights.

Grounding and protective earth

Connectorized ePMP 1000 Hotspot devices must be properly grounded to protect against lightning. It is the user's responsibility to install the equipment in accordance with national regulations. In the USA, follow Section 810 of the *National Electric Code, ANSI/NFPA No.70-1984* (USA). In Canada, follow Section 54 of the *Canadian Electrical Code*. These codes describe correct installation procedures for grounding the outdoor unit, mast, lead-in wire and discharge unit, size of grounding conductors and connection requirements for grounding electrodes. Other regulations may apply in different countries and therefore it is recommended that installation be contracted to a professional installer.

Powering down before servicing

Always power down and unplug the equipment before servicing.

Primary disconnect device

The ePMP power supply is the primary disconnect device.

External cables

Safety may be compromised if outdoor rated cables are not used for connections that will be exposed to the outdoor environment.

RF exposure near the antenna

Strong radio frequency (RF) fields will be present close to the antenna when the transmitter is on. Always turn off the power to the ePMP 1000 Hotspot device before undertaking maintenance activities in front of the antenna.

Important regulatory information

The ePMP 1000 Hotspot product is certified as an unlicensed device in frequency bands where it is not allowed to cause interference to licensed services (called primary users of the bands).

Radar avoidance

In countries where radar systems are the primary band users, the regulators have mandated special requirements to protect these systems from interference caused by unlicensed devices. Unlicensed devices must detect and avoid co-channel operation with radar systems.

The ePMP 1000 Hotspot detects and avoids functionality for countries and frequency bands requiring protection for radar systems. The ePMP 1000 Hotspot is qualified for ETSI/FCC DFS certification for radar detection and avoidance as per the law.

Installers and users must meet all local regulatory requirements for radar detection. To meet these requirements, users must set the correct country code during commissioning of the ePMP 1000 Hotspot equipment. If this is not done, installers and users may be liable to civil and criminal penalties.

Contact the Cambium helpdesk if more guidance is required.

USA and Canada specific information

Federal Communication Commission Interference Statement

This equipment has been tested and found to comply with the limits for a Class B digital device, pursuant to Part 15 of the FCC Rules. These limits are designed to provide reasonable protection against harmful interference in a residential installation. This equipment generates, uses and can radiate radio frequency energy and, if not installed and used in accordance with the instructions, may cause harmful interference to radio communications. However, there is no guarantee that interference will not occur in a particular installation. If this equipment does cause harmful interference to radio or television reception, which can be determined by turning the equipment off and on, the user is encouraged to try to correct the interference by one of the following measures:

- Reorient or relocate the receiving antenna.
- Increase the separation between the equipment and receiver.
- Connect the equipment into an outlet on a circuit different from that to which the receiver is connected.
- Consult the dealer or an experienced radio/TV technician for help.



Caution

Any changes or modifications not expressly approved by the party responsible for compliance could void the user's authority to operate this equipment.

This device complies with Part 15 of the FCC Rules. Operation is subject to the following two conditions: (1) This device may not cause harmful interference, and (2) this device must accept any interference received, including interference that may cause undesired operation.

For product available in the USA/Canada market, only channel 1~11 can be operated. Selection of other channels is not possible.

This device and its antennas(s) must not be co-located or operating in conjunction with any other antenna or transmitter except in accordance with FCC multi-transmitter product procedures.

This device is restricted for indoor use.



Note

FCC Radiation Exposure Statement:

This equipment complies with FCC radiation exposure limits set forth for an uncontrolled environment. This equipment should be installed and operated with minimum distance **20 cm** between the radiator & your body.

IC Statement

This device complies with Industry Canada license-exempt RSS standard(s). Operation is subject to the following two conditions: (1) this device may not cause interference, and (2) this device must accept any interference, including interference that may cause undesired operation of the device.

Le présent appareil est conforme aux CNR d'Industrie Canada applicables aux appareils radio exempts de licence. *L'exploitation est autorisée aux deux conditions suivantes : (1) l'appareil ne doit pas produire de brouillage, et (2) l'utilisateur de l'appareil doit accepter tout brouillage radioélectrique subi, même si le brouillage est susceptible d'en compromettre le fonctionnement.*

For product available in the USA/Canada market, only channel 1~11 can be operated. Selection of other channels is not possible.

Pour les produits disponibles aux États-Unis / Canada du marché, seul le canal 1 à 11 peuvent être exploités. Sélection d'autres canaux n'est pas possible.

This device and it's antennas(s) must not be co-located or operating in conjunction with any other antenna or transmitter except in accordance with IC multi-transmitter product procedures.

Cet appareil et son antenne (s) ne doit pas être co-localisés ou fonctionnement en association avec une autre antenne ou transmetteur.

The device for the band 5150-5250 MHz is only for indoor usage to reduce potential for harmful interference to co-channel mobile satellite systems.

les dispositifs fonctionnant dans la bande 5150-5250 MHz sont réservés uniquement pour une utilisation à l'intérieur afin de réduire les risques de brouillage préjudiciable aux systèmes de satellites mobiles utilisant les mêmes canaux;

IC Radiation Exposure Statement:

This equipment complies with IC RSS-102 radiation exposure limits set forth for an uncontrolled environment. This equipment should be installed and operated with minimum distance 20 cm between the radiator & your body.

Cet équipement est conforme aux limites d'exposition aux rayonnements IC établies pour un environnement non contrôlé. Cet équipement doit être installé et utilisé avec un minimum de 20 cm de distance entre la source de rayonnement et votre corps.

CE Statement:

This equipment complies with EU radiation exposure limits set forth for an uncontrolled environment. This equipment should be installed and operated with minimum distance 20 cm between the radiator & your body.

Specific expertise and training required for professional installers

To ensure that the ePMP 1000 Hotspot is installed and configured in compliance with the requirements of Industry Canada and the FCC, installers must have the radio engineering skills and training described in this section. This is particularly important when installing and configuring an ePMP 1000 Hotspot system for operation in the 5 GHz band (5150 – 5250 MHz – FCC only, 5250 – 5350 MHz, 5470 – 5725 MHz and 5725 – 5850 MHz).

Avoidance of weather radars

The installer must be familiar with the requirements in FCC KDB 443999. Essentially, the installer must be able to:

- Access the FCC database of weather radar location and channel frequencies.
- Use this information to correctly configure the product (using the GUI) to avoid operation on channels that must be avoided according to the guidelines that are contained in the KDB and explained in detail in this user guide.

In ETSI regions, the band 5600 MHz to 5650 MHz is reserved for the use of weather radars.

External antennas

When using a connectorized version of the product (as compared to the version with an integrated antenna), the conducted transmit power must be reduced to ensure the regulatory limit on transmitter EIRP is not exceeded. The installer must have an understanding of how to compute the effective antenna gain from the actual antenna gain and the antenna cable losses.

The product GUI automatically applies the correct conducted power limit to ensure that it is not possible for the installation to exceed the EIRP limit, when the appropriate values for antenna gain are entered into the GUI.

Ethernet networking skills

The installer must have the ability to configure IP addressing on a PC and to set up and control products using a web browser interface.

Lightning protection

To protect outdoor radio installations from the impact of lightning strikes, the installer must be familiar with the normal procedures for site selection, bonding and grounding.

Training

The installer needs to have basic competence in radio and IP network installation. The specific requirements applicable to the ePMP 1000 Hotspot must be gained by reading this user guide and by performing sample setups at base workshop before live deployments.

Contents

Safety and regulatory information	3
Important safety information.....	3
Important regulatory information.....	3
Contents	7
About this User Guide	9
Intended Audience	9
Related Documents	9
Version information	9
Contacting Cambium Networks.....	9
Problems and warranty	11
Security advice	12
Warnings, cautions, and notes	12
Caring for the environment.....	13
Product description	14
Overview of ePMP 1000 Hotspot	14
Purpose	14
Key features	14
Command Line Interface (CLI)	16
Overview	16
Example	16
System configuration	17
System	17
Management.....	18
Time settings	20
Event logging.....	21
Onboarding to cnMaestro	23
Overview.....	23
Onboarding Steps	23
Wireless configuration	24
Radio configuration.....	24
Advanced radio settings	25
WLAN configuration.....	27
Configuring RADIUS servers	29
Guest Access	31
Configuring Guest Access.....	31
Network Configuration	34
Ethernet Ports	34
Switched Virtual Interface (SVI).....	36
DHCP Server	36
DHCP Relay	38
DNS Proxy.....	38
Management VLAN Access.....	39
NAT and Port Forwarding	40
Firewall	41
Configuring Firewall.....	41
DNS ACL	41
Configuring DNS ACL.....	41

Firmware management	43
Troubleshooting	45
ePmP Resetting Mechanism by using the external reset button	46
Resetting ePMP to factory defaults by power cycling	47
Legal and reference information	48
Cambium Networks end user license agreement	49
Acceptance of this agreement	49
Definitions	49
Grant of license	49
Conditions of use	49
Title and restrictions	50
Confidentiality	51
Right to use Cambium’s name	51
Transfer	51
Updates	51
Maintenance	51
Disclaimer	52
Limitation of liability	52
U.S. government	52
Term of license	53
Governing law	53
Assignment	53
Survival of provisions	53
Entire agreement	53
Third party software	53
Preamble	57
TERMS AND CONDITIONS FOR COPYING, DISTRIBUTION AND MODIFICATION	58
END OF TERMS AND CONDITIONS	63

About this User Guide

This User Guide describes the features supported by ePMP 1000 Hotspot and provides detailed instructions for setting up and configuring ePMP 1000 Hotspot.

Intended Audience

This guide is intended for use by the system designer, system installer and system administrator.

Related Documents

The ePMP 1000 Hotspot documentation set includes the following:

- *ePMP 1000 Hotspot User Guide*
- *ePMP 1000 Hotspot Connectorized Radio Installation Guide*

Version information

The following shows the issue status of this document:

Issue	Date of issue	Remarks
001v000	September 2015	System Release 1.0 (Software Release 1.0 r10)

Contacting Cambium Networks

Support website:	http://www.cambiumnetworks.com/support
Main website:	http://www.cambiumnetworks.com
Community:	http://community.cambiumnetworks.com
Sales enquiries:	solutions@cambiumnetworks.com
Support enquiries:	support@cambiumnetworks.com
Telephone number list:	http://www.cambiumnetworks.com/support/contact-support/
Address:	Cambium Networks Limited, 3800 Golf Road, Suite 360 Rolling Meadows, IL 60008

Purpose

Cambium Networks ePMP 1000 Hotspot documents are intended to instruct and assist personnel in the operation, installation and maintenance of the Cambium ePMP 1000 Hotspot equipment and ancillary devices. It is recommended that all personnel engaged in such activities be properly trained.

Cambium disclaims all liability whatsoever, implied or expressed, for any risk of damage, loss or reduction in system performance arising directly or indirectly out of the failure of the customer, or anyone acting on the customer's behalf, to abide by the instructions, system parameters, or recommendations made in this document.

Cross references

References to external publications are shown in *italics*. Other cross references, emphasized in **green text** in electronic versions, are active links to the references.

Feedback

We appreciate feedback from the users of our documents. This includes feedback on the structure, content, accuracy, or completeness of our documents.

For feedback, e-mail to support@cambiumnetworks.com.

Problems and warranty

Reporting problems

If any problems are encountered when installing or operating this equipment, follow this procedure to investigate and report:

- 1 Search this document and the software release notes of supported releases.
- 2 Visit the support website:
<http://www.cambiumnetworks.com/support/epmp>
- 3 Ask for assistance from the Cambium product supplier.
- 4 Gather information from affected units, such as any available diagnostic downloads.
- 5 Escalate the problem by emailing or telephoning support:
<http://www.cambiumnetworks.com/support/contact-support>

Repair and service

If unit failure is suspected, obtain details of the Return Material Authorization (RMA) process from the support website.

Warranty

Cambium's standard hardware warranty is for one (1) year from date of shipment from Cambium or a Cambium distributor. Cambium warrants that hardware will conform to the relevant published specifications and will be free from material defects in material and workmanship under normal use and service. Cambium shall within this time, at its own option, either repair or replace the defective product within thirty (30) days of receipt of the defective product. Repaired or replaced product will be subject to the original warranty period but not less than thirty (30) days.

To register PMP products or activate warranties, visit the support website.

For warranty assistance, contact the reseller or distributor.



Caution

Do not open the radio housing for repair or diagnostics; there are no serviceable parts within the housing.

Portions of Cambium equipment may be damaged from exposure to electrostatic discharge. Use precautions to prevent damage.

Security advice

Cambium Networks systems and equipment provide security parameters that can be configured by the operator based on their particular operating environment. Cambium recommends setting and using these parameters following industry recognized security practices. Security aspects to be considered are protecting the confidentiality, integrity, and availability of information and assets. Assets include the ability to communicate, information about the nature of the communications, and information about the parties involved.

In certain instances Cambium makes specific recommendations regarding security practices, however the implementation of these recommendations and final responsibility for the security of the system lies with the operator of the system.

Cambium Networks ePMP 1000 Hotspot equipment is shipped with default web management interface login credentials. It is highly recommended that the following default username and password should to be modified prior to system deployment.

Username: admin

Password: admin

Warnings, cautions, and notes

The following describes how warnings and cautions are used in this document and in all documents of the Cambium Networks document set.

Warning

Warnings precede instructions that contain potentially hazardous situations. Warnings are used to alert the reader to possible hazards that could cause loss of life or physical injury. A warning has the following format:



Warning text and consequence for not following the instructions in the warning.

Caution

Cautions precede instructions and are used when there is a possibility of damage to systems, software, or individual items of equipment within a system. However, this damage presents no danger to personnel. A caution has the following format:



Caution text and consequence for not following the instructions in the caution.

Note

A note means that there is a possibility of an undesirable situation or provides additional information to help the reader understand a topic or concept. A note has the following format:



Note

Note text.

Caring for the environment

The following information describes national or regional requirements for the disposal of Cambium Networks supplied equipment and for the approved disposal of surplus packaging.

In EU countries

The following information is provided to enable regulatory compliance with the European Union (EU) directives identified and any amendments made to these directives when using Cambium equipment in EU countries.



Disposal of Cambium equipment

European Union (EU) Directive 2002/96/EC Waste Electrical and Electronic Equipment (WEEE)

Do not dispose of Cambium equipment in landfill sites. For disposal instructions, see

<http://www.cambiumnetworks.com/support>

Disposal of surplus packaging

Do not dispose of surplus packaging in landfill sites. In the EU, it is the individual recipient's responsibility to ensure that packaging materials are collected and recycled according to the requirements of EU environmental law.

In non-EU countries

In non-EU countries, dispose of Cambium equipment and all surplus packaging in accordance with national and regional regulations.

Product description

This chapter provides a high level description of the ePMP 1000 Hotspot product. It describes the function of the product and the main hardware components.

The major topics described in this document are:

- Overview of ePMP 1000 Hotspot
- System configuration
- Radio configuration
- WLAN Configuration
- Network Configuration
- Guest Access
- Firewall and ACL
- Firmware Management
- Troubleshooting

Overview of ePMP 1000 Hotspot

This section introduces the key features, typical use cases, product variants and components of the ePMP 1000 Hotspot.

PURPOSE

ePMP 1000 Hotspot is an outdoor 802.11n single band radio Wi-Fi Access Point. It is a 2x2:2 (2 spatial streams) device and supports upto 300Mbps of data rate. The 2.4 GHz device does not support channel bonding and hence only 20 MHz of operation and upto 144 Mbps of data rate is supported. An existing ePMP device can be converted to ePMP 1000 Hotspot. You can either convert any ePMP devices that you already have, or order the Hotspot version of ePMP from Cambium Networks.

The ePMP 1000 Hotspot has two Ethernet ports on the non-GPS sync version of hardware. The second Ethernet port supports PoE-out so the AP can also power up a Subscriber Module (ePMP or PMP450) for backhauling its traffic wirelessly. The operating frequencies of ePMP 1000Hotspot are unlicensed bands, 5 GHz and 2.4 GHz.

KEY FEATURES

This section describes the key features of ePMP 1000 Hotspot:

- Supports upto eight WLANs each with its own wireless network/SSID, security, and VLAN policy.
- Supports upto 128 wireless clients
- Can be managed via Cambium Networks cnMaestro cloud-based network manager.
- Supports device configuration by using CLI or UI
- Can be monitored via SNMP versions v2 and v3
- A Client traffic can be controlled through rate-limiting policies, configured per-WLAN or per-client.
- Supports Captive Portal redirection (Guest Access) with WISPr functionality

- Supports L3 services such as NAT, port forwarding, DHCP server, and DNS proxy
- Access to the network can be controlled based on traffic type and MAC address using features such as WLAN and Port Access Control (ACL), DNS based whitelist and blacklist, and DoS attack prevention
- Provides several troubleshooting tools such as Packet Capture, WiFi Analyzer, and Connectivity Tests.

Command Line Interface (CLI)

Overview

The ePMP 1000 Hotspot supports a powerful and structured Command Line Interface (CLI) that can be used for managing the device over SSH or Telnet.

The CLI can be used to configure any system parameter, to view the system status and statistics, and for actions such as reloading the device, or importing and exporting configuration from it. Several troubleshooting tools such as packet-capture and ping are also supported in the CLI.

The CLI is hierarchical, in addition to a global mode for system-wide commands, there are separate modes for Wireless LAN, Radio, Ethernet, VLAN, and DHCP server configuration. These specific modes are entered by specifying the instance of the mode.

Use the following CLI to configure wireless LAN 1 parameters:

```
• cnWest-5ghz(config)#  
• cnWest-5ghz(config)# wireless wlan 1  
• cnWest-5ghz(config-wlan-1)#
```

Use the following CLI to exit from a mode back to the global context type **exit** command:

```
• cnWest-5ghz(config-wlan-1)# exit  
• cnWest-5ghz(config)#
```

The default login and password for the CLI are **admin**. The password can be changed using the **management user admin password** command.

Entering **?** displays the command menu and any context specific help. Pressing **<TAB>** completes a partially typed CLI command wherever possible.

Commands to view system status and statistics begin with **show**. Commands to default or negate a configuration begin with **no**.

Example

Some of the commonly used CLI commands are:

Show config — Displays system configuration

Save — Used to apply and save any configuration changes

Show version — Displays the basic device information and firmware version

System configuration

This section describes the System, Management, Time Settings, and Event Logging functionalities of ePMP 1000 Hotspot.

System

The following table lists the fields that are displayed in the **Configuration > System** page:

Table 1: Configuration: **System** parameters

Parameter	Description	Default Value
Name	Hostname of the device. The maximum length of name is 64 characters.	—
Location	The location where the device is placed. The maximum length of location is 64 characters.	—
Country-Code	To be set by the administrator to the country-of-operation of the device. The allowed operating channels and the transmit power levels on those channels depends on the country of operation. Radios remain disabled unless this is set. The list of countries supported depends on the SKU of the device (FCC, ROW etc).	—
PoE Output	Enable to make the AP provide power an auxiliary device connected to its ETH2 interface. Note that the Eth2 interface provides Cambium PoE (not standard 802.3AF) and only supported Cambium devices should be plugged into that port, when POE-Out is enabled (devices such as other ePMPs, PMP450-SM).	—

You can configure the above parameters through the UI or CLI.

In the UI

1. Navigate to the **Configuration > System** tab. The following fields are displayed in **System**:
 1. Enter the hostname of the device in the **Name** text box.
 2. Enter the location where this device is placed in the **Location** text box.
 3. Select the appropriate country code for the regulatory configuration from the **Country-Code** text box.
 4. Enable the **PoE Output** checkbox to enable Power-over-Ethernet to an auxiliary device connected to ETH2.
2. Click **Save**.

Figure1: Configuration: **System** page

System

Name *Hostname of the device*

Location *Location where this device is placed*

Country-Code *For appropriate regulatory configuration*

PoE Output *Enable Power-over-Ethernet to an auxiliary device connected to ETH2*

In the CLI

To change the hostname:

```
(ePMP1000 host) (configure)# hostname <name>
```

To change the location:

```
(ePMP 1000 host) (configure)# location
```

To change the country-code:

```
(ePMP 1000 host) (configure)# country-code
```

To view the list of all country-codes:

```
(ePMP 1000 host)# show country-code
```

Management

The following table lists the fields that are displayed in the **Configuration > System > Management** page:

Table 2: Configuration: **System > Management** parameters

Parameter	Description	Default Value
Admin Password	Password for authentication of UI and CLI sessions.	—
Telnet	Enable Telnet access to the device CLI.	—
SSH	Enable SSH access to the device CLI.	—
HTTP	Enable HTTP access to the device UI.	—
HTTPS	Enable HTTPS access to the device UI.	—
Cambium Remote Mgmt	Enable support for Cambium Remote Management of this device.	Disabled
Cambium ID	Cambium-ID used for provisioning cnMaestro (Cambium Remote Management) of this device.	—
Cambium Password	Password used for onboarding the device to cnMaestro.	—

SNMP		
V2 RO Community	SNMP v2c read-only community string	—
V2 RW Community	SNMP v2c read-write community string	—

You can configure the above parameters through the UI or CLI.

In the UI

1. Navigate to the **Configuration > System** tab. The following fields are displayed in **Management**:
 - a. Enter the admin password of the device in the **Admin Password** text box.
 - b. Enable the **Telnet** checkbox to enable telnet access to the device CLI.
 - c. Enable the **SSH** checkbox to enable ssh access to the device CLI.
 - d. Enable the **HTTP** checkbox to enable HTTP access to the device UI.
 - e. Enable the **HTTPS** checkbox to enable HTTPS access to the device UI.
 - f. Enable the **Cambium Remote Mgmt** to enable support for Cambium Remote Management of this device.
 - g. Enter the Cambium ID of the user in the **Cambium ID** text box.
 - h. Enter the Cambium Password of the user in the **Cambium Password** text box.
 - i. Enter the SNMP v2c read-only community string in the **V2 RO community** text box.
 - j. Enter the SNMP v2c read-write community string in the **V2 RW community** text box.
2. Click **Save**.

Figure 2: Configuration: **Management** page

Management

Admin Password *Configure password for authentication of GUI and CLI sessions*

Telnet *Enable Telnet access to the device CLI*

SSH *Enable SSH access to the device CLI*

HTTP *Enable HTTP access to the device GUI*

HTTPS *Enable HTTPS access to the device GUI*

Cambium Remote Mgmt *Enable support for Cambium Remote Management of this device*

Cambium ID

Cambium Password

SNMP

V2 RO community *SNMP v2c read-only community string*

V2 RW community *SNMP v2c read-write community string*

In the CLI

To configure management:

```
(ePMP1000 host) (configure)# management {telnet, ssh, http, https}
```

To configure Cambium-ID:

```
(ePMP 1000 host) (configure)# cambium-id CAMBIUM-ID PASSWORD
```

Time settings

The user can configure upto 2 NTP servers. These are used by the AP to set its internal clock to UTC/GMT time. Note that the AP does not have a battery backup, and on power-cycle its clock will reset to default and needs to sync time again. The servers can be specified as IP addresses or as hostname (Eg: pool.ntp.org).

The following table lists the fields that are displayed in the Configuration > System > Time Settings page:

Table 3: Configuration: **System > Time Settings** parameters

Parameter	Description	Default Value
NTP Server 1	Name or IP address of a Network Time Protocol server 1.	—
NTP Server 2	Name or IP address of a Network Time Protocol server 2.	—
Timezone	Timezone can be set according to the location where the AP is installed. By selecting the appropriate timezone	—

	<p>from the drop-down list, ensures that the device clock is synced with the wall clock time.</p> <p>Note: Accurate time on the AP is critical for features such as WLAN Scheduled Access, Syslogs etc</p>	
--	---	--

You can configure the above parameters through the UI or CLI.

In the UI

1. Navigate to the **Configuration > System** tab. The following fields are displayed in **Time Settings**:
 - a. Enter the name or IP address of the NTP server 1 in the **NTP Server 1** text box.
 - b. Enter the name or IP address of the NTP server 2 in the **NTP Server 2** text box.
 - c. Select the time zone settings for the AP from the **Timezone** drop-down list.
2. Click **Save**.

Figure 3: Configuration: **Time settings** page

Time Settings

NTP Server 1 Name or IP address of a Network Time Protocol server

NTP Server 2

Timezone ▾

Current System Time Mon 17 Aug 2015 06:24:07 UTC

In the CLI

To configure NTP server:

```
(ePMP1000 host) (configure)# ntp <server>
```

To configure Timezone:

```
(ePMP1000 host) (configure)# timezone
```

To view the current system time:

```
(ePMP1000 host) # show clock
```

Event logging

The user can configure upto 2 Syslog servers on the device. All important events regarding device operation will be logged into these servers as standard RFC5424 compliant syslog messages. Each message has a mnemonic indicating the type of message, a severity from 0-7 (see the syslog wikipedia page for details of this. 0-emergency, 7-debugging etc), as well as a text indicating details of the event.

Table 4: Configuration: System > Event logging parameters

Parameter	Description	Default Value
Syslog Server 1	IP address of syslog server 1.	—
Syslog Server 2	IP address of syslog server 2.	—

You can configure the above parameters through the UI or CLI.

In the UI

- Navigate to the **Configuration > System** tab. The following fields are displayed in **Event Logging**:
 - Enter the IP address of the syslog server 1 in the **Syslog Server 1** text box.
 - Enter the IP address of the NTP server 2 in the **Syslog Server 2** text box.
- Click **Save**.

Figure 4: Configuration: Event logging page

The screenshot shows the 'Event Logging' configuration page. It contains two text input fields. The first field is labeled 'Syslog Server 1' and contains the IP address '192.168.0.10'. A tooltip next to it reads 'IP address of Syslog server'. The second field is labeled 'Syslog Server 2' and contains the IP address '192.168.0.11'.

In the CLI

To configure Event Logging:

```
(ePMP1000 host) (configure)# logging host <ipaddr>
```

To delete a previous entry of the event logging:

```
(ePMP1000 host) (configure)# no logging host <ipaddr>
```

To view a previous entry of the event logging:

```
(ePMP1000 host) # show logging
```

Onboarding to cnMaestro

Overview

cnMaestro is Cambium's next generation network management platform based on Cloud technologies. It will eventually replace the entire lineup of Network Management Tools. The initial release will include support for ePMP and indoor Wireless LAN devices. Subsequent releases will add the remaining devices in the Cambium portfolio. The legacy and 3rd party devices will be supported by a proxy application.

In addition to the Cloud deployment, the solution will also be able to be deployed as a standalone, redundant server solution for deployments where access to the Internet is restricted or forbidden.

Onboarding Steps

You can onboard an ePMP 1000 Hotspot to cnMaestro using the following steps:

1. To enable Cambium Remote Management:

```
ePMP1000-Hotspot# management cambium-remote
```

2. If the device does not have a unique Serial Number (MSN), then set the cambium-id/password obtained from Cambium Support:
3. If the device is claimed and is able to reach the cnMaestro, it will get on-boarded. The cnMaestro connection status can be seen under "Cambium Remote Management Status".

To view the connection status:

- ePMP1000-Hotspot# cambium-id <cambium-id> <password>
- ePMP1000-Hotspot# management cambium-remote url
<https://cloud.cambiumnetworks.com>
- ePMP1000-Hotspot # apply
- ePMP1000-Hotspot # save
- ePMP1000-Hotspot # show management

Remote Management

Config : Enabled

URL : <https://cloud.cambiumnetworks.com>

Status: Not Connected

Wireless configuration

The wireless settings are divided into the following:

- Radio configuration
- WLAN configuration

Radio configuration

ePMP 1000 Hotspot is a single radio solution which has two models based on 5GHz and 2.4GHz bands. The dashboard menu in the UI displays the channel and band from the CLI, **show wireless radios** displays the details of the radio.

The following table lists the fields that are displayed in the **Configure > Radio** page:

Table 5: Configure: **Radio** parameters

Parameter	Description	Default Value
Enable	Enables operation of this radio.	—
Channel	Primary operating channel.	Auto
Channel Width	Operating width of the channel.	—
Transmit Power	Radio transmit power in dBm (1 to 30)	—
Antenna Gain	Gain of connected antenna, in dBm (1 to 30)	—

The default channel configuration is set to auto, with this the AP sets the radio to best available channel based on the interference and Noise Floor.

The country-code set in **System** page effects channel selection. Only the channels that are allowed in the country code needs to be selected.

You can configure the above parameters through the UI or CLI.

In the UI

1. Navigate to the **Configure > Radio** tab. The following fields are displayed in **Radio**:
 - a. Select the **Enable** checkbox to enable the operations of this radio.
 - b. Select the primary operating channel from the **Channel** drop-down list.
 - c. Select the operating width (20 MHz or 40 MHz) of the channel from the **Channel Width** drop-down list for 5 GHz only. We do not support 40 MHz in 2.4 GHz.
 - d. Enter the radio transmit power in the **Transmit Power** text box.
 - e. Enter the antenna gain of connected antenna in the **Antenna Gain** text box.
2. Click **Save**.

Figure 5: Configure: **Radio** page

Radio

Enable *Enable operation of this radio*

Channel 149 *Primary operating channel*

Channel Width 20MHz *Operating width of the channel*

Transmit Power 20MHz *Radio transmit power in dBm (1 to 30)*

Antenna Gain 5 *Gain of connected antenna, in dBm (1 to 30)*

You can configure the radio parameters through the UI or CLI.

In the CLI

To configure radio:

```
(ePMP1000 host) (configure)# wireless radio 1
```

Advanced radio settings

You can configure the following advanced radio settings on an ePMP 1000 Hotspot:

- **Scheduled ACS (Auto Channel Select)** - When Scheduled ACS is configured, the radio scans all the channels available in the frequency band and selects the best available channel. Scheduled ACS can be configured to scan on-startup or periodic. (Run channel selection on specified days at specified time).

Table 6: Configure: **Radio > Auto Channel Select** parameters

Parameter	Description	Default Value
Candidates Channels	Select available channel.	—
Periodic	Run channel selection on specified days at specified time.	—

You can configure the above parameters through the UI or CLI.

In the UI

1. Navigate to the **Configure > Auto Channel Select** tab. The following fields are displayed:
 - a. Select the **Candidate Channel** as **All**, **Specific**, or **No Clients**.
 - b. Select **Periodic** as **On-Startup** or **Scheduled** and select specified day and time.
2. Click **Save**.

Figure 6: Configure: **Auto Channel Select** page

Auto Channel Select

Candidates Channels All Specific:

No Clients *Run channel selection periodically when no clients are associated*

Periodic On-Startup

Scheduled at

Run channel selection on specified days at specified time

In the CLI

To configure Auto Channel Select:

```
(ePMP1000 host) (configure)# wireless radio 1
```

```
(ePMP1000 host) (config-radio-1)# auto-channel select
```

- Enhanced Roaming** - When enhanced roaming is enabled, the clients are forced to roam when the SNR is below the configured value. This is useful when clients are connected to the AP that is far away and stick to that AP. With enhanced roaming, the AP disconnects the client if the SNR is less than the configured which makes client to find the better AP and roam to it. This is useful in a dense environment and multi-AP setup. It is disabled by default and user should understand his deployment topology and then only enable this, user should enable only if he is sure what they want and the threshold should be set accordingly.

The following table lists the fields that are displayed in the **Configure > Radio > Enhanced Roaming** page:

Table 7: Configure: **Radio > Enhanced Roaming** parameters

Parameter	Description	Default Value
Enable	Enable active disconnection of clients with weak signal.	Disabled
Roam SNR Threshold	SNR below which clients will be forced to roam (1-100 dB).	—

You can configure the above parameters through the UI or CLI.

In the UI

- Navigate to the **Configure > Enhanced Roaming** tab. The following fields are displayed:
 - Select the **Enable** checkbox to enable active disconnection of clients with weak signal.
 - Enter **Roam SNR Threshold** value between 1-100.
- Click **Save**.

Figure 7: Configure: **Enhanced Roaming** page

Enhanced Roaming

Enable
 Enable active disconnection of clients with weak signal

Roam SNR threshold SNR below which clients will be forced to roam (1-100 dB)

In the CLI

To configure Enhanced Roaming:

```
(ePMP1000 host) (configure)# wireless radio 1
(ePMP1000 host) (config-radio-1)# enhanced-roaming
(ePMP1000 host) (config-radio-1)# enhanced-roaming threshold
```

WLAN configuration

This section provides details on configuring WLAN Configuration parameters.

The following table lists the fields that are displayed in the **Configure > WLAN** page:

Table 8: Configure: **WLAN Configuration** parameters

Parameter	Description	Default Value
Enable	To enable a particular WLAN.	Disabled
SSID	The SSID of this WLAN (Upto 32 characters).	—
VLAN	Default VLAN assigned to clients on this WLAN. (1-4094).	—
Security	Displays the security type <ul style="list-style-type: none"> Open WPA2 Pre-shared Keys WPA2 Enterprise 	—
Client Isolation	Prevents wireless clients from communicating with each other. The client devices does not connect with each other.	—
Hide SSID	Prevents broadcasting SSID in beacons.	Disabled
Proxy ARP	Responds to ARP requests automatically on behalf of clients	—

You can configure the above parameters through the UI or CLI.

In the UI

1. Navigate to the **Configure > WLAN** tab. The following fields are displayed:
 - a. Select the **Enable** checkbox to enable a particular WLAN.
 - b. Enter the SSID name for this WLAN in the **SSID** textbox.
 - c. Enter the default VLAN assigned to the clients on this WLAN in the **VLAN** textbox.
 - d. Select the security type as Open, WPA2 Pre-shared Keys, or WPA2 Enterprise from the **Security** drop-down list.
 - e. Select the **Client Isolation** checkbox to prevent wireless clients from connecting to each other.
 - f. Select the **Hide SSID** checkbox for not broadcast SSID in beacons.
 - g. Select Proxy ARP checkbox for responding to ARP requests automatically on behalf of clients.
2. Click **Save**.

Figure 8: Configure: WLAN Configuration page

The screenshot shows the WLAN Configuration page with the following settings:

- Enable:**
- SSID:** The SSID of this WLAN (upto 32 characters)
- VLAN:** Default VLAN assigned to clients on this WLAN. (1-4094)
- Security:** ▼
- Client Isolation:** Prevent wireless clients from connecting to each other
- Hide SSID:** Do not broadcast SSID in beacons
- Proxy ARP:** Respond to ARP requests automatically on behalf of clients

In the CLI

To configure wlan:

```
(ePMP1000 host) (configure)# wireless wlan 1
```

To configure SSID:

```
(ePMP1000 host) (config-wlan-1)# ssid<name>
```

To configure security:

```
(ePMP1000 host) (config-wlan-1)# security wpa2-psk
```

```
ePMP1000(config-wlan-1)# passphrase <string>
```

To view the client status:

```
ePMP1000(config)#show wireless clients
```

To view the client statistics

```
ePMP1000(config)#show wireless clients statistics
```

Configuring RADIUS servers

RADIUS accounting allows user activity and statistics to be reported from the device to RADIUS servers.

This section provides details on configuring parameters for RADIUS Servers.

The following table lists the fields that are displayed in the Configure > WLAN > RADIUS Servers page:

Table 9: Configure: RADIUS Servers parameters

Parameter	Description	Default Value
Authentication Server	IP address of the host for the authentication server.	—
Timeout	Timeout in seconds of each request attempt.	—
Attempts	Number of attempts before a request is given up.	—
Accounting Server	IP address of the host for the accounting server.	—
Timeout	Timeout in seconds of each request attempt.	—
Attempts	Number of attempts before a request is given up.	—
Server Pool Mode	<p>Load Balance: Load balance requests equally among configured servers.</p> <p>Failover: Move down server list when earlier servers are unreachable.</p>	—
NAS Identifier	NAS-Identifier attribute to use in request packets. Defaults to system name.	—

You can configure the above parameters through the UI or CLI.

In the UI

1. Navigate to the **Configure > WLAN > RADIUS Servers** tab. The following fields are displayed:
 - a. Enter the IP address of the host for the authentication server in the **host** textbox.
 - b. Enter the shared key for this host in the **Shared** textbox.
 - c. Enter the Port in the **Port** textbox.
 - d. Enter the time in seconds of each request attempt in **Timeout** textbox.
 - e. Enter the number of attempts before a request is given up in the **Attempts** textbox.
 - f. Enter the IP address of the host for the accounting server in the **host** textbox.
 - g. Enter the shared key for this host in the **Shared** textbox.
 - h. Enter the Port in the **Port** textbox.
 - i. Enter the time in seconds of each request attempt in **Timeout** textbox.
 - j. Enter the number of attempts before a request is given up in the **Attempts** textbox.
 - k. Select any one of the Server Pool Mode:
 - Load Balance

- Failover
 1. Enter the NAS identifier in the **NAS Identifier** textbox.
 2. Click **Save**.

Figure 9: Configure: RADIUS Servers page

RADIUS Servers

Authentication Server 1 Host: Secret: Port: 1812 Realm:

2 Host: Secret: Port: 1812 Realm:

3 Host: Secret: Port: 1812 Realm:

Timeout *Timeout in seconds of each request attempt*

Attempts *Number of attempts before a request is given up*

Accounting Server 1 Host: Secret: Port: 1813

2 Host: Secret: Port: 1813

3 Host: Secret: Port: 1813

Timeout *Timeout in seconds of each request attempt*

Attempts *Number of attempts before a request is given up*

Server Pool Mode

Load Balance *Load balance requests equally among configured servers*

Failover *Move down server list when earlier servers are unreachable*

NAS Identifier *NAS-Identifier attribute for use in Request packets. Defaults to system name*

In the CLI

To configure RADIUS server:

```
(ePMP1000 host) (configure)# wireless wlan 1
ePMP(config)#wireless wlan <WLAN_IDX>
ePMP(config-wlan)#radius-server authentication host <1-3> <HOSTIP>
ePMP(config-wlan)#radius-server authentication port <1-3>
<1-65535>
ePMP(config-wlan)#radius-server authentication secret <1-3> <WORD>
ePMP(config-wlan)#radius-server authentication realm <1-3> <WORD>
ePMP(config-wlan)#radius-server authentication timeout <1-30>
ePMP(config-wlan)#radius-server authentication attempts <1-3>
ePMP(config-wlan)#radius-server accounting host <1-3> <HOST-IP>
ePMP(config-wlan)#radius-server accounting port <1-3> <1-65535>
ePMP(config-wlan)#radius-server accounting secret <1-3> <WORD>
ePMP(config-wlan)#radius-server accounting realm <1-3> <WORD>
ePMP(config-wlan)#radius-server accounting timeout <1-30>
ePMP(config-wlan)#radius-server accounting attempts <1-3>
ePMP(config-wlan)#radius-server accounting interim-update-interval
<60-65535>
ePMP(config-wlan)#radius-server accounting mode <start-stop|startinterim-
stop|none>
```

Guest Access

Guest access feature is used to provide a web-based network access control process where a client is redirected to a login page to gain network access. The clients can have a simple click-through login process or a RADIUS authentication based access mode. Without a login no network traffic is allowed from the client apart from DHCP and DNS packets. Traffic to specific IP addresses can be allowed using the whitelist configuration for the un-authenticated clients.

Configuring Guest Access

Administrator can configure a set of whitelist IP address which guest access clients can access without doing a login. This configuration also becomes handy when an external web portal is being used for providing the login/welcome pages. Administrator can give a secured http connection for the login where the communication between the access point and the client will be secured. Administrator can also configure the page title and welcome message as per his own requirements.

The following table lists the fields that are displayed in the **Configure > WLAN > Guest Access** page:

Table 10: Configure: **Guest Access** parameters

Parameter	Description	Default Value
Enable	Enables the Guest Access feature.	Disable
Access Policy	There are two types of access types provided for the end user, click-through and another being the RADIUS authentication mode. The click-through can also be combined with additional terms and condition content which can tell end users the terms of the network usage.	—
Redirect Mode	You can use http or https URLs for redirection.	—
Title	Title text in splash page.	—
Contents	Main contents of the splash page.	—
Terms	The admin can configure his own text for the terms and condition in the CLI/UI or he can load terms and condition content file from CLI using a service command. If a terms and condition content file is loaded then it will be common across all WLAN configuration if guest access is enabled on them.	—
Success message	The message to be displayed in the login page after successful authentication.	—
Session Timeout	Administrator can configure a limited session time for each session after which a re-login will be enforced.	—

Inactivity Timeout	Administrator can also configure an inactivity time for deleting those clients which went away without doing a proper guest access logout and free up the consumed resources by that client. Such a configuration is very helpful for public hotspots where free network is provided and clients go away without doing a logout.	—
--------------------	--	---

The RADIUS server configuration is used for RADIUS access type guest access and one can also enable RADIUS accounting for the guest access clients.

You can configure the above parameters through the UI or CLI.

In the UI

1. Navigate to the **Configure > WLAN > Guest Access** tab. The following fields are displayed:
 - a. Select **Enable** checkbox to enable guest access feature.
 - b. Choose the Access Policy as **Click through** or **Radius**.
 - c. Choose the Redirect Mode as **HTTP** or **HTTPS**.
 - d. Choose the login page to be on device login page or an external URL.
 - e. Enter the title to appear in the splash page in the **Title** textbox.
 - f. Enter the content to appear in the splash page in the **Contents** textbox.
 - g. Enter the terms and conditions to appear in the splash page in the **Terms** textbox.
 - h. Enter the success message to appear in the **Success Message** textbox.
 - i. Enter the session timeout in seconds in the **Session Timeout** textbox.
 - j. Enter the inactivity timeout in seconds in the **Inactivity Timeout** textbox.
2. Click **Save**.

Figure 10: Configure: **Guest Access** page

Guest Access

Enable

Access Policy Click through *Splash-page where users accept terms & conditions to get on the network*
 Radius *Splash-page with username & password, authenticated with a RADIUS server*

Redirect Mode HTTP *Use HTTP URLs for redirection*
 HTTPS *Use HTTPS URLs for redirection*

Splash Page On Device URL

Title
Title text in splash page

Contents
Main contents of the splash page

Terms
Terms & conditions displayed in the splash page

Success Action Internal Logout Page Redirect user to External URL

Success message

Session Timeout *Session time in seconds (60 to 86400)*

Inactivity Timeout *Inactivity time in seconds (60 to 28800)*

In the CLI

To configure Guest Access:

```
(ePMP1000 host) (configure)# wireless wlan 1
ePMP(config)#wireless wlan <WLAN_IDX>
ePMP(config-wlan)#guest-access access-type <click-through|radius>
ePMP(config-wlan)#guest-access connection-mode <http|https>
ePMP(config-wlan)#guest-access splash-page terms-message <TEXT>
ePMP(config-wlan)#guest-access splash-page text <TEXT>
ePMP(config-wlan)#guest-access splash-page title <TITLE>
ePMP(config-wlan)#guest-access splash-page URL <URL>
ePMP(config-wlan)#guest-access success-action <redirect-url|
logout-page>
ePMP(config-wlan)#guest-access success-action logout-page text
<TEXT>
ePMP(config-wlan)#guest-access session-time <60-86400>
ePMP(config-wlan)#guest-access inactivity-time <60-28800>
ePMP(config-wlan)#guest-access whitelist <IP_ADDRESS>
```

Network Configuration

This section introduces the configuration of various network elements such as Ethernet ports, SVIs, DHCP servers, DNS proxy, management VLAN access, NAT, and port forwarding. Depending of the use case, the required elements can be configured.

Ethernet Ports

The following table describes the parameters displayed in the **Network Configuration > Ethernet Configuration** page.

Table 11: Configure: **Ethernet Ports** parameters

Parameter	Description	Values
Mode	Configure Ethernet port in either trunk or access mode. Trunk Mode: Allows traffic with different user defined VLANs (refer allowed VLANs list) to egress & ingress. One of these VLANs can be defined as native VLAN. Traffic with native VLAN will map to untagged traffic based on whether native VLAN is tagged or untagged. Access Mode: Allows traffic with specific user defined VLAN (called access VLAN) to egress as untagged and allowed only untagged traffic to ingress and map to access VLAN.	trunk/access Default mode for Eth1 and Eth2 is access.
Access VLAN*	Untagged traffic on access port will map to the access VLAN inside the device.	1 - 4094
Allowed VLANs^	List of all VLANs which are allowed to ingress and egress from the trunk port and are separated by commas. E.g. 1,14,100,200-567	VLAN List
Native VLAN^	Marks one of the VLANs from allowed VLAN list as native VLAN.	1-4094
Native Tagged^	Maps native VLAN traffic of device to untagged traffic on Ethernet (when enabled) otherwise keep it tagged on Ethernet side.	Enable/Disable
*: valid only in access mode		
^: valid only in trunk mode		

Figure 11: Configure: Network Configuration page

Configure / Network

Edit: VLAN 1 [Delete this interface](#) [Add new L3 Interface](#)

Network Interfaces

IP Address DHCP Static IP: Network Mask:

Zeroconf IP Support 169.254.x.x local IP address

Management Access CLI/GUI/SNMP access via this interface

Routing & DNS

Default Route IP address of default gateway

Domain Name Domain name

DNS Server 1 Primary Domain Name Server

2 Secondary Domain Name Server

Ethernet Ports

ETH1 Access Mode

ETH2 Access Mode

In the CLI

To switch from configuration context to interface context:
(ePMP1000 host) (configure)# interface eth port-num

To configure port mode (default is trunk mode):
(ePMP1000 host) (configure)# switchport mode *access/trunk*

To configure default VLAN of access port (default 1):
(ePMP1000 host) (configure)# switchport access vlan *vlan-id*

To configure allowed VLAN range for trunk port (defaults 1 to 4094):
(ePMP1000 host) (configure)# switchport trunk allowed vlan *vlan-range*

To specify native VLAN for the trunk port (default 1):
(ePMP1000 host) (configure)# switchport trunk native vlan *vlan-id*

To enable native VLAN tagging:
(ePMP1000 host) (configure)# switchport trunk native tagged

To disable native VLAN tagging:
(ePMP1000 host) (configure)# no switchport trunk native tagged

To display L2 parameters of the ports:

(ePMP1000 host) (configure)# show interface brief

Switched Virtual Interface (SVI)

SVI represents virtual interfaces each mapped to a specific VLAN. Each SVI can have static IP or assigned from external DHCP server.

Table 12: Configure: SVI parameters

Parameter	Description	Values
IP Mode / Address	Configures either IP mode to DHCP or static IP to the SVI. Note: Each SVI should have IP in unique subnet.	dhcp or ip-addr/mask
zeroconf	Creates additional zeroconf IP (169.254.x.y) on the interface alias. Only valid for SVI with VLAN 1.	Enable/Disable

You can configure the above parameters through the CLI.

In the CLI

To switch from configuration context to SVI context:

(ePMP1000 host) (configure)# interface vlan *vlan-id*

To configure IP address mode to DHCP client:

(ePMP1000 host) (configure)# ip address dhcp

To configures static IP address with a network mask of x bits:

(ePMP1000 host) (configure)# ip address *a.b.c.d/x*

To configures zeroconf (169.254.x.y) IP on SVI:

(ePMP1000 host) (configure)# ip address zeroconf

To disable zeroconf IP on an interface:

(ePMP1000 host) (configure)# no ip address zeroconf

To display all the created SVIs along with their VLAN and IP address information:

(ePMP1000 host) (configure)# show ip interface brief

DHCP Server

Configures on board DHCP server on a particular SVI. User can configure different DHCP servers on up to 16 SVIs. Mapping between DHCP server and SVI is done through SVI IP address & network parameter of DHCP server configuration.

Table 12: Configure: DHCP Server parameters

Parameter	Description	Values
-----------	-------------	--------

IP Address Range	Specifies the range of IP address to be used for assigning to the clients.	start-ip-address to end-ip-address
Default Router IP	Specifies IP address of the default gateway to be assigned to the clients	ip-addr
Primary & Secondary DNS Server IP	Specifies IP address of the domain name servers. Default values: 8.8.8.8 & 8.8.4.4 (when dns proxy is configured at device) SVI IP & none (when dns proxy is not configured on device)	ip-addr1 ip-addr2 (optional)
Domain Name	Specifies the domain name to be assigned to clients.	string
Lease Time	Specifies the lease time.	days – hours - minutes
network	Specifies subnet of SVI to which this DHCP server should attach.	ip-addr/mask
MAC-IP Bindings	Specifies specific binding between MAC address and IP address.	mac-addr ip-addr

You can configure the above parameters through the CLI.

In the CLI

To switch from configuration context to DHCP pool context:
(ePMP1000 host) (configure)# ip dhcp pool *pool-num*

To configure IP address range to be assigned to the clients:
(ePMP1000 host) (configure)# address-range *a.b.c.d A.B.C.D*

To configure default router IP to be assigned to clients. Default router, if present in address range is excluded.
(ePMP1000 host) (configure)# default-router *a.b.c.d*

To configure primary and secondary DNS server IP to be assigned to clients. Default Value: 8.8.8.8 for primary & 208.67.222.222 for secondary:
(ePMP1000 host) (configure)# dns-server *primary-server-ip secondary-server-ip*

To configure domain name to be assigned to clients:
(ePMP1000 host) (configure)# domain-name

To configure lease time:
(ePMP1000 host) (configure)# lease *days hrs min*

To specify subnet (SVI) to attach with DHCP server:
(ePMP1000 host) (configure)# network *a.b.c.d /x*

To bind IP address with MAC address. Up to 32 bindings can be specified:
(ePMP1000 host) (configure)# bind *xx:xx:xx:xx:xx:xx a.b.c.d*

To destroy the specified DHCP pool:
 (ePMP1000 host) (configure)# *no ip dhcp pool pool-num*

To display the pool status, SVI on which DHCP pool is attached & assigned leases to all client from this pool:
 (ePMP1000 host) (configure)# *show dhcp-pool pool-num*

DHCP Relay

DHCP relay allows DHCP server in one subnet to be shared by clients in other subnet by relaying DHCP requests. Relay agent configuration is specific to SVI. i.e. any SVI / subnet looking for DHCP server in different subnet needs to have relay agent configured for it.

Table 12: Configure: DHCP Relay parameters

Parameter	Description	Value
DHCP Server IP	Specifies the IP address of the DHCP server which should be used of the given subnet. Note: It automatically enables relay w/o any additional command.	ip-address

You can configure the above parameters through the CLI.

In the CLI

To switch from configuration context to SVI context.
 (ePMP1000 host) (configure)# *interface vlan vlan-id*

To configure DHCP relay for the SVI with *a.b.c.d* as the DHCP server IP address.
 (ePMP1000 host) (configure)# *ip dhcp relay server a.b.c.d*

To display relay:
 (ePMP1000 host) (configure)# *no ip dhcp relay*

DNS Proxy

DNS proxy enables local caching of DNS entries from all the interfaces configured on the device. For the queries which cannot be answered from the local cache, external servers are referred.

Table 12: Configure: DNS Proxy Parameters

Parameter	Description	Value
State	Configures the state of DNS proxy on the device.	Enable/Disable

External name server	IP address of external name server to be referred by DNS proxy. Up to two name server can be defined. Additionally, any name servers passed by external DHCP servers will also be used as external DHCP server.	Ip-address
----------------------	---	------------

You can configure the above parameters through CLI.

In the CLI

To enable DNS server / proxy:
(ePMP1000 host) (configure)# ip dns server

To disable DNS server / proxy:
(ePMP1000 host) (configure)# no ip dns server

To configure single external name server:
(ePMP1000 host) (configure)# ip name-server *a.b.c.d*

Management VLAN Access

The management VLAN access allows to restrict device access using a given set (one or more) VLANs. Additionally, access using a given VLAN can be allowed only from wired connection.

Table 13: Configure: Management VLAN Access Parameters

Parameter	Description	Values
state	Management VLAN access is per SVI configuration. Disabled: No access of device using this SVI's VLAN Allow-from-wired: Access of device is allowed from wired side using this SVI's VLAN Allow-from-both-wired-wireless: Access of device is allowed from both wired & wireless side using this SVI's VLAN	Disable / allow-from-wired / allow-from-both-wired-wireless

You can configure the above parameters through the CLI.

In the CLI

To switch from configuration context to SVI context:
(ePMP1000 host) (configure)# interface vlan *vlan-id*

To enable management access through given SVI. Access from both wired and wireless is allowed:
(ePMP1000 host) (configure)# management-access all

To enable management access through given SVI. Access from only wired side is permitted:
(ePMP1000 host) (configure)# management-access wired

To disable management access through given SVI:
(ePMP1000 host) (configure)# no management-access

NAT and Port Forwarding

NAT allows to hide IP addresses of a subnet while accessing IP addresses in another subnet. Each SVI / Subnet needs to be individually configured for NAT.

You can configure NAT using CLI:

In the CLI

To switch from configuration context to SVI context:
(ePMP1000 host) (configure)# interface vlan *vlan-id*

To enable NAT for the SVI:
(ePMP1000 host) (configure)# ip nat inside

To disable NAT for the SVI:
(ePMP1000 host) (configure)# no ip nat

Port Forwarding allows to forward traffic with specific TCP / UDP ports to specific server in NAT enabled subnet. As oppose to NAT which is SVI specific, port forwarding is a global configuration.

You can configure NAT using CLI:

In the CLI

To forward TCP port-num to a.b.c.d server:
(ePMP1000 host) (configure)# ip port-forward tcp *port-num a.b.c.d*

To forward UDP port-num to a.b.c.d server:
(ePMP1000 host) (configure)# ip port-forward udp *port-num a.b.c.d*

To disable forwarding of TCP port-num to a.b.c.d server:
(ePMP1000 host) (configure)# no ip port-forward tcp *port-num a.b.c.d*

To disable forwarding of UDP port-num to a.b.c.d server
(ePMP1000 host) (configure)# no ip port-forward udp *port-num a.b.c.d*

Firewall

Firewall options are used to configure options to protect from denial of service (DoS) attacks. By configuring these options AP prevents attacks on its Ethernet and wireless interface so that it does not enter in DoS state for its wireless clients.

Configuring Firewall

You can use the following command to configure Firewall:

```
(ePMP1000 host) (configure)# firewall dos-protection {icmp-frag, ip-spoof, ip-spoof-log, smurf-attack}
```

DNS ACL

DNS ACL gives URL filtering based on the domain name in DNS Requests. User can configure allow or deny list based on the requirements. If a domain has been configured as **allow** then the wireless clients can load that URL. If a domain has been kept as **deny** then those URLs will be blocked by AP Wildcards as domain names are supported (Eg: *.google.com). You can configure upto 256 entries per WLAN.

Configuring DNS ACL

You can use the following command to configure DNS ACL:

```
(ePMP1000 host) (config-wlan-1# dns-acl {deny, permit}
```

ACL

ACL provides basic traffic filtering capabilities based on selected type of ACL, for example if user Configures an IP ACL then from A.B.C.D. IP address to M.N.O.P IP address traffic will be dropped. The AP examines each packet to determine whether to forward or drop the packet, on the basis of the criteria such as:

- Allow or Deny criterion
- Source or Destination IP address of the traffic
- Source or Destination MAC address of the traffic
- Upper-layer protocol types
- Source or destination port information.

A maximum of 256 rules per network interface and rules are processed in the order of precedence (1=high; 256=low).

Configuring ACL

You can use the following command to configure ACL:

```
(ePMP1000 host) (config-wlan-1# acl {deny, permit})
```

```
(ePMP1000 host) (config-wlan-1# acl deny {ip, mac, proto})
```

Firmware management

The running software on the ePMP 1000 can be upgraded to newer firmware from either the CLI or the UI. When upgrading from the CLI the user must specify a TFTP or FTP server from where the firmware file would be downloaded by the Access Point. When upgrading from the UI the user can upload the firmware file from the browser. The same process can be followed to downgrade the Access Point to a previous firmware version if required. Configuration is maintained across the firmware upgrade process.

**Note**

Once a firmware upgrade has been initiated, the Access Point should not be rebooted or power cycled until the process completes, as this might leave the Access Point inoperable.

**Note**

The ePMP 1000 and ePMP 1000 Hotspot share the same hardware platform, and can be firmware upgraded from one to another. To change the firmware on an ePMP 1000 running the point-to-multipoint software to the hotspot software version, use the regular upgrade process and specify the ePMP 1000 Hotspot firmware file as the firmware to be used for upgrade. Likewise to change functionality from ePMP 1000 Hotspot back to ePMP 1000 point to multi point, use the upgrade process as described above, but instead of ePMP 1000 Hotspot firmware file, please specify the appropriate ePMP 1000 Point to multi point firmware file.

You can configure the above parameters through the UI or CLI.

In the UI

1. Navigate to the **Operation > Firmware Upgrade** tab. The following fields are displayed:
2. To upgrade the firmware manually:
Click **Browse** and select the downloaded image file.
3. To upgrade the firmware automatically:
Click Upgrade Firmware.
4. You can view the status of upgrade in the **Upgrade Status** field.
5. Click **Save**.

Figure 12: Operations: Firmware Upgrade page

Firmware update

No file selected.

Upgrade Status :

In the CLI

To upgrade firmware:

```
(ePMP1000 host) (configure)# upgrade
```

Troubleshooting

The following types of troubleshooting tools are supported:

1. **Packet Capture:** Allows the administrator to capture all packets on a specified interface. A decode of the packet indicating the network addresses, protocol types etc is displayed. The administrator can filter the packets being captured by specifying a particular MAC address, IP address, port number etc. The number of packets that are captured can also be capped, so the console or system is not overwhelmed. Packets captured on the ETH interfaces are packets that are being transmitted or received on the physical interface of the device. Packets captures on the WLAN interfaces are data packets on a particular WLAN as they are bridged on the radio interface of the device.
2. **Logs and Events:** The system generates event-messages for any notable activity on the device from client associations and authentications to system configuration changes. These logs are:
 1. Forwarded to cnMaestro for later viewing and filtering
 2. Buffered on the device and can be viewed using 'show logging' in the CLI
 3. Transmitted to any configured syslog servers.
3. **Configuration Import, Export, Delete:** The device configuration can either be exported from the device as a text file of CLI commands, or imported into the device from a previous backup. The delete configuration option will factory-reset the device. All configuration, configured onboarding parameters are reset to default when the configuration is deleted and the device rebooted. Note that when a configuration file is imported onto the device, a reboot is necessary to activate that new configuration.
4. **Factory Default:** There are three ways a device can be reset back to factory default:
 1. Using the 'Delete Configuration' option in the Operations panel of the GUI or by using the 'delete config' CLI command.
 2. By pressing and holding down the reset button on the ePMP 1000 hardware. Note that this is a recessed button between the Main (ETH1) and Aux (ETH2) Ethernet ports on the device.

By power cycling the device four times in a row, each time allowing it to boot up only between 4-6 seconds before cutting power.

ePmP Resetting Mechanism by using the external reset button

ePMP APs and SMs feature an external button which serves two purposes:

- To reset the device (briefly depress the button for more than two seconds but less than ten seconds then release)

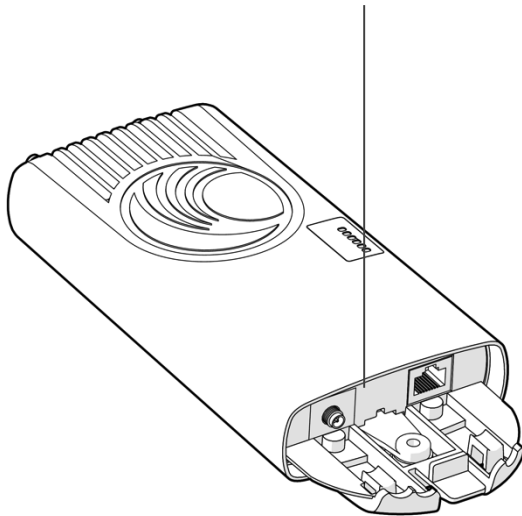


Caution

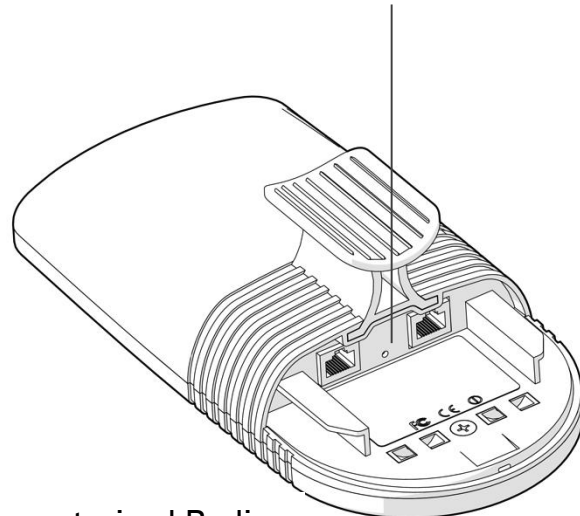
If the reset button is pressed for more than ten seconds while powered on, the device will reset back to its factory default configuration

- To reset the device to its factory default configuration (depress the button for more than ten seconds then release)

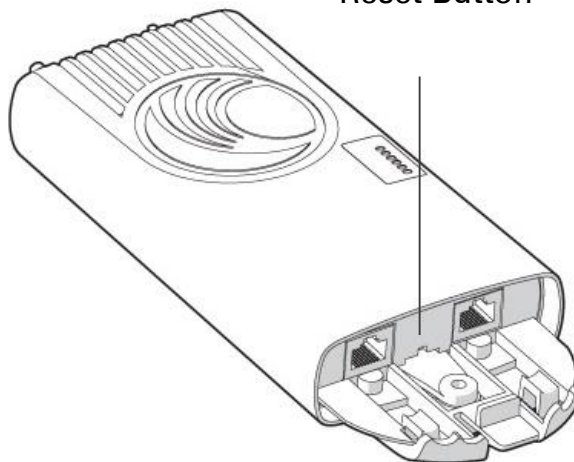
Connectorized Radio
Reset Button



Integrated Radio
Reset Button



Connectorized Radio
Reset Button



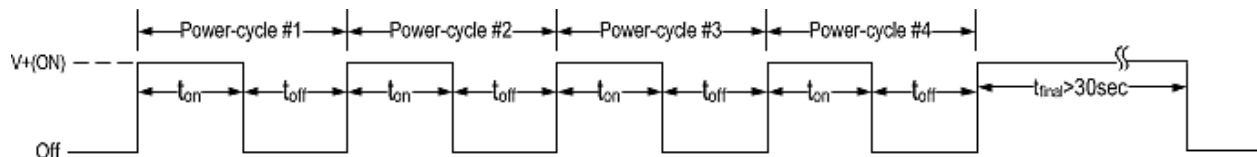
Resetting ePMP to factory defaults by power cycling

Operators may reset an ePMP radio to default factory configuration by a sequence of power cycling (removing and re-applying power to the device). This procedure allows operators to perform a factory default reset without a tower climb or additional tools. The procedure is depicted in Figure 1.

Procedure:

- 1 Remove the Ethernet cable from PoE jack of the power supply for at least 10 seconds.
- 2 Reconnect the Ethernet cable to re-supply power to the ePMP device for **3-5 seconds** and disconnect cable to power off the ePMP device for **3-5 seconds**. (1st power cycle)
- 3 Reconnect the Ethernet cable to re-supply power to the ePMP device for **3-5 seconds** and disconnect cable to power off the ePMP device for **3-5 seconds**. (2nd power cycle)
- 4 Reconnect the Ethernet cable to re-supply power to the ePMP device for **3-5 seconds** and disconnect cable to power off the ePMP device for **3-5 seconds**. (3rd power cycle)
- 5 Reconnect the Ethernet cable to re-supply power to the ePMP device for **3-5 seconds** and disconnect cable to power off the ePMP device for **3-5 seconds**. (4th power cycle)
- 6 Reconnect the Ethernet cable to re-supply power to the ePMP device for at least **30 seconds** and allow it to go through the boot up procedure (Note: Device will go through an additional reset automatically). This will reset the current configuration files to factory default configuration (e.g. IP addresses, Device mode, RF configuration etc.). The device can be pinged from a PC to check if boot up is complete (Successful ping replies indicates boot up is complete).
- 7 Access the ePMP device using the default IP address of 192.168.0.1 (AP) or 192.168.0.2 (SM).

Figure 1 Power cycle timings



Where:

V+(ON)

Off

t_{on}

t_{off}

Is:

Power through PoE has been applied to the device

Power through PoE has been removed from the device

Time duration for which the device has been powered on. This should be 3-5 seconds.

Time duration for which the device has been powered off. This should be 3-5 seconds.

Legal and reference information

This chapter provides legal notices including software license agreements.



Caution

Intentional or unintentional changes or modifications to the equipment must not be made unless under the express consent of the party responsible for compliance. Any such modifications could void the user's authority to operate the equipment and will void the manufacturer's warranty.

Cambium Networks end user license agreement

ACCEPTANCE OF THIS AGREEMENT

In connection with Cambium Networks' delivery of certain proprietary software or products containing embedded or pre-loaded proprietary software, or both, Cambium Networks is willing to license this certain proprietary software and the accompanying documentation to you only on the condition that you accept all the terms in this End User License Agreement ("Agreement").

IF YOU DO NOT AGREE TO THE TERMS OF THIS AGREEMENT, DO NOT USE THE PRODUCT OR INSTALL THE SOFTWARE. INSTEAD, YOU MAY, FOR A FULL REFUND, RETURN THIS PRODUCT TO THE LOCATION WHERE YOU ACQUIRED IT OR PROVIDE WRITTEN VERIFICATION OF DELETION OF ALL COPIES OF THE SOFTWARE. ANY USE OF THE SOFTWARE, INCLUDING BUT NOT LIMITED TO USE ON THE PRODUCT, WILL CONSTITUTE YOUR ACCEPTANCE TO THE TERMS OF THIS AGREEMENT.

DEFINITIONS

In this Agreement, the word "Software" refers to the set of instructions for computers, in executable form and in any media, (which may include diskette, CD-ROM, downloadable internet, hardware, or firmware) licensed to you. The word "Documentation" refers to electronic or printed manuals and accompanying instructional aids licensed to you. The word "Product" refers to Cambium Networks' fixed wireless broadband devices for which the Software and Documentation is licensed for use.

GRANT OF LICENSE

Cambium Networks Limited ("Cambium") grants you ("Licensee" or "you") a personal, nonexclusive, non-transferable license to use the Software and Documentation subject to the Conditions of Use set forth in "**Conditions of use**" and the terms and conditions of this Agreement. Any terms or conditions relating to the Software and Documentation appearing on the face or reverse side of any purchase order, purchase order acknowledgment or other order document that are different from, or in addition to, the terms of this Agreement will not be binding on the parties, even if payment is accepted.

CONDITIONS OF USE

Any use of the Software and Documentation outside of the conditions set forth in this Agreement is strictly prohibited and will be deemed a breach of this Agreement.

1. Only you, your employees or agents may use the Software and Documentation. You will take all necessary steps to insure that your employees and agents abide by the terms of this Agreement.
2. You will use the Software and Documentation (i) only for your internal business purposes; (ii) only as described in the Software and Documentation; and (iii) in strict accordance with this Agreement.
3. You may use the Software and Documentation, provided that the use is in conformance with the terms set forth in this Agreement.

4. Portions of the Software and Documentation are protected by United States copyright laws, international treaty provisions, and other applicable laws. Therefore, you must treat the Software like any other copyrighted material (for example, a book or musical recording) except that you may either: (i) make 1 copy of the transportable part of the Software (which typically is supplied on diskette, CD-ROM, or downloadable internet), solely for back-up purposes; or (ii) copy the transportable part of the Software to a PC hard disk, provided you keep the original solely for back-up purposes. If the Documentation is in printed form, it may not be copied. If the Documentation is in electronic form, you may print out 1 copy, which then may not be copied. With regard to the copy made for backup or archival purposes, you agree to reproduce any Cambium Networks copyright notice, and other proprietary legends appearing thereon. Such copyright notice(s) may appear in any of several forms, including machine-readable form, and you agree to reproduce such notice in each form in which it appears, to the extent it is physically possible to do so. Unauthorized duplication of the Software or Documentation constitutes copyright infringement, and in the United States is punishable in federal court by fine and imprisonment.
5. You will not transfer, directly or indirectly, any product, technical data or software to any country for which the United States Government requires an export license or other governmental approval without first obtaining such license or approval.

TITLE AND RESTRICTIONS

If you transfer possession of any copy of the Software and Documentation to another party outside of the terms of this agreement, your license is automatically terminated. Title and copyrights to the Software and Documentation and any copies made by you remain with Cambium Networks and its licensors. You will not, and will not permit others to: (i) modify, translate, decompile, bootleg, reverse engineer, disassemble, or extract the inner workings of the Software or Documentation, (ii) copy the look-and-feel or functionality of the Software or Documentation; (iii) remove any proprietary notices, marks, labels, or logos from the Software or Documentation; (iv) rent or transfer all or some of the Software or Documentation to any other party without Cambium's prior written consent; or (v) utilize any computer software or hardware which is designed to defeat any copy protection device, should the Software and Documentation be equipped with such a protection device. If the Software and Documentation is provided on multiple types of media (such as diskette, CD-ROM, downloadable internet), then you will only use the medium which best meets your specific needs, and will not loan, rent, lease, or transfer the other media contained in the package without Cambium's written consent. Unauthorized copying of the Software or Documentation, or failure to comply with any of the provisions of this Agreement, will result in automatic termination of this license.

CONFIDENTIALITY

You acknowledge that all Software and Documentation contain valuable proprietary information and trade secrets and that unauthorized or improper use of the Software and Documentation will result in irreparable harm to Cambium Networks for which monetary damages would be inadequate and for which Cambium Networks will be entitled to immediate injunctive relief. If applicable, you will limit access to the Software and Documentation to those of your employees and agents who need to use the Software and Documentation for your internal business purposes, and you will take appropriate action with those employees and agents to preserve the confidentiality of the Software and Documentation, using the same degree of care to avoid unauthorized or improper disclosure as you use for the protection of your own proprietary software, but in no event less than reasonable care.

You have no obligation to preserve the confidentiality of any proprietary information that: (i) was in the public domain at the time of disclosure; (ii) entered the public domain through no fault of yours; (iii) was given to you free of any obligation to keep it confidential; (iv) is independently developed by you; or (v) is disclosed as required by law provided that you notify Cambium Networks prior to such disclosure and provide Cambium Networks with a reasonable opportunity to respond.

RIGHT TO USE CAMBIUM'S NAME

Except as required in “**Conditions of use**”, you will not, during the term of this Agreement or thereafter, use any trademark of Cambium Networks, or any word or symbol likely to be confused with any Cambium Networks trademark, either alone or in any combination with another word or words.

TRANSFER

The Software and Documentation may not be transferred to another party without the express written consent of Cambium Networks, regardless of whether or not such transfer is accomplished by physical or electronic means. Cambium’s consent may be withheld at its discretion and may be conditioned upon transferee paying all applicable license fees and agreeing to be bound by this Agreement.

UPDATES

During the first 12 months after purchase of a Product, or during the term of any executed Maintenance and Support Agreement for the Product, you are entitled to receive Updates. An “Update” means any code in any form which is a bug fix, patch, error correction, or minor enhancement, but excludes any major feature added to the Software. Updates are available for download at the support website.

Major features may be available from time to time for an additional license fee. If Cambium Networks makes available to you major features and no other end user license agreement is provided, then the terms of this Agreement will apply.

MAINTENANCE

Except as provided above, Cambium Networks is not responsible for maintenance or field service of the Software under this Agreement.

DISCLAIMER

CAMBIUM NETWORKS DISCLAIMS ALL WARRANTIES OF ANY KIND, WHETHER EXPRESS, IMPLIED, STATUTORY, OR IN ANY COMMUNICATION WITH YOU. CAMBIUM NETWORKS SPECIFICALLY DISCLAIMS ANY WARRANTY INCLUDING THE IMPLIED WARRANTIES OF MERCHANTABILITY, NONINFRINGEMENT, OR FITNESS FOR A PARTICULAR PURPOSE. THE SOFTWARE AND DOCUMENTATION ARE PROVIDED "AS IS." CAMBIUM NETWORKS DOES NOT WARRANT THAT THE SOFTWARE WILL MEET YOUR REQUIREMENTS, OR THAT THE OPERATION OF THE SOFTWARE WILL BE UNINTERRUPTED OR ERROR FREE, OR THAT DEFECTS IN THE SOFTWARE WILL BE CORRECTED. CAMBIUM NETWORKS MAKES NO WARRANTY WITH RESPECT TO THE CORRECTNESS, ACCURACY, OR RELIABILITY OF THE SOFTWARE AND DOCUMENTATION. Some jurisdictions do not allow the exclusion of implied warranties, so the above exclusion may not apply to you.

LIMITATION OF LIABILITY

IN NO EVENT SHALL CAMBIUM NETWORKS BE LIABLE TO YOU OR ANY OTHER PARTY FOR ANY DIRECT, INDIRECT, GENERAL, SPECIAL, INCIDENTAL, CONSEQUENTIAL, EXEMPLARY OR OTHER DAMAGE ARISING OUT OF THE USE OR INABILITY TO USE THE PRODUCT (INCLUDING, WITHOUT LIMITATION, DAMAGES FOR LOSS OF BUSINESS PROFITS, BUSINESS INTERRUPTION, LOSS OF BUSINESS INFORMATION OR ANY OTHER PECUNIARY LOSS, OR FROM ANY BREACH OF WARRANTY, EVEN IF CAMBIUM NETWORKS HAS BEEN ADVISED OF THE POSSIBILITY OF SUCH DAMAGES. (Some states do not allow the exclusion or limitation of incidental or consequential damages, so the above exclusion or limitation may not apply to you.) IN NO CASE SHALL CAMBIUM'S LIABILITY EXCEED THE AMOUNT YOU PAID FOR THE PRODUCT.

U.S. GOVERNMENT

If you are acquiring the Product on behalf of any unit or agency of the U.S. Government, the following applies. Use, duplication, or disclosure of the Software and Documentation is subject to the restrictions set forth in subparagraphs (c) (1) and (2) of the Commercial Computer Software – Restricted Rights clause at FAR 52.227-19 (JUNE 1987), if applicable, unless being provided to the Department of Defense. If being provided to the Department of Defense, use, duplication, or disclosure of the Products is subject to the restricted rights set forth in subparagraph (c) (1) (ii) of the Rights in Technical Data and Computer Software clause at DFARS 252.227-7013 (OCT 1988), if applicable. Software and Documentation may or may not include a Restricted Rights notice, or other notice referring specifically to the terms and conditions of this Agreement. The terms and conditions of this Agreement will each continue to apply, but only to the extent that such terms and conditions are not inconsistent with the rights provided to you under the aforementioned provisions of the FAR and DFARS, as applicable to the particular procuring agency and procurement transaction.

TERM OF LICENSE

Your right to use the Software will continue in perpetuity unless terminated as follows. Your right to use the Software will terminate immediately without notice upon a breach of this Agreement by you. Within 30 days after termination of this Agreement, you will certify to Cambium Networks in writing that through your best efforts, and to the best of your knowledge, the original and all copies, in whole or in part, in any form, of the Software and all related material and Documentation, have been destroyed, except that, with prior written consent from Cambium Networks, you may retain one copy for archival or backup purposes. You may not sublicense, assign or transfer the license or the Product, except as expressly provided in this Agreement. Any attempt to otherwise sublicense, assign or transfer any of the rights, duties or obligations hereunder is null and void.

GOVERNING LAW

This Agreement is governed by the laws of the United States of America to the extent that they apply and otherwise by the laws of the State of Illinois.

ASSIGNMENT

This agreement may not be assigned by you without Cambium's prior written consent.

SURVIVAL OF PROVISIONS

The parties agree that where the context of any provision indicates an intent that it survives the term of this Agreement, then it will survive.

ENTIRE AGREEMENT

This agreement contains the parties' entire agreement regarding your use of the Software and may be amended only in writing signed by both parties, except that Cambium Networks may modify this Agreement as necessary to comply with applicable laws.

THIRD PARTY SOFTWARE

The software may contain one or more items of Third-Party Software supplied by other third-party suppliers. The terms of this Agreement govern your use of any Third-Party Software UNLESS A SEPARATE THIRD-PARTY SOFTWARE LICENSE IS INCLUDED, IN WHICH CASE YOUR USE OF THE THIRD-PARTY SOFTWARE WILL THEN BE GOVERNED BY THE SEPARATE THIRD-PARTY LICENSE.

Aquila

Copyright (c) 2002-2010, Atheros Communications Inc.
Copyright (c) 2002-2005 Sam Leffler, Errno Consulting
Copyright (C) 2011 Denali Software Inc. All rights reserved

Permission to use, copy, modify, and/or distribute this software for any purpose with or without fee is hereby granted, provided that the above copyright notice and this permission notice appear in all copies.

THE SOFTWARE IS PROVIDED "AS IS" AND THE AUTHOR DISCLAIMS ALL WARRANTIES WITH REGARD TO THIS SOFTWARE INCLUDING ALL IMPLIED WARRANTIES OF MERCHANTABILITY AND FITNESS. IN NO EVENT SHALL THE AUTHOR BE LIABLE FOR ANY SPECIAL, DIRECT, INDIRECT, OR CONSEQUENTIAL DAMAGES OR ANY DAMAGES WHATSOEVER RESULTING FROM LOSS OF USE, DATA OR PROFITS, WHETHER IN AN ACTION OF CONTRACT, NEGLIGENCE OR OTHER TORTIOUS ACTION, ARISING OUT OF OR IN CONNECTION WITH THE USE OR PERFORMANCE OF THIS SOFTWARE.

=====
Redistribution and use in source and binary forms are permitted provided that the following conditions are met:

1. The materials contained herein are unmodified and are used unmodified.
2. Redistributions of source code must retain the above copyright notice, this list of conditions and the following NO "WARRANTY" disclaimer below ("Disclaimer"), without modification.
3. Redistributions in binary form must reproduce at minimum a disclaimer similar to the Disclaimer below and any redistribution must be conditioned upon including a substantially similar Disclaimer requirement for further binary redistribution.
4. Neither the names of the above-listed copyright holders nor the names of any contributors may be used to endorse or promote product derived from this software without specific prior written permission.

NO WARRANTY
THIS SOFTWARE IS PROVIDED BY THE COPYRIGHT HOLDERS AND CONTRIBUTORS "AS IS" AND ANY EXPRESS OR IMPLIED WARRANTIES, INCLUDING, BUT NOT LIMITED TO, THE IMPLIED WARRANTIES OF

NONINFRINGEMENT, MERCHANTABILITY AND FITNESS FOR A PARTICULAR PURPOSE ARE DISCLAIMED. IN NO EVENT SHALL THE COPYRIGHT HOLDERS OR CONTRIBUTORS BE LIABLE FOR SPECIAL, EXEMPLARY, OR CONSEQUENTIAL DAMAGES (INCLUDING, BUT NOT LIMITED TO, PROCUREMENT OF SUBSTITUTE GOODS OR SERVICES; LOSS OF USE, DATA, OR PROFITS; OR BUSINESS INTERRUPTION) HOWEVER CAUSED AND ON ANY THEORY OF LIABILITY, WHETHER IN CONTRACT, STRICT LIABILITY, OR TORT (INCLUDING NEGLIGENCE OR OTHERWISE) ARISING IN ANY WAY OUT OF THE USE OF THIS SOFTWARE, EVEN IF ADVISED OF THE POSSIBILITY OF SUCH DAMAGES.

Linux Kernel

Copyright (c) 1989, 1991 Free Software Foundation

NOTE! This copyright does *not* cover user programs that use kernel services by normal system calls - this is merely considered normal use of the kernel, and does *not* fall under the heading of "derived work". Also note that the GPL below is copyrighted by the Free Software Foundation, but the instance of code that it refers to (the Linux kernel) is copyrighted by me and others who actually wrote it.

Also note that the only valid version of the GPL as far as the kernel is concerned is this particular version of the license (ie v2, not v2.2 or v3.x or whatever), unless explicitly otherwise stated.

Linus Torvalds

 GNU GENERAL PUBLIC LICENSE
 Version 2, June 1991

Copyright (C) 1989, 1991 Free Software Foundation, Inc.
 51 Franklin St, Fifth Floor, Boston, MA 02110-1301 USA
 Everyone is permitted to copy and distribute verbatim copies
 of this license document, but changing it is not allowed.

See above for details of the license.

<i>gpio_keys</i>	/* * Driver for keys on GPIO lines capable of generating interrupts. * * Copyright 2005 Phil Blundell * * This program is free software; you can redistribute it and/or modify * it under the terms of the GNU General Public License version 2 as * published by the Free Software Foundation. */
<i>uboot</i>	Copyright (c) 2007 Wolfgang Denk, DENIX Software Engineering, wd@denix.de # (C) Copyright 2000 - 2005 # Wolfgang Denk, DENIX Software Engineering, wd@denx.de. # # See file CREDITS for list of people who contributed to this # project. # # This program is free software; you can redistribute it and/or # modify it under the terms of the GNU General Public License as # published by the Free Software Foundation; either version 2 of # the License, or (at your option) any later version. # # This program is distributed in the hope that it will be useful, # but WITHOUT ANY WARRANTY; without even the implied warranty of # MERCHANTABILITY or FITNESS FOR A PARTICULAR PURPOSE. See the # GNU General Public License for more details. # # You should have received a copy of the GNU General Public License # along with this program; if not, write to the Free Software # Foundation, Inc., 59 Temple Place, Suite 330, Boston, # MA 02111-1307 USA See above for details of the license.

busybox

--- A note on GPL versions

BusyBox is distributed under version 2 of the General Public License (included in its entirety, below). Version 2 is the only version of this license which this version of BusyBox (or modified versions derived from this one) may be distributed under.

GNU GENERAL PUBLIC LICENSE

Version 2, June 1991

Copyright (C) 1989, 1991 Free Software Foundation, Inc.

51 Franklin St, Fifth Floor, Boston, MA 02110-1301 USA

Everyone is permitted to copy and distribute verbatim copies of this license document, but changing it is not allowed.

Preamble

The licenses for most software are designed to take away your freedom to share and change it. By contrast, the GNU General Public License is intended to guarantee your freedom to share and change free software--to make sure the software is free for all its users. This General Public License applies to most of the Free Software Foundation's software and to any other program whose authors commit to using it. (Some other Free Software Foundation software is covered by the GNU Lesser General Public License instead.) You can apply it to your programs, too.

When we speak of free software, we are referring to freedom, not price. Our General Public Licenses are designed to make sure that you have the freedom to distribute copies of free software (and charge for this service if you wish), that you receive source code or can get it if you want it, that you can change the software or use pieces of it in new free programs; and that you know you can do these things.

To protect your rights, we need to make restrictions that forbid anyone to deny you these rights or to ask you to surrender the rights. These restrictions translate to certain responsibilities for you if you distribute copies of the software, or if you modify it.

For example, if you distribute copies of such a program, whether gratis or for a fee, you must give the recipients all the rights that you have. You must make sure that they, too, receive or can get the source code. And you must show them these terms so they know their rights.

We protect your rights with two steps: (1) copyright the software, and (2) offer you this license which gives you legal permission to copy, distribute and/or modify the software.

Also, for each author's protection and ours, we want to make certain that everyone understands that there is no warranty for this free software. If the software is modified by someone else and passed on, we want its recipients to know that what they have is not the original, so that any problems introduced by others will not reflect on the original authors' reputations.

Finally, any free program is threatened constantly by software patents. We wish to avoid the danger that redistributors of a free program will individually obtain patent licenses, in effect making the program proprietary. To prevent this, we have made it clear that any patent must be licensed for everyone's free use or not licensed at all.

The precise terms and conditions for copying, distribution and modification follow.

TERMS AND CONDITIONS FOR COPYING, DISTRIBUTION AND MODIFICATION

0. This License applies to any program or other work which contains a notice placed by the copyright holder saying it may be distributed under the terms of this General Public License. The "Program", below, refers to any such program or work, and a "work based on the Program" means either the Program or any derivative work under copyright law: that is to say, a work containing the Program or a portion of it, either verbatim or with modifications and/or translated into another language. (Hereinafter, translation is included without limitation in the term "modification".) Each licensee is addressed as "you".

Activities other than copying, distribution and modification are not covered by this License; they are outside its scope. The act of running the Program is not restricted, and the output from the Program is covered only if its contents constitute a work based on the Program (independent of having been made by running the Program). Whether that is true depends on what the Program does.

1. You may copy and distribute verbatim copies of the Program's source code as you receive it, in any medium, provided that you conspicuously and appropriately publish on each copy an appropriate copyright notice and

disclaimer of warranty; keep intact all the notices that refer to this License and to the absence of any warranty; and give any other recipients of the Program a copy of this License along with the Program.

You may charge a fee for the physical act of transferring a copy, and you may at your option offer warranty protection in exchange for a fee.

2. You may modify your copy or copies of the Program or any portion of it, thus forming a work based on the Program, and copy and distribute such modifications or work under the terms of Section 1 above, provided that you also meet all of these conditions:

a) You must cause the modified files to carry prominent notices stating that you changed the files and the date of any change.

b) You must cause any work that you distribute or publish, that in whole or in part contains or is derived from the Program or any part thereof, to be licensed as a whole at no charge to all third parties under the terms of this License.

c) If the modified program normally reads commands interactively when run, you must cause it, when started running for such interactive use in the most ordinary way, to print or display an announcement including an appropriate copyright notice and a notice that there is no warranty (or else, saying that you provide a warranty) and that users may redistribute the program under these conditions, and telling the user how to view a copy of this License. (Exception: if the Program itself is interactive but does not normally print such an announcement, your work based on the Program is not required to print an announcement.)

These requirements apply to the modified work as a whole. If identifiable sections of that work are not derived from the Program, and can be reasonably considered independent and separate works in themselves, then this License, and its terms, do not apply to those sections when you distribute them as separate works. But when you distribute the same sections as part of a whole which is a work based on the Program, the distribution of the whole must be on the terms of this License, whose permissions for other

licensees extend to the entire whole, and thus to each and every part regardless of who wrote it.

Thus, it is not the intent of this section to claim rights or contest your rights to work written entirely by you; rather, the intent is to exercise the right to control the distribution of derivative or collective works based on the Program.

In addition, mere aggregation of another work not based on the Program with the Program (or with a work based on the Program) on a volume of a storage or distribution medium does not bring the other work under the scope of this License.

3. You may copy and distribute the Program (or a work based on it, under Section 2) in object code or executable form under the terms of Sections 1 and 2 above provided that you also do one of the following:

a) Accompany it with the complete corresponding machine-readable source code, which must be distributed under the terms of Sections 1 and 2 above on a medium customarily used for software interchange; or,

b) Accompany it with a written offer, valid for at least three years, to give any third party, for a charge no more than your cost of physically performing source distribution, a complete machine-readable copy of the corresponding source code, to be distributed under the terms of Sections 1 and 2 above on a medium customarily used for software interchange; or,

c) Accompany it with the information you received as to the offer to distribute corresponding source code. (This alternative is allowed only for noncommercial distribution and only if you received the program in object code or executable form with such an offer, in accord with Subsection b above.)

The source code for a work means the preferred form of the work for making modifications to it. For an executable work, complete source code means all the source code for all modules it contains, plus any associated interface definition files, plus the scripts used to control compilation and installation of the executable. However, as a special exception, the source code distributed

need not include anything that is normally distributed (in either source or binary form) with the major components (compiler, kernel, and so on) of the operating system on which the executable runs, unless that component itself accompanies the executable.

If distribution of executable or object code is made by offering access to copy from a designated place, then offering equivalent access to copy the source code from the same place counts as distribution of the source code, even though third parties are not compelled to copy the source along with the object code.

4. You may not copy, modify, sublicense, or distribute the Program except as expressly provided under this License. Any attempt otherwise to copy, modify, sublicense or distribute the Program is void, and will automatically terminate your rights under this License. However, parties who have received copies, or rights, from you under this License will not have their licenses terminated so long as such parties remain in full compliance.

5. You are not required to accept this License, since you have not signed it. However, nothing else grants you permission to modify or distribute the Program or its derivative works. These actions are prohibited by law if you do not accept this License. Therefore, by modifying or distributing the Program (or any work based on the Program), you indicate your acceptance of this License to do so, and all its terms and conditions for copying, distributing or modifying the Program or works based on it.

6. Each time you redistribute the Program (or any work based on the Program), the recipient automatically receives a license from the original licensor to copy, distribute or modify the Program subject to these terms and conditions. You may not impose any further restrictions on the recipients' exercise of the rights granted herein. You are not responsible for enforcing compliance by third parties to this License.

7. If, as a consequence of a court judgment or allegation of patent infringement or for any other reason (not limited to patent issues), conditions are imposed on you (whether by court order, agreement or otherwise) that contradict the conditions of this License, they do not excuse you from the conditions of this License. If you cannot distribute so as to satisfy simultaneously your obligations under this License and any other pertinent obligations, then as a consequence you may not distribute the Program at all. For example, if a patent license would not permit royalty-free redistribution of the Program by all those who receive copies directly or indirectly through

you, then the only way you could satisfy both it and this License would be to refrain entirely from distribution of the Program.

If any portion of this section is held invalid or unenforceable under any particular circumstance, the balance of the section is intended to apply and the section as a whole is intended to apply in other circumstances.

It is not the purpose of this section to induce you to infringe any patents or other property right claims or to contest validity of any such claims; this section has the sole purpose of protecting the integrity of the free software distribution system, which is implemented by public license practices. Many people have made generous contributions to the wide range of software distributed through that system in reliance on consistent application of that system; it is up to the author/donor to decide if he or she is willing to distribute software through any other system and a licensee cannot impose that choice.

This section is intended to make thoroughly clear what is believed to be a consequence of the rest of this License.

8. If the distribution and/or use of the Program is restricted in certain countries either by patents or by copyrighted interfaces, the original copyright holder who places the Program under this License may add an explicit geographical distribution limitation excluding those countries, so that distribution is permitted only in or among countries not thus excluded. In such case, this License incorporates the limitation as if written in the body of this License.

9. The Free Software Foundation may publish revised and/or new versions of the General Public License from time to time. Such new versions will be similar in spirit to the present version, but may differ in detail to address new problems or concerns.

Each version is given a distinguishing version number. If the Program specifies a version number of this License which applies to it and "any later version", you have the option of following the terms and conditions either of that version or of any later version published by the Free Software Foundation. If the Program does not specify a version number of this License, you may choose any version ever published by the Free Software Foundation.

10. If you wish to incorporate parts of the Program into other free programs whose distribution conditions are different, write to the author to ask for

permission. For software which is copyrighted by the Free Software Foundation, write to the Free Software Foundation; we sometimes make exceptions for this. Our decision will be guided by the two goals of preserving the free status of all derivatives of our free software and of promoting the sharing and reuse of software generally.

NO WARRANTY

11. BECAUSE THE PROGRAM IS LICENSED FREE OF CHARGE, THERE IS NO WARRANTY FOR THE PROGRAM, TO THE EXTENT PERMITTED BY APPLICABLE LAW. EXCEPT WHEN OTHERWISE STATED IN WRITING THE COPYRIGHT HOLDERS AND/OR OTHER PARTIES PROVIDE THE PROGRAM "AS IS" WITHOUT WARRANTY OF ANY KIND, EITHER EXPRESSED OR IMPLIED, INCLUDING, BUT NOT LIMITED TO, THE IMPLIED WARRANTIES OF MERCHANTABILITY AND FITNESS FOR A PARTICULAR PURPOSE. THE ENTIRE RISK AS TO THE QUALITY AND PERFORMANCE OF THE PROGRAM IS WITH YOU. SHOULD THE PROGRAM PROVE DEFECTIVE, YOU ASSUME THE COST OF ALL NECESSARY SERVICING, REPAIR OR CORRECTION.

12. IN NO EVENT UNLESS REQUIRED BY APPLICABLE LAW OR AGREED TO IN WRITING WILL ANY COPYRIGHT HOLDER, OR ANY OTHER PARTY WHO MAY MODIFY AND/OR REDISTRIBUTE THE PROGRAM AS PERMITTED ABOVE, BE LIABLE TO YOU FOR DAMAGES, INCLUDING ANY GENERAL, SPECIAL, INCIDENTAL OR CONSEQUENTIAL DAMAGES ARISING OUT OF THE USE OR INABILITY TO USE THE PROGRAM (INCLUDING BUT NOT LIMITED TO LOSS OF DATA OR DATA BEING RENDERED INACCURATE OR LOSSES SUSTAINED BY YOU OR THIRD PARTIES OR A FAILURE OF THE PROGRAM TO OPERATE WITH ANY OTHER PROGRAMS), EVEN IF SUCH HOLDER OR OTHER PARTY HAS BEEN ADVISED OF THE POSSIBILITY OF SUCH DAMAGES.

END OF TERMS AND CONDITIONS

dnsmasq

This program is free software; you can redistribute it and/or modify
it under the terms of the GNU General Public License as published by
the Free Software Foundation; version 2 dated June, 1991, or
(at your option) version 3 dated 29 June, 2007.

See above for details of the license.

dropbear

Dropbear contains a number of components from different sources, hence there are a few licenses and authors involved. All licenses are fairly non-restrictive.

The majority of code is written by Matt Johnston, under the license below.

Portions of the client-mode work are (c) 2004 Mihnea Stoenescu, under the same license:

Copyright (c) 2002-2008 Matt Johnston
Portions copyright (c) 2004 Mihnea Stoenescu
All rights reserved.

Permission is hereby granted, free of charge, to any person obtaining a copy of this software and associated documentation files (the "Software"), to deal in the Software without restriction, including without limitation the rights to use, copy, modify, merge, publish, distribute, sublicense, and/or sell copies of the Software, and to permit persons to whom the Software is furnished to do so, subject to the following conditions:

The above copyright notice and this permission notice shall be included in all copies or substantial portions of the Software.

THE SOFTWARE IS PROVIDED "AS IS", WITHOUT WARRANTY OF ANY KIND, EXPRESS OR IMPLIED, INCLUDING BUT NOT LIMITED TO THE WARRANTIES OF MERCHANTABILITY, FITNESS FOR A PARTICULAR PURPOSE AND NONINFRINGEMENT. IN NO EVENT SHALL THE AUTHORS OR COPYRIGHT HOLDERS BE LIABLE FOR ANY CLAIM, DAMAGES OR OTHER LIABILITY, WHETHER IN AN ACTION OF CONTRACT, TORT OR OTHERWISE, ARISING FROM, OUT OF OR IN CONNECTION WITH THE SOFTWARE OR THE USE OR OTHER DEALINGS IN THE SOFTWARE.

=====

LibTomCrypt and LibTomMath are written by Tom St Denis, and are Public Domain.

=====

sshpty.c is taken from OpenSSH 3.5p1,
Copyright (c) 1995 Tatu Ylonen <ylo@cs.hut.fi>, Espoo, Finland
All rights reserved

"As far as I am concerned, the code I have written for this software can be used freely for any purpose. Any derived versions of this software must be clearly marked as such, and if the derived work is incompatible with the protocol description in the RFC file, it must be called by a name other than "ssh" or "Secure Shell". "

=====

loginrec.c
loginrec.h

atomicio.h
atomicio.c
and strlcat() (included in util.c) are from OpenSSH 3.6.1p2, and are licensed under the 2 point BSD license.

loginrec is written primarily by Andre Lucas, atomicio.c by Theo de Raadt.

strlcat() is (c) Todd C. Miller

=====

Import code in keyimport.c is modified from PuTTY's import.c, licensed as follows:

PuTTY is copyright 1997-2003 Simon Tatham.

Portions copyright Robert de Bath, Joris van Rantwijk, Delian Delchev, Andreas Schultz, Jeroen Massar, Wez Furlong, Nicolas Barry, Justin Bradford, and CORE SDI S.A.

Permission is hereby granted, free of charge, to any person obtaining a copy of this software and associated documentation files (the "Software"), to deal in the Software without restriction, including without limitation the rights to use, copy, modify, merge, publish, distribute, sublicense, and/or sell copies of the Software, and to permit persons to whom the Software is furnished to do so, subject to the following conditions:

The above copyright notice and this permission notice shall be included in all copies or substantial portions of the Software.

THE SOFTWARE IS PROVIDED "AS IS", WITHOUT WARRANTY OF ANY KIND, EXPRESS OR IMPLIED, INCLUDING BUT NOT LIMITED TO THE WARRANTIES OF MERCHANTABILITY, FITNESS FOR A PARTICULAR PURPOSE AND NONINFRINGEMENT. IN NO EVENT SHALL THE COPYRIGHT HOLDERS BE LIABLE FOR ANY CLAIM, DAMAGES OR OTHER LIABILITY, WHETHER IN AN ACTION OF CONTRACT, TORT OR OTHERWISE, ARISING FROM, OUT OF OR IN CONNECTION WITH THE SOFTWARE OR THE USE OR OTHER DEALINGS IN THE SOFTWARE.

<i>hostapd</i>	<p>Copyright (c) 2002-2011, Jouni Malinen <j@w1.fi> and contributors All Rights Reserved.</p> <p>These programs are dual-licensed under both the GPL version 2 and BSD license (the one with advertisement clause removed). Either license may be used at your option.</p> <p>This package may include either wpa_supplicant, hostapd, or both. See README file respective subdirectories (wpa_supplicant/README or hostapd/README) for more details.</p> <p>See above for details of the license.</p>
<i>iproute2</i>	<p>GNU GENERAL PUBLIC LICENSE Version 2, June 1991</p> <p>Copyright (C) 1989, 1991 Free Software Foundation, Inc. 51 Franklin St, Fifth Floor, Boston, MA 02110-1301 USA Everyone is permitted to copy and distribute verbatim copies of this license document, but changing it is not allowed.</p> <p>See above for details of the license.</p>
<i>iptables</i>	<p>GNU GENERAL PUBLIC LICENSE Version 2, June 1991</p> <p>Copyright (C) 1989, 1991 Free Software Foundation, Inc. 675 Mass Ave, Cambridge, MA 02139, USA Everyone is permitted to copy and distribute verbatim copies of this license document, but changing it is not allowed.</p> <p>See above for details of the license.</p>

<p><i>Openssl</i></p>	<p>LICENSE ISSUES =====</p> <p>The OpenSSL toolkit stays under a dual license, i.e. both the conditions of the OpenSSL License and the original SSLeay license apply to the toolkit. See below for the actual license texts. Actually both licenses are BSD-style Open Source licenses. In case of any license issues related to OpenSSL please contact openssl-core@openssl.org.</p> <p>OpenSSL License -----</p> <p>Copyright (c) 1998-2011 The OpenSSL Project. All rights reserved.</p> <p>Redistribution and use in source and binary forms, with or without modification, are permitted provided that the following conditions are met:</p> <ol style="list-style-type: none"> 1. Redistributions of source code must retain the above copyright notice, this list of conditions and the following disclaimer. 2. Redistributions in binary form must reproduce the above copyright notice, this list of conditions and the following disclaimer in the documentation and/or other materials provided with the distribution. 3. All advertising materials mentioning features or use of this software must display the following acknowledgment: "This product includes software developed by the OpenSSL Project for use in the OpenSSL Toolkit. (http://www.openssl.org/)" 4. The names "OpenSSL Toolkit" and "OpenSSL Project" must not be used to endorse or promote products derived from this software without prior written permission. For written permission, please contact openssl-core@openssl.org. 5. Products derived from this software may not be called "OpenSSL" nor may "OpenSSL" appear in their names without prior written permission of the OpenSSL Project. 6. Redistributions of any form whatsoever must retain the following acknowledgment: "This product includes software developed by the OpenSSL Project for use in the OpenSSL Toolkit (http://www.openssl.org/)" <p>THIS SOFTWARE IS PROVIDED BY THE OpenSSL PROJECT ``AS IS'' AND ANY EXPRESSED OR IMPLIED WARRANTIES, INCLUDING, BUT NOT LIMITED TO, THE IMPLIED WARRANTIES OF MERCHANTABILITY AND FITNESS FOR A PARTICULAR PURPOSE ARE DISCLAIMED. IN NO EVENT SHALL THE OpenSSL PROJECT OR ITS CONTRIBUTORS BE LIABLE FOR ANY DIRECT, INDIRECT, INCIDENTAL, SPECIAL, EXEMPLARY, OR CONSEQUENTIAL DAMAGES (INCLUDING, BUT NOT LIMITED TO, PROCUREMENT OF SUBSTITUTE GOODS OR SERVICES; LOSS OF USE, DATA, OR PROFITS; OR BUSINESS INTERRUPTION) HOWEVER CAUSED AND ON ANY THEORY OF LIABILITY, WHETHER IN CONTRACT, STRICT LIABILITY, OR TORT (INCLUDING NEGLIGENCE OR OTHERWISE) ARISING IN ANY WAY OUT OF THE USE OF THIS SOFTWARE, EVEN IF ADVISED OF THE POSSIBILITY OF SUCH DAMAGE.</p>
-----------------------	---

<p><i>c-ares</i></p>	<p>Copyright 1998 by the Massachusetts Institute of Technology.</p> <p>Permission to use, copy, modify, and distribute this software and its documentation for any purpose and without fee is hereby granted, provided that the above copyright notice appear in all copies and that both that copyright notice and this permission notice appear in supporting documentation, and that the name of M.I.T. not be used in advertising or publicity pertaining to distribution of the software without specific, written prior permission.</p> <p>M.I.T. makes no representations about the suitability of this software for any purpose. It is provided "as is" without express or implied warranty.</p>
<p><i>lighttpd</i></p>	<p>Copyright (c) 2004, Jan Kneschke, incremental All rights reserved.</p> <p>Redistribution and use in source and binary forms, with or without modification, are permitted provided that the following conditions are met:</p> <ul style="list-style-type: none"> - Redistributions of source code must retain the above copyright notice, this list of conditions and the following disclaimer. - Redistributions in binary form must reproduce the above copyright notice, this list of conditions and the following disclaimer in the documentation and/or other materials provided with the distribution. - Neither the name of the 'incremental' nor the names of its contributors may be used to endorse or promote products derived from this software without specific prior written permission. <p>THIS SOFTWARE IS PROVIDED BY THE COPYRIGHT HOLDERS AND CONTRIBUTORS "AS IS" AND ANY EXPRESS OR IMPLIED WARRANTIES, INCLUDING, BUT NOT LIMITED TO, THE IMPLIED WARRANTIES OF MERCHANTABILITY AND FITNESS FOR A PARTICULAR PURPOSE ARE DISCLAIMED. IN NO EVENT SHALL THE COPYRIGHT OWNER OR CONTRIBUTORS BE LIABLE FOR ANY DIRECT, INDIRECT, INCIDENTAL, SPECIAL, EXEMPLARY, OR CONSEQUENTIAL DAMAGES (INCLUDING, BUT NOT LIMITED TO, PROCUREMENT OF SUBSTITUTE GOODS OR SERVICES; LOSS OF USE, DATA, OR PROFITS; OR BUSINESS INTERRUPTION) HOWEVER CAUSED AND ON ANY THEORY OF LIABILITY, WHETHER IN CONTRACT, STRICT LIABILITY, OR TORT (INCLUDING NEGLIGENCE OR OTHERWISE) ARISING IN ANY WAY OUT OF THE USE OF THIS SOFTWARE, EVEN IF ADVISED OF THE POSSIBILITY OF SUCH DAMAGE.</p>

<i>libnl</i>	<p style="text-align: center;">GNU LESSER GENERAL PUBLIC LICENSE Version 2.1, February 1999</p> <p>Copyright (C) 1991, 1999 Free Software Foundation, Inc. 51 Franklin Street, Fifth Floor, Boston, MA 02110-1301 USA Everyone is permitted to copy and distribute verbatim copies of this license document, but changing it is not allowed.</p> <p>[This is the first released version of the Lesser GPL. It also counts as the successor of the GNU Library Public License, version 2, hence the version number 2.1.]</p> <p style="text-align: center;">Preamble</p> <p>The licenses for most software are designed to take away your freedom to share and change it. By contrast, the GNU General Public Licenses are intended to guarantee your freedom to share and change free software--to make sure the software is free for all its users.</p> <p>This license, the Lesser General Public License, applies to some specially designated software packages--typically libraries--of the Free Software Foundation and other authors who decide to use it. You can use it too, but we suggest you first think carefully about whether this license or the ordinary General Public License is the better strategy to use in any particular case, based on the explanations below.</p> <p>When we speak of free software, we are referring to freedom of use, not price. Our General Public Licenses are designed to make sure that you have the freedom to distribute copies of free software (and charge for this service if you wish); that you receive source code or can get it if you want it; that you can change the software and use pieces of it in new free programs; and that you are informed that you can do these things.</p> <p>To protect your rights, we need to make restrictions that forbid distributors to deny you these rights or to ask you to surrender these rights. These restrictions translate to certain responsibilities for you if you distribute copies of the library or if you modify it.</p> <p>For example, if you distribute copies of the library, whether gratis or for a fee, you must give the recipients all the rights that we gave you. You must make sure that they, too, receive or can get the source code. If you link other code with the library, you must provide complete object files to the recipients, so that they can relink them with the library after making changes to the library and recompiling it. And you must show them these terms so they know their rights.</p> <p>We protect your rights with a two-step method: (1) we copyright the library, and (2) we offer you this license, which gives you legal permission to copy, distribute and/or modify the library.</p> <p>To protect each distributor, we want to make it very clear that there is no warranty for the free library. Also, if the library is modified by someone else and passed on, the recipients should know</p>
--------------	--

that what they have is not the original version, so that the original author's reputation will not be affected by problems that might be introduced by others.

Finally, software patents pose a constant threat to the existence of any free program. We wish to make sure that a company cannot effectively restrict the users of a free program by obtaining a restrictive license from a patent holder. Therefore, we insist that any patent license obtained for a version of the library must be consistent with the full freedom of use specified in this license.

Most GNU software, including some libraries, is covered by the ordinary GNU General Public License. This license, the GNU Lesser General Public License, applies to certain designated libraries, and is quite different from the ordinary General Public License. We use this license for certain libraries in order to permit linking those libraries into non-free programs.

When a program is linked with a library, whether statically or using a shared library, the combination of the two is legally speaking a combined work, a derivative of the original library. The ordinary General Public License therefore permits such linking only if the entire combination fits its criteria of freedom. The Lesser General Public License permits more lax criteria for linking other code with the library.

We call this license the "Lesser" General Public License because it does Less to protect the user's freedom than the ordinary General Public License. It also provides other free software developers Less of an advantage over competing non-free programs. These disadvantages are the reason we use the ordinary General Public License for many libraries. However, the Lesser license provides advantages in certain special circumstances.

For example, on rare occasions, there may be a special need to encourage the widest possible use of a certain library, so that it becomes a de-facto standard. To achieve this, non-free programs must be allowed to use the library. A more frequent case is that a free library does the same job as widely used non-free libraries. In this case, there is little to gain by limiting the free library to free software only, so we use the Lesser General Public License.

In other cases, permission to use a particular library in non-free programs enables a greater number of people to use a large body of free software. For example, permission to use the GNU C Library in non-free programs enables many more people to use the whole GNU operating system, as well as its variant, the GNU/Linux operating system.

Although the Lesser General Public License is Less protective of the users' freedom, it does ensure that the user of a program that is linked with the Library has the freedom and the wherewithal to run that program using a modified version of the Library.

	<p>The precise terms and conditions for copying, distribution and modification follow. Pay close attention to the difference between a "work based on the library" and a "work that uses the library". The former contains code derived from the library, whereas the latter must be combined with the library in order to run.</p>
bridge-utils	<p>GNU GENERAL PUBLIC LICENSE Version 2, June 1991</p> <p>Copyright (C) 1989, 1991 Free Software Foundation, Inc. 59 Temple Place, Suite 330, Boston, MA 02111-1307 USA Everyone is permitted to copy and distribute verbatim copies of this license document, but changing it is not allowed.</p> <p>See above for details of the license.</p>
jansson	<p>Copyright (c) 2009-2013 Petri Lehtinen <petri@digip.org></p> <p>Permission is hereby granted, free of charge, to any person obtaining a copy of this software and associated documentation files (the "Software"), to deal in the Software without restriction, including without limitation the rights to use, copy, modify, merge, publish, distribute, sublicense, and/or sell copies of the Software, and to permit persons to whom the Software is furnished to do so, subject to the following conditions:</p> <p>The above copyright notice and this permission notice shall be included in all copies or substantial portions of the Software.</p> <p>THE SOFTWARE IS PROVIDED "AS IS", WITHOUT WARRANTY OF ANY KIND, EXPRESS OR IMPLIED, INCLUDING BUT NOT LIMITED TO THE WARRANTIES OF MERCHANTABILITY, FITNESS FOR A PARTICULAR PURPOSE AND NONINFRINGEMENT. IN NO EVENT SHALL THE AUTHORS OR COPYRIGHT HOLDERS BE LIABLE FOR ANY CLAIM, DAMAGES OR OTHER LIABILITY, WHETHER IN AN ACTION OF CONTRACT, TORT OR OTHERWISE, ARISING FROM, OUT OF OR IN CONNECTION WITH THE SOFTWARE OR THE USE OR OTHER DEALINGS IN THE SOFTWARE.</p>

libnl

GNU LESSER GENERAL PUBLIC LICENSE
Version 2.1, February 1999

Copyright (C) 1991, 1999 Free Software Foundation, Inc.
51 Franklin Street, Fifth Floor, Boston, MA 02110-1301 USA
Everyone is permitted to copy and distribute verbatim copies
of this license document, but changing it is not allowed.

[This is the first released version of the Lesser GPL. It also counts
as the successor of the GNU Library Public License, version 2, hence
the version number 2.1.]

Preamble

The licenses for most software are designed to take away your
freedom to share and change it. By contrast, the GNU General Public
Licenses are intended to guarantee your freedom to share and change
free software--to make sure the software is free for all its users.

This license, the Lesser General Public License, applies to some
specially designated software packages--typically libraries--of the
Free Software Foundation and other authors who decide to use it. You
can use it too, but we suggest you first think carefully about whether
this license or the ordinary General Public License is the better
strategy to use in any particular case, based on the explanations below.

When we speak of free software, we are referring to freedom of use,
not price. Our General Public Licenses are designed to make sure that
you have the freedom to distribute copies of free software (and charge
for this service if you wish); that you receive source code or can get
it if you want it; that you can change the software and use pieces of
it in new free programs; and that you are informed that you can do
these things.

To protect your rights, we need to make restrictions that forbid
distributors to deny you these rights or to ask you to surrender these
rights. These restrictions translate to certain responsibilities for
you if you distribute copies of the library or if you modify it.

For example, if you distribute copies of the library, whether gratis
or for a fee, you must give the recipients all the rights that we gave
you. You must make sure that they, too, receive or can get the source
code. If you link other code with the library, you must provide
complete object files to the recipients, so that they can relink them
with the library after making changes to the library and recompiling
it. And you must show them these terms so they know their rights.

We protect your rights with a two-step method: (1) we copyright the
library, and (2) we offer you this license, which gives you legal
permission to copy, distribute and/or modify the library.

To protect each distributor, we want to make it very clear that
there is no warranty for the free library. Also, if the library is
modified by someone else and passed on, the recipients should know

that what they have is not the original version, so that the original author's reputation will not be affected by problems that might be introduced by others.

Finally, software patents pose a constant threat to the existence of any free program. We wish to make sure that a company cannot effectively restrict the users of a free program by obtaining a restrictive license from a patent holder. Therefore, we insist that any patent license obtained for a version of the library must be consistent with the full freedom of use specified in this license.

Most GNU software, including some libraries, is covered by the ordinary GNU General Public License. This license, the GNU Lesser General Public License, applies to certain designated libraries, and is quite different from the ordinary General Public License. We use this license for certain libraries in order to permit linking those libraries into non-free programs.

When a program is linked with a library, whether statically or using a shared library, the combination of the two is legally speaking a combined work, a derivative of the original library. The ordinary General Public License therefore permits such linking only if the entire combination fits its criteria of freedom. The Lesser General Public License permits more lax criteria for linking other code with the library.

We call this license the "Lesser" General Public License because it does Less to protect the user's freedom than the ordinary General Public License. It also provides other free software developers Less of an advantage over competing non-free programs. These disadvantages are the reason we use the ordinary General Public License for many libraries. However, the Lesser license provides advantages in certain special circumstances.

For example, on rare occasions, there may be a special need to encourage the widest possible use of a certain library, so that it becomes a de-facto standard. To achieve this, non-free programs must be allowed to use the library. A more frequent case is that a free library does the same job as widely used non-free libraries. In this case, there is little to gain by limiting the free library to free software only, so we use the Lesser General Public License.

In other cases, permission to use a particular library in non-free programs enables a greater number of people to use a large body of free software. For example, permission to use the GNU C Library in non-free programs enables many more people to use the whole GNU operating system, as well as its variant, the GNU/Linux operating system.

Although the Lesser General Public License is Less protective of the users' freedom, it does ensure that the user of a program that is linked with the Library has the freedom and the wherewithal to run that program using a modified version of the Library.

	<p>The precise terms and conditions for copying, distribution and modification follow. Pay close attention to the difference between a "work based on the library" and a "work that uses the library". The former contains code derived from the library, whereas the latter must be combined with the library in order to run.</p>
<p>libwebsockets</p>	<p>GNU LESSER GENERAL PUBLIC LICENSE Version 2.1, February 1999</p> <p>Copyright (C) 1991, 1999 Free Software Foundation, Inc. 51 Franklin Street, Fifth Floor, Boston, MA 02110-1301 USA Everyone is permitted to copy and distribute verbatim copies of this license document, but changing it is not allowed.</p> <p>[This is the first released version of the Lesser GPL. It also counts as the successor of the GNU Library Public License, version 2, hence the version number 2.1.]</p> <p>See above for details of the license.</p>
<p>mtd</p>	<p>Copyright © 2005 Waldemar Brodkorb <wbx@dass-it.de> Copyright (C) 2005-2009 Felix Fietkau <ndb@openwrt.org></p> <p># # Copyright (C) 2006-2009 OpenWrt.org # # This is free software, licensed under the GNU General Public License v2. #</p> <p>See above for details of the license.</p>
<p>netsnmp</p>	<p>Various copyrights apply to this package, listed in various separate parts below. Please make sure that you read all the parts.</p> <p>---- Part 1: CMU/UCD copyright notice: (BSD like) ----</p> <p>Copyright 1989, 1991, 1992 by Carnegie Mellon University</p> <p>Derivative Work - 1996, 1998-2000</p> <p>Copyright 1996, 1998-2000 The Regents of the University of California</p> <p>All Rights Reserved</p> <p>Permission to use, copy, modify and distribute this software and its</p>

documentation for any purpose and without fee is hereby granted, provided that the above copyright notice appears in all copies and that both that copyright notice and this permission notice appear in supporting documentation, and that the name of CMU and The Regents of the University of California not be used in advertising or publicity pertaining to distribution of the software without specific written permission.

CMU AND THE REGENTS OF THE UNIVERSITY OF CALIFORNIA DISCLAIM ALL WARRANTIES WITH REGARD TO THIS SOFTWARE, INCLUDING ALL IMPLIED WARRANTIES OF MERCHANTABILITY AND FITNESS. IN NO EVENT SHALL CMU OR THE REGENTS OF THE UNIVERSITY OF CALIFORNIA BE LIABLE FOR ANY SPECIAL, INDIRECT OR CONSEQUENTIAL DAMAGES OR ANY DAMAGES WHATSOEVER RESULTING FROM THE LOSS OF USE, DATA OR PROFITS, WHETHER IN AN ACTION OF CONTRACT, NEGLIGENCE OR OTHER TORTIOUS ACTION, ARISING OUT OF OR IN CONNECTION WITH THE USE OR PERFORMANCE OF THIS SOFTWARE.

---- Part 2: Networks Associates Technology, Inc copyright notice (BSD) ----

Copyright (c) 2001-2003, Networks Associates Technology, Inc

All rights reserved.

Redistribution and use in source and binary forms, with or without modification, are permitted provided that the following conditions are met:

- * Redistributions of source code must retain the above copyright notice, this list of conditions and the following disclaimer.
 - * Redistributions in binary form must reproduce the above copyright notice, this list of conditions and the following disclaimer in the documentation and/or other materials provided with the distribution.
 - * Neither the name of the Networks Associates Technology, Inc nor the names of its contributors may be used to endorse or promote
-

products derived from this software without specific prior written permission.

THIS SOFTWARE IS PROVIDED BY THE COPYRIGHT HOLDERS AND CONTRIBUTORS "AS IS" AND ANY EXPRESS OR IMPLIED WARRANTIES, INCLUDING, BUT NOT LIMITED TO, THE IMPLIED WARRANTIES OF MERCHANTABILITY AND FITNESS FOR A PARTICULAR PURPOSE ARE DISCLAIMED. IN NO EVENT SHALL THE COPYRIGHT HOLDERS OR CONTRIBUTORS BE LIABLE FOR ANY DIRECT, INDIRECT, INCIDENTAL, SPECIAL, EXEMPLARY, OR CONSEQUENTIAL DAMAGES (INCLUDING, BUT NOT LIMITED TO, PROCUREMENT OF SUBSTITUTE GOODS OR SERVICES; LOSS OF USE, DATA, OR PROFITS; OR BUSINESS INTERRUPTION) HOWEVER CAUSED AND ON ANY THEORY OF LIABILITY, WHETHER IN CONTRACT, STRICT LIABILITY, OR TORT (INCLUDING NEGLIGENCE OR OTHERWISE) ARISING IN ANY WAY OUT OF THE USE OF THIS SOFTWARE, EVEN IF ADVISED OF THE POSSIBILITY OF SUCH DAMAGE.

---- Part 3: Cambridge Broadband Ltd. copyright notice (BSD) ----

Portions of this code are copyright (c) 2001-2003, Cambridge Broadband Ltd.

All rights reserved.

Redistribution and use in source and binary forms, with or without modification, are permitted provided that the following conditions are met:

- * Redistributions of source code must retain the above copyright notice, this list of conditions and the following disclaimer.
- * Redistributions in binary form must reproduce the above copyright notice, this list of conditions and the following disclaimer in the documentation and/or other materials provided with the distribution.
- * The name of Cambridge Broadband Ltd. may not be used to endorse or promote products derived from this software without specific prior written permission.

THIS SOFTWARE IS PROVIDED BY THE COPYRIGHT HOLDER "AS IS" AND ANY EXPRESS OR IMPLIED WARRANTIES, INCLUDING, BUT NOT LIMITED TO, THE IMPLIED WARRANTIES OF MERCHANTABILITY AND FITNESS FOR A PARTICULAR PURPOSE ARE DISCLAIMED. IN NO EVENT SHALL THE COPYRIGHT HOLDER BE LIABLE FOR ANY DIRECT, INDIRECT, INCIDENTAL, SPECIAL, EXEMPLARY, OR CONSEQUENTIAL DAMAGES (INCLUDING, BUT NOT LIMITED TO, PROCUREMENT OF SUBSTITUTE GOODS OR SERVICES; LOSS OF USE, DATA, OR PROFITS; OR BUSINESS INTERRUPTION)

HOWEVER CAUSED AND ON ANY THEORY OF LIABILITY, WHETHER IN CONTRACT, STRICT LIABILITY, OR TORT (INCLUDING NEGLIGENCE OR OTHERWISE) ARISING IN ANY WAY OUT OF THE USE OF THIS SOFTWARE, EVEN IF ADVISED OF THE POSSIBILITY OF SUCH DAMAGE.

---- Part 4: Sun Microsystems, Inc. copyright notice (BSD) ----

Copyright © 2003 Sun Microsystems, Inc., 4150 Network Circle, Santa Clara, California 95054, U.S.A. All rights reserved.

Use is subject to license terms below.

This distribution may include materials developed by third parties.

Sun, Sun Microsystems, the Sun logo and Solaris are trademarks or registered trademarks of Sun Microsystems, Inc. in the U.S. and other countries. Redistribution and use in source and binary forms, with or without modification, are permitted provided that the following conditions are met:

- * Redistributions of source code must retain the above copyright notice, this list of conditions and the following disclaimer.
- * Redistributions in binary form must reproduce the above copyright notice, this list of conditions and the following disclaimer in the documentation and/or other materials provided with the distribution.
- * Neither the name of the Sun Microsystems, Inc. nor the names of its contributors may be used to endorse or promote products derived from this software without specific prior written permission.

THIS SOFTWARE IS PROVIDED BY THE COPYRIGHT HOLDERS AND CONTRIBUTORS "AS IS" AND ANY EXPRESS OR IMPLIED WARRANTIES, INCLUDING, BUT NOT LIMITED TO, THE IMPLIED WARRANTIES OF MERCHANTABILITY AND FITNESS FOR A PARTICULAR PURPOSE ARE DISCLAIMED. IN NO EVENT SHALL THE COPYRIGHT HOLDERS OR CONTRIBUTORS BE LIABLE FOR ANY DIRECT, INDIRECT, INCIDENTAL, SPECIAL, EXEMPLARY, OR CONSEQUENTIAL DAMAGES (INCLUDING, BUT NOT LIMITED TO, PROCUREMENT OF SUBSTITUTE GOODS OR SERVICES; LOSS OF USE, DATA, OR PROFITS; OR BUSINESS INTERRUPTION) HOWEVER CAUSED AND ON ANY THEORY OF LIABILITY, WHETHER IN CONTRACT, STRICT LIABILITY, OR TORT (INCLUDING NEGLIGENCE OR

OTHERWISE) ARISING IN ANY WAY OUT OF THE USE OF THIS SOFTWARE, EVEN IF ADVISED OF THE POSSIBILITY OF SUCH DAMAGE.

---- Part 5: Sparta, Inc copyright notice (BSD) ----

Copyright (c) 2003-2012, Sparta, Inc

All rights reserved.

Redistribution and use in source and binary forms, with or without

modification, are permitted provided that the following conditions are met:

* Redistributions of source code must retain the above copyright notice, this list of conditions and the following disclaimer.

* Redistributions in binary form must reproduce the above copyright notice, this list of conditions and the following disclaimer in the documentation and/or other materials provided with the distribution.

* Neither the name of Sparta, Inc nor the names of its contributors may be used to endorse or promote products derived from this software without specific prior written permission.

THIS SOFTWARE IS PROVIDED BY THE COPYRIGHT HOLDERS AND CONTRIBUTORS "AS IS" AND ANY EXPRESS OR IMPLIED WARRANTIES, INCLUDING, BUT NOT LIMITED TO, THE IMPLIED WARRANTIES OF MERCHANTABILITY AND FITNESS FOR A PARTICULAR PURPOSE ARE DISCLAIMED. IN NO EVENT SHALL THE COPYRIGHT HOLDERS OR CONTRIBUTORS BE LIABLE FOR ANY DIRECT, INDIRECT, INCIDENTAL, SPECIAL, EXEMPLARY, OR CONSEQUENTIAL DAMAGES (INCLUDING, BUT NOT LIMITED TO, PROCUREMENT OF SUBSTITUTE GOODS OR SERVICES; LOSS OF USE, DATA, OR PROFITS; OR BUSINESS INTERRUPTION) HOWEVER CAUSED AND ON ANY THEORY OF LIABILITY, WHETHER IN CONTRACT, STRICT LIABILITY, OR TORT (INCLUDING NEGLIGENCE OR OTHERWISE) ARISING IN ANY WAY OUT OF THE USE OF THIS SOFTWARE, EVEN IF ADVISED OF THE POSSIBILITY OF SUCH DAMAGE.

---- Part 6: Cisco/BUPTNIC copyright notice (BSD) ----

Copyright (c) 2004, Cisco, Inc and Information Network

Center of Beijing University of Posts and Telecommunications.

All rights reserved.

Redistribution and use in source and binary forms, with or without

modification, are permitted provided that the following conditions are met:

* Redistributions of source code must retain the above copyright notice, this list of conditions and the following disclaimer.

* Redistributions in binary form must reproduce the above copyright notice, this list of conditions and the following disclaimer in the documentation and/or other materials provided with the distribution.

* Neither the name of Cisco, Inc, Beijing University of Posts and Telecommunications, nor the names of their contributors may be used to endorse or promote products derived from this software without specific prior written permission.

THIS SOFTWARE IS PROVIDED BY THE COPYRIGHT HOLDERS AND CONTRIBUTORS "AS IS" AND ANY EXPRESS OR IMPLIED WARRANTIES, INCLUDING, BUT NOT LIMITED TO, THE IMPLIED WARRANTIES OF MERCHANTABILITY AND FITNESS FOR A PARTICULAR PURPOSE ARE DISCLAIMED. IN NO EVENT SHALL THE COPYRIGHT HOLDERS OR CONTRIBUTORS BE LIABLE FOR ANY DIRECT, INDIRECT, INCIDENTAL, SPECIAL, EXEMPLARY, OR CONSEQUENTIAL DAMAGES (INCLUDING, BUT NOT LIMITED TO, PROCUREMENT OF SUBSTITUTE GOODS OR SERVICES; LOSS OF USE, DATA, OR PROFITS; OR BUSINESS INTERRUPTION) HOWEVER CAUSED AND ON ANY THEORY OF LIABILITY, WHETHER IN CONTRACT, STRICT LIABILITY, OR TORT (INCLUDING NEGLIGENCE OR OTHERWISE) ARISING IN ANY WAY OUT OF THE USE OF THIS SOFTWARE, EVEN IF ADVISED OF THE POSSIBILITY OF SUCH DAMAGE.

---- Part 7: Fabasoft R&D Software GmbH & Co KG copyright notice (BSD) ----

Copyright (c) Fabasoft R&D Software GmbH & Co KG, 2003

oss@fabasoft.com

Author: Bernhard Penz bernhard.penz@fabasoft.com Redistribution and use in source and binary forms, with or without modification, are permitted provided that the following conditions are met:

* Redistributions of source code must retain the above copyright notice, this list of conditions and the following disclaimer.

* Redistributions in binary form must reproduce the above copyright notice, this list of conditions and the following disclaimer in the documentation and/or other materials provided with the distribution.

* The name of Fabasoft R&D Software GmbH & Co KG or any of its subsidiaries, brand or product names may not be used to endorse or promote products derived from this software without specific prior written permission.

THIS SOFTWARE IS PROVIDED BY THE COPYRIGHT HOLDER "AS IS" AND ANY EXPRESS OR IMPLIED WARRANTIES, INCLUDING, BUT NOT LIMITED TO, THE IMPLIED WARRANTIES OF MERCHANTABILITY AND FITNESS FOR A PARTICULAR PURPOSE ARE DISCLAIMED. IN NO EVENT SHALL THE

COPYRIGHT HOLDER BE LIABLE FOR ANY DIRECT, INDIRECT, INCIDENTAL, SPECIAL, EXEMPLARY, OR CONSEQUENTIAL DAMAGES (INCLUDING, BUT NOT LIMITED TO, PROCUREMENT OF SUBSTITUTE GOODS OR SERVICES; LOSS OF USE, DATA, OR PROFITS; OR BUSINESS INTERRUPTION) HOWEVER CAUSED AND ON ANY THEORY OF LIABILITY, WHETHER IN CONTRACT, STRICT LIABILITY, OR TORT (INCLUDING NEGLIGENCE OR OTHERWISE) ARISING IN ANY WAY OUT OF THE USE OF THIS SOFTWARE, EVEN IF ADVISED OF THE POSSIBILITY OF SUCH DAMAGE.

---- Part 8: Apple Inc. copyright notice (BSD) ----

Copyright (c) 2007 Apple Inc. All rights reserved.

Redistribution and use in source and binary forms, with or without modification, are permitted provided that the following conditions are met:

1. Redistributions of source code must retain the above copyright notice, this list of conditions and the following disclaimer.
2. Redistributions in binary form must reproduce the above copyright notice, this list of conditions and the following disclaimer in the documentation and/or other materials provided with the distribution.
3. Neither the name of Apple Inc. ("Apple") nor the names of its contributors may be used to endorse or promote products derived from this software without specific prior written permission.

THIS SOFTWARE IS PROVIDED BY APPLE AND ITS CONTRIBUTORS "AS IS" AND ANY EXPRESS OR IMPLIED WARRANTIES, INCLUDING, BUT NOT LIMITED TO, THE IMPLIED WARRANTIES OF MERCHANTABILITY AND FITNESS FOR A PARTICULAR PURPOSE ARE DISCLAIMED. IN NO EVENT SHALL APPLE OR ITS CONTRIBUTORS BE LIABLE FOR ANY DIRECT, INDIRECT, INCIDENTAL, SPECIAL, EXEMPLARY, OR CONSEQUENTIAL DAMAGES (INCLUDING, BUT NOT LIMITED TO, PROCUREMENT OF SUBSTITUTE GOODS OR SERVICES; LOSS OF USE, DATA, OR PROFITS; OR BUSINESS INTERRUPTION) HOWEVER CAUSED AND ON ANY THEORY OF LIABILITY, WHETHER IN CONTRACT, STRICT LIABILITY, OR TORT (INCLUDING NEGLIGENCE OR OTHERWISE) ARISING IN ANY WAY OUT OF THE USE OF THIS SOFTWARE, EVEN IF ADVISED OF THE POSSIBILITY OF SUCH DAMAGE.

---- Part 9: ScienceLogic, LLC copyright notice (BSD) ----

Copyright (c) 2009, ScienceLogic, LLC

All rights reserved.

Redistribution and use in source and binary forms, with or without

	<p>modification, are permitted provided that the following conditions are met:</p> <ul style="list-style-type: none"> * Redistributions of source code must retain the above copyright notice, this list of conditions and the following disclaimer. * Redistributions in binary form must reproduce the above copyright notice, this list of conditions and the following disclaimer in the documentation and/or other materials provided with the distribution. * Neither the name of ScienceLogic, LLC nor the names of its contributors may be used to endorse or promote products derived from this software without specific prior written permission. <p>THIS SOFTWARE IS PROVIDED BY THE COPYRIGHT HOLDERS AND CONTRIBUTORS "AS IS" AND ANY EXPRESS OR IMPLIED WARRANTIES, INCLUDING, BUT NOT LIMITED TO, THE IMPLIED WARRANTIES OF MERCHANTABILITY AND FITNESS FOR A PARTICULAR PURPOSE ARE DISCLAIMED. IN NO EVENT SHALL THE COPYRIGHT HOLDERS OR CONTRIBUTORS BE LIABLE FOR ANY DIRECT, INDIRECT, INCIDENTAL, SPECIAL, EXEMPLARY, OR CONSEQUENTIAL DAMAGES (INCLUDING, BUT NOT LIMITED TO, PROCUREMENT OF SUBSTITUTE GOODS OR SERVICES; LOSS OF USE, DATA, OR PROFITS; OR BUSINESS INTERRUPTION) HOWEVER CAUSED AND ON ANY THEORY OF LIABILITY, WHETHER IN CONTRACT, STRICT LIABILITY, OR TORT (INCLUDING NEGLIGENCE OR OTHERWISE) ARISING IN ANY WAY OUT OF THE USE OF THIS SOFTWARE, EVEN IF ADVISED OF THE POSSIBILITY OF SUCH DAMAGE.</p>
<p><i>rng-tools</i></p>	<p>GNU GENERAL PUBLIC LICENSE Version 2, June 1991</p> <p>Copyright (C) 1989, 1991 Free Software Foundation, Inc. 51 Franklin St, Fifth Floor, Boston, MA 02110-1301 USA Everyone is permitted to copy and distribute verbatim copies of this license document, but changing it is not allowed.</p> <p>See above for details of the license.</p>

strace	<p>Copyright (c) 1991, 1992 Paul Kranenburg <pk@cs.few.eur.nl> Copyright (c) 1993 Branko Lankester <branko@hacktic.nl> Copyright (c) 1993 Ulrich Pegelow <pegelow@moorea.uni-muenster.de> Copyright (c) 1995, 1996 Michael Elizabeth Chastain <mec@duracef.shout.net> Copyright (c) 1993, 1994, 1995, 1996 Rick Sladkey <jrs@world.std.com> Copyright (C) 1998-2001 Wichert Akkerman <wakkerma@deephackmode.org> All rights reserved.</p> <p>Redistribution and use in source and binary forms, with or without modification, are permitted provided that the following conditions are met:</p> <ol style="list-style-type: none"> 1. Redistributions of source code must retain the above copyright notice, this list of conditions and the following disclaimer. 2. Redistributions in binary form must reproduce the above copyright notice, this list of conditions and the following disclaimer in the documentation and/or other materials provided with the distribution. 3. The name of the author may not be used to endorse or promote products derived from this software without specific prior written permission. <p>THIS SOFTWARE IS PROVIDED BY THE AUTHOR "AS IS" AND ANY EXPRESS OR IMPLIED WARRANTIES, INCLUDING, BUT NOT LIMITED TO, THE IMPLIED WARRANTIES OF MERCHANTABILITY AND FITNESS FOR A PARTICULAR PURPOSE ARE DISCLAIMED.</p> <p>IN NO EVENT SHALL THE AUTHOR BE LIABLE FOR ANY DIRECT, INDIRECT, INCIDENTAL, SPECIAL, EXEMPLARY, OR CONSEQUENTIAL DAMAGES (INCLUDING, BUT NOT LIMITED TO, PROCUREMENT OF SUBSTITUTE GOODS OR SERVICES; LOSS OF USE, DATA, OR PROFITS; OR BUSINESS INTERRUPTION) HOWEVER CAUSED AND ON ANY THEORY OF LIABILITY, WHETHER IN CONTRACT, STRICT LIABILITY, OR TORT (INCLUDING NEGLIGENCE OR OTHERWISE) ARISING IN ANY WAY OUT OF THE USE OF THIS SOFTWARE, EVEN IF ADVISED OF THE POSSIBILITY OF SUCH DAMAGE.</p>
stunnel	<p>Copyright (C) 1998-2014 Michal Trojnara</p> <p>This program is free software; you can redistribute it and/or modify it under the terms of the GNU General Public License as published by the Free Software Foundation; either version 2 of the License, or (at your option) any later version.</p> <p>This program is distributed in the hope that it will be useful, but WITHOUT ANY WARRANTY; without even the implied warranty of MERCHANTABILITY or FITNESS FOR A PARTICULAR PURPOSE. See the GNU General Public License for more details.</p> <p>You should have received a copy of the GNU General Public License along with this program; if not, see <http://www.gnu.org/licenses>.</p>

	<p>Linking stunnel statically or dynamically with other modules is making a combined work based on stunnel. Thus, the terms and conditions of the GNU General Public License cover the whole combination.</p> <p>In addition, as a special exception, the copyright holder of stunnel gives you permission to combine stunnel with free software programs or libraries that are released under the GNU LGPL and with code included in the standard release of OpenSSL under the OpenSSL License (or modified versions of such code, with unchanged license). You may copy and distribute such a system following the terms of the GNU GPL for stunnel and the licenses of the other code concerned.</p> <p>Note that people who make modified versions of stunnel are not obligated to grant this special exception for their modified versions; it is their choice whether to do so. The GNU General Public License gives permission to release a modified version without this exception; this exception also makes it possible to release a modified version which carries forward this exception.</p>
<i>tcpdump</i>	<p>Copyright (c) 1991, 1992 Paul Kranenburg <pk@cs.few.eur.nl> Copyright (c) 1993 Branko Lankester <branko@hacktic.nl> Copyright (c) 1993 Ulrich Pegelow <pegelow@moorea.uni-muenster.de> Copyright (c) 1995, 1996 Michael Elizabeth Chastain <mec@duracef.shout.net> Copyright (c) 1993, 1994, 1995, 1996 Rick Sladkey <jrs@world.std.com> Copyright (C) 1998-2001 Wichert Akkerman <wakkerma@deephackmode.org> All rights reserved.</p> <p>See above for details of the license.</p>
<i>uboot-tools</i>	<p>GNU GENERAL PUBLIC LICENSE Version 2, June 1991</p> <p>Copyright (C) 1989, 1991 Free Software Foundation, Inc. 59 Temple Place, Suite 330, Boston, MA 02111-1307 USA Everyone is permitted to copy and distribute verbatim copies of this license document, but changing it is not allowed.</p> <p>See above for details of the license.</p>

wireless_tools	<p>GNU GENERAL PUBLIC LICENSE Version 2, June 1991</p> <p>Copyright (C) 1989, 1991 Free Software Foundation, Inc. 59 Temple Place, Suite 330, Boston, MA 02111-1307 USA Everyone is permitted to copy and distribute verbatim copies of this license document, but changing it is not allowed.</p> <p>See above for details of the license.</p>
linux	<p>GNU GENERAL PUBLIC LICENSE Version 2, June 1991</p> <p>Copyright (C) 1989, 1991 Free Software Foundation, Inc. 59 Temple Place, Suite 330, Boston, MA 02111-1307 USA Everyone is permitted to copy and distribute verbatim copies of this license document, but changing it is not allowed.</p> <p>See above for details of the license.</p>
libcli	<p>GNU LESSER GENERAL PUBLIC LICENSE Version 2.1, February 1999</p> <p>Copyright (C) 1991, 1999 Free Software Foundation, Inc. 51 Franklin Street, Fifth Floor, Boston, MA 02110-1301 USA Everyone is permitted to copy and distribute verbatim copies of this license document, but changing it is not allowed.</p> <p>[This is the first released version of the Lesser GPL. It also counts as the successor of the GNU Library Public License, version 2, hence the version number 2.1.]</p> <p>See above for details of the license.</p>

libscmd	<p>GNU LESSER GENERAL PUBLIC LICENSE Version 2.1, February 1999</p> <p>Copyright (C) 1991, 1999 Free Software Foundation, Inc. 51 Franklin Street, Fifth Floor, Boston, MA 02110-1301 USA Everyone is permitted to copy and distribute verbatim copies of this license document, but changing it is not allowed.</p> <p>[This is the first released version of the Lesser GPL. It also counts as the successor of the GNU Library Public License, version 2, hence the version number 2.1.]</p> <p>See above for details of the license.</p>
angular	<p>The MIT License</p> <p>Copyright (c) 2010-2015 Google, Inc. http://angularjs.org</p> <p>Permission is hereby granted, free of charge, to any person obtaining a copy of this software and associated documentation files (the "Software"), to deal in the Software without restriction, including without limitation the rights to use, copy, modify, merge, publish, distribute, sublicense, and/or sell copies of the Software, and to permit persons to whom the Software is furnished to do so, subject to the following conditions:</p> <p>The above copyright notice and this permission notice shall be included in all copies or substantial portions of the Software.</p> <p>THE SOFTWARE IS PROVIDED "AS IS", WITHOUT WARRANTY OF ANY KIND, EXPRESS OR IMPLIED, INCLUDING BUT NOT LIMITED TO THE WARRANTIES OF MERCHANTABILITY, FITNESS FOR A PARTICULAR PURPOSE AND NONINFRINGEMENT. IN NO EVENT SHALL THE AUTHORS OR COPYRIGHT HOLDERS BE LIABLE FOR ANY CLAIM, DAMAGES OR OTHER LIABILITY, WHETHER IN AN ACTION OF CONTRACT, TORT OR OTHERWISE, ARISING FROM, OUT OF OR IN CONNECTION WITH THE SOFTWARE OR THE USE OR OTHER DEALINGS IN THE SOFTWARE.</p>
angular-ui	<p>The MIT License</p> <p>Copyright (c) 2010-2015 Google, Inc. http://angularjs.org</p> <p>See above for details of the license.</p>

<i>angular-ui-bootstrap</i>	<p>The MIT License</p> <p>Copyright (c) 2010-2015 Google, Inc. http://angularjs.org</p> <p>See above for details of the license.</p>
<i>angular-ui-grid</i>	<p>The MIT License</p> <p>Copyright (c) 2010-2015 Google, Inc. http://angularjs.org</p> <p>See above for details of the license.</p>
<i>bootstrap</i>	<p>The MIT License</p> <p>Copyright (c) 2010-2015 Google, Inc. http://angularjs.org</p> <p>See above for details of the license.</p>
<i>c3</i>	<p>The MIT License</p> <p>Copyright (c) 2010-2015 Google, Inc. http://angularjs.org</p> <p>See above for details of the license.</p>
<i>jquery</i>	<p>The MIT License</p> <p>Copyright (c) 2010-2015 Google, Inc. http://angularjs.org</p> <p>See above for details of the license.</p>
<i>cambium_ipr t</i>	<p>GNU GENERAL PUBLIC LICENSE Version 2, June 1991</p> <p>Copyright (C) 1989, 1991 Free Software Foundation, Inc. 59 Temple Place, Suite 330, Boston, MA 02111-1307 USA Everyone is permitted to copy and distribute verbatim copies of this license document, but changing it is not allowed.</p> <p>See above for details of the license.</p>

