

Side Mount Kits DB5001, DB5002, DB5007, and DB5012



GENERAL INFORMATION

The DB5001, DB5002, DB5007, and DB5012 are heavy-duty mounting kits that are used to side-mount antennas to a mast or tower leg.

The **DB5001** and **DB5012** each have a bottom mounting bracket and a top sway brace. These two models are designed to be used with aluminum antennas.

The **DB5002** is similar to the DB5001, except the portion of the top sway brace that mates with the antenna is designed to be used with fiberglass antennas.

The **DB5007** consists of only the bottom mounting bracket; a top sway brace is not supplied with the DB5007. This model can be used with either aluminum or fiberglass antennas.

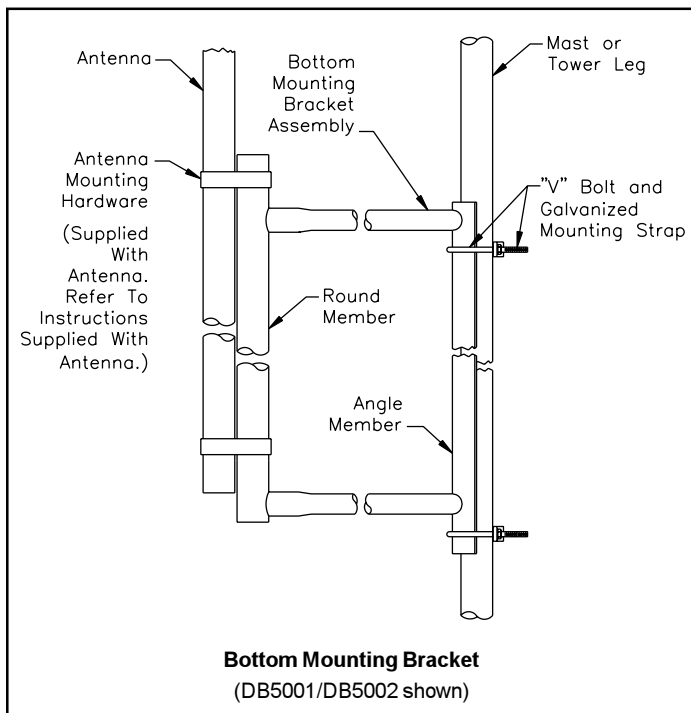


Figure 1. Installing the Bottom Mounting Bracket.

These bracket kits also differ in size to accommodate antennas of varying sizes. For information regarding which bracket to use with a specific model antenna, contact an Andrew representative.

INSTALLATION INSTRUCTIONS

Except where noted, the following steps apply to each of the side mount kits.

1. Determine the desired mounting location of the antenna.
2. Using the "V" bolts and mounting straps supplied with the side mount kit, attach the bottom mounting bracket to the tower leg or mast (Figure 1).
3. Using the mounting hardware supplied with the antenna, attach the antenna to the bottom mounting bracket of the side mount kit. (Refer to the installation instructions supplied with the antenna for specific details regarding the antenna mounting procedure.)

Steps 4 and 5 only apply to DB5001, DB5002, and DB5012, which use a top sway brace. If installing one of these three models, proceed to steps 4 and 5. If installing DB5007, skip steps 4 and 5 and proceed to step 6.

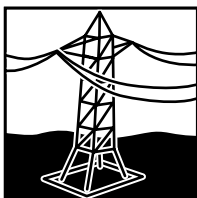
4. After the antenna is securely fastened to the bottom mounting bracket, attach the top sway brace to the mast or tower leg (Figure 2). The sway brace should be lo-

NOTICE

The installation, maintenance, or removal of an antenna requires qualified, experienced personnel. Andrew installation instructions are written for such installation personnel. Antenna systems should be inspected once a year by qualified personnel to verify proper installation, maintenance, and condition of equipment.

Andrew disclaims any liability or responsibility for the results of improper or unsafe installation practices.

(continued on page 2)



Do not install near power lines. Power lines, telephone lines, and guy wires look the same. Assume any wire or line can electrocute you.



Do not install on a wet or windy day or when lightning or thunder is in the area. Do not use metal ladder.



Wear shoes with rubber soles and heels. Wear protective clothing including a long-sleeved shirt and rubber gloves.

(Continued from page 1)

ated approximately 6 inches (15 cm) from the top of the antenna.

5. Using the clamps supplied with the side mount kit, secure the top of the antenna to the sway brace (Figure 2).
6. Refer to the installation instructions supplied with the antenna to complete the antenna installation.

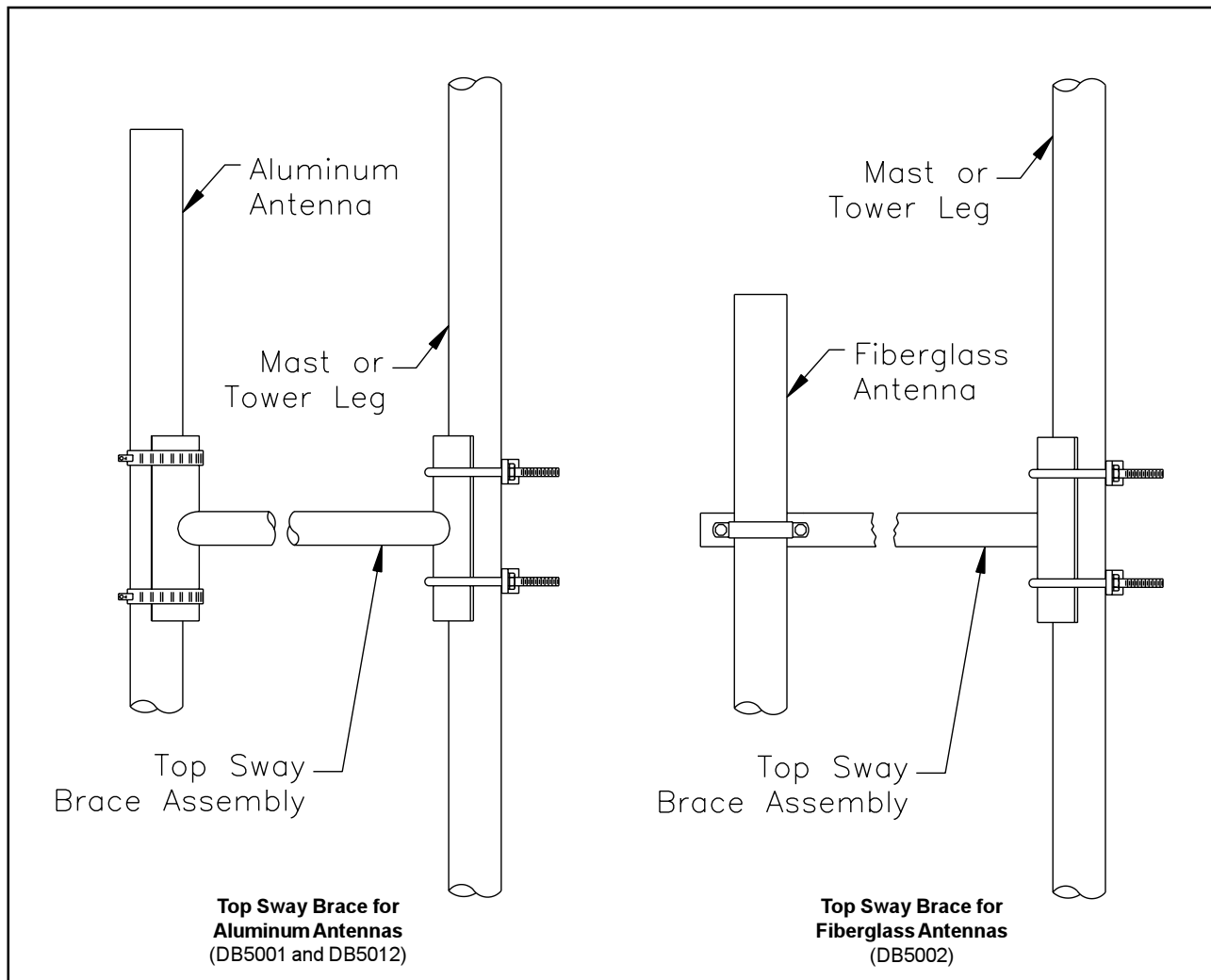


Figure 2. Installing the Top Sway Brace.