



DC 9225-02



SIZE :

92x92x25mm (3.62"x3.62"x0.98")

CONSTRUCTION :

Glass fiber reinforced plastic:

Impeller and housing PBT are UL 94V-0 rating

OPERATING TEMPERATURE :

Ball bearing - 30°C to +75°C

Sleeve bearing - 10°C to +70°C

INSULATION RESISTANCE :

10meg Ohm min. at 500 VDC

(between frame and terminal)

DIELECTRIC STRENGTH :

5mA max. at 500 VAC 60Hz one minute

(between frame and terminal)

FUNCTION :

auto-restart option

frequency generator or rotation detection signal option

WEIGHT :

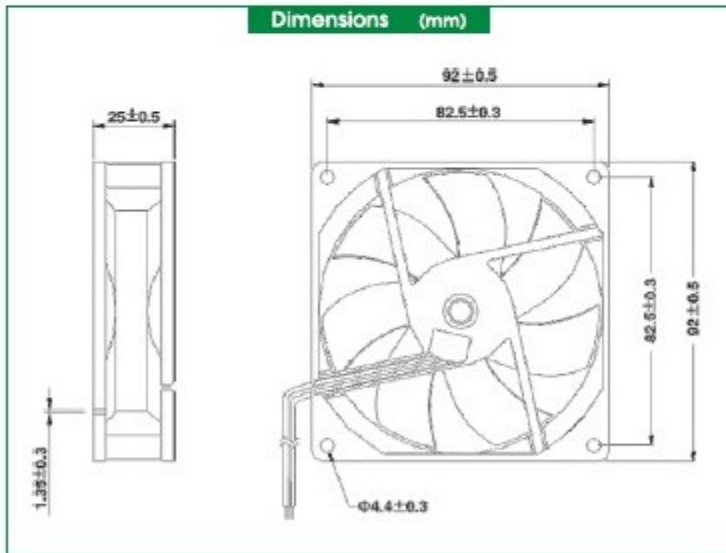
120 grams

Specifications

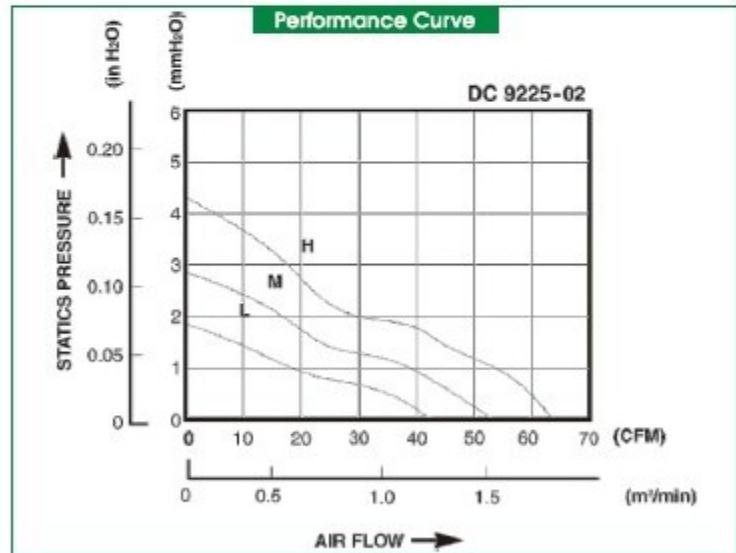
Specifications are subject to change without notice

MODEL NO.	BEARING	RATED VOLTAGE	OPERATING VOLTAGE RANGE	RATED CURRENT	RATED INPUT POWER	SPEED R.P.M.	MAX. AIR FLOW		MAX. AIR PRESSURE		NOISE dB-A
		VDC	V	A	W		m ³ /min	CFM	mmH ₂ O	IN H ₂ O	
BP922512L-02	Ball	12	10.2-13.8	0.16	1.92	2000	1.1	39.6	1.1	0.04	30.3
SP922512L-02	Sleeve										
BP922512M-02	Ball	12	10.2-13.8	0.20	2.40	2500	1.5	52.0	3.3	0.1	36.0
SP922512M-02	Sleeve										
BP922512H-02	Ball	12	10.2-13.8	0.32	3.84	3000	1.8	63.6	4.8	0.2	40.3
SP922512H-02	Sleeve										
BP922512HH-02	Ball	12	10.2-13.8	0.60	7.20	3600	2.0	71.0	5.6	0.2	48.4
SP922512HH-02	Sleeve										
BP922524L-02	Ball	24	20.4-27.6	0.15	3.60	2000	1.1	39.6	1.1	0.04	39.3
SP922524L-02	Sleeve										
BP922524H-02	Ball	24	20.4-27.6	0.22	5.28	3000	1.8	63.3	4.8	0.2	40.3
SP922524H-02	Sleeve										
BP922524HH-02	Ball	24	20.4-27.6	0.40	9.60	3500	1.9	68.4	5.4	0.2	45.8
SP922524HH-02	Sleeve										

Dimensions (mm)



Performance Curve



Mouser Electronics

Authorized Distributor

Click to View Pricing, Inventory, Delivery & Lifecycle Information:

[Bi-Sonic:](#)

[BP922512H W-G](#) [BP922512L W-G](#) [BP922512M W-G](#) [BP922524H W-G](#)