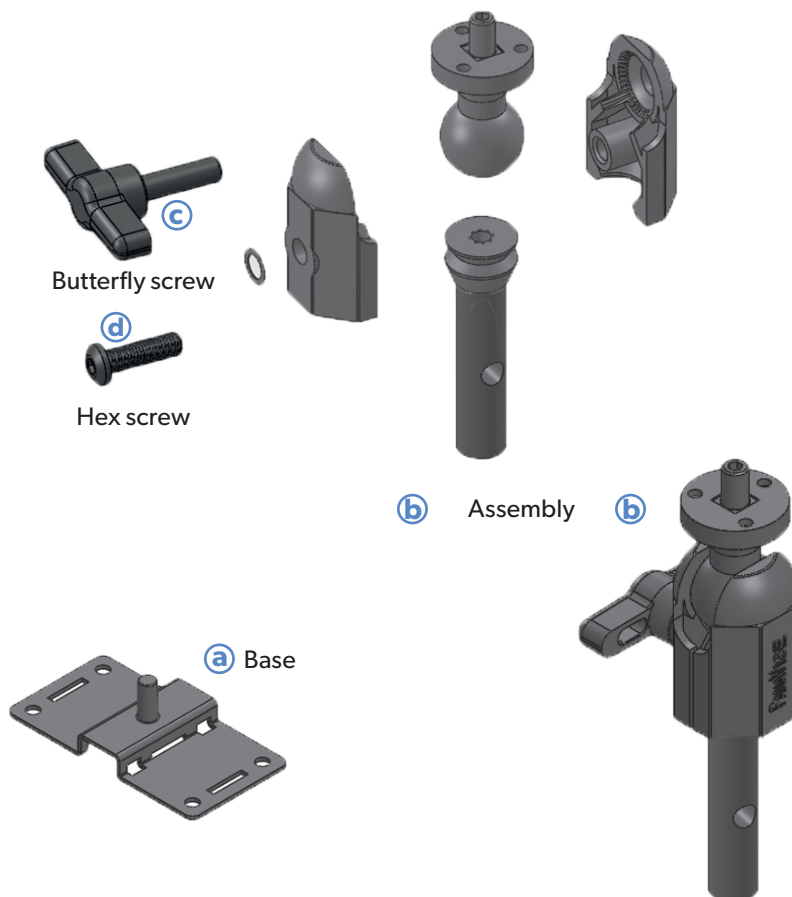
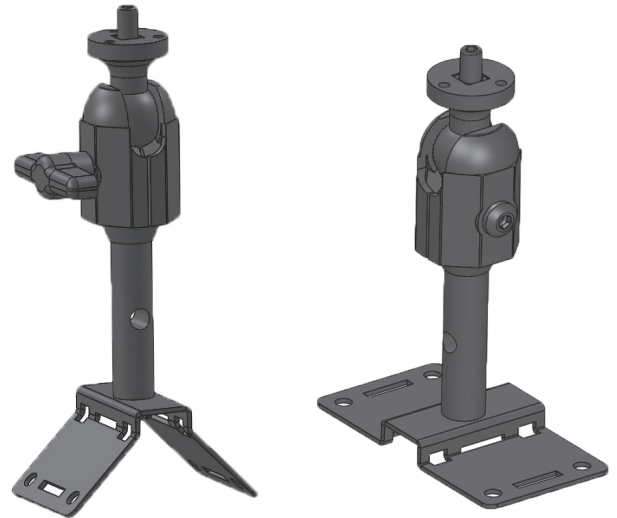


## Features

- **Compatible with DCV 250/651/751**
- **Mounting on flat surface or angle thanks to the flexible base.**
- **Butterfly screw or hex screw**
- **Universal mounting**



## Mounting Instructions

1. Mount base (a) on the supporting wall.
2. Screw the DCV 250/651/751 camera on joint assembly (b).
3. If required, replace butterfly screw (c) by hex screw (d). Tighten the screw loose enough to adjust MotionViewer™ tilt.
4. Screw assembly (b) on base (a) and secure using the hex key.
5. Adjust the camera angle and then run detection and video tests.
6. Once satisfied with the camera position, tighten the screw to its maximum.

**EMEA SALES**  
23, avenue du Général Leclerc  
92340 BOURG-LA-REINE  
FRANCE  
E-Mail : emeasales@rsivideotech.com

**North American Headquarters**  
1375 Willow Lake Blvd, Suite 103  
Vadnais Heights, MN 55110  
USA  
E-Mail : usasales@rsivideotech.com

