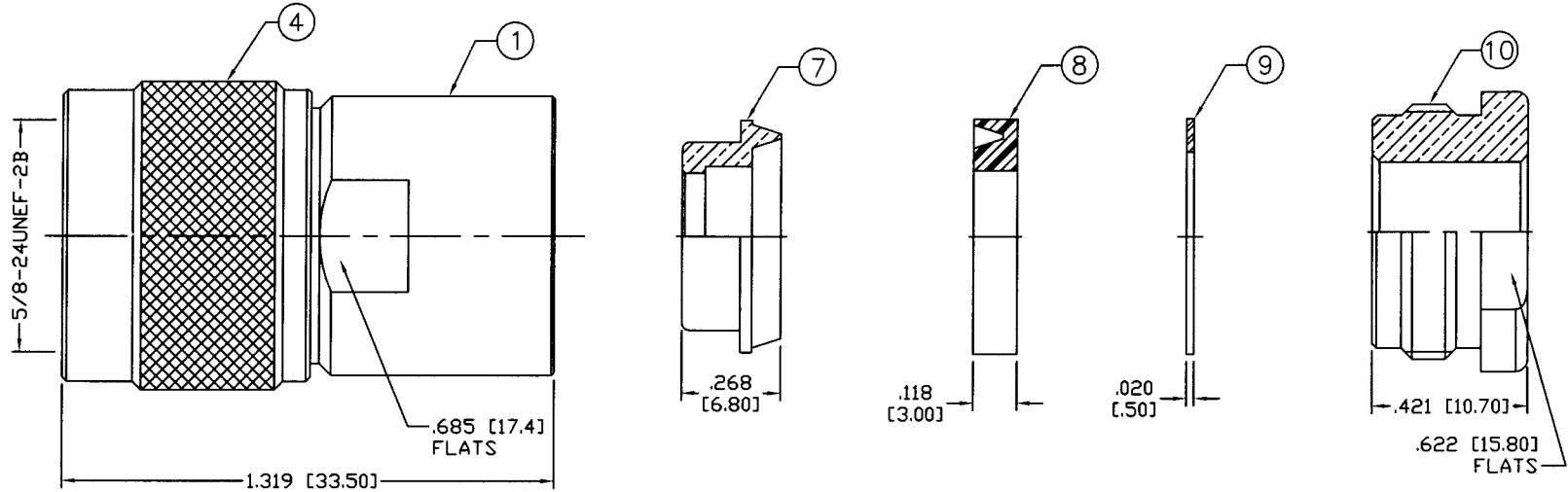


THIS DRAWING CONTAINS INFORMATION PROPRIETARY TO RF INDUSTRIES,  
 ANY UNAUTHORIZED USE OF THIS DRAWING IS EXPRESSLY PROHIBITED  
 WITHOUT WRITTEN PERMISSION FROM RF INDUSTRIES.  
 ANY VIOLATION IS PUNISHABLE UNDER U.S. COPYRIGHT LAWS.

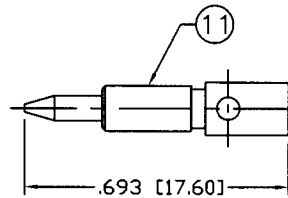
ALL DIMENSIONS ARE REFERENCE ONLY

| PART NO. |   | <b>RFN-1002-PL</b> |         |          |
|----------|---|--------------------|---------|----------|
| REV      | DESCRIPTION                                       | DWN                | DATE    | APPROVED |
| A        | ENGINEERING RELEASE                               | CZS                | 10/9/98 | R. RICE  |
| B        | CHANGE CRIMP DIE SIZE / UPDATE SPECS & DWG FORMAT | CZS                | 4/16/04 | JDMc     |
|          |   |                    |         |          |

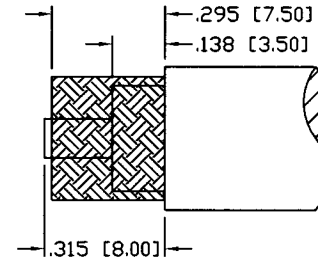


**SPECIFICATIONS:**

IMPEDANCE: 50 Ohms  
 FREQUENCY RANGE: 0-9 GHz  
 INSERTION LOSS: .06 dB Max.  $\times \sqrt{f\text{GHz}}$   
 WORKING VOLTAGE: 1k V rms @ sea level  
 TEMPERATURE RANGE: -65°C TO 85°C  
 INSULATION RESISTANCE: 5k M Ohms min.  
 FOR BELDEN 89913 (PLENUM) CABLE



RECOMMENDED CRIMP DIE: .118"



RECOMMENDED STRIPPING DIMENSIONS

| 1  | BODY           | 1   | BRASS    | SILVER, 80μ" | 008974    |      |
|----|----------------|-----|----------|--------------|-----------|------|
| 2  | GASKET         | 1   | SILICONE | ---          |           |      |
| 3  | RETAINING RING | 1   | SST      | ---          |           |      |
| 4  | SHELL          | 1   | BRASS    | SILVER, 80μ" |           |      |
| 5  | INSULATOR      | 1   | PTFE     | ---          |           |      |
| 6  | WASHER         | 1   | BRASS    | SILVER, 80μ" |           |      |
| 7  | CLAMP          | 1   | BRASS    | SILVER, 80μ" |           |      |
| 8  | GASKET         | 1   | SILICONE | ---          |           |      |
| 9  | WASHER         | 1   | BRASS    | SILVER, 80μ" |           |      |
| 10 | BACK NUT       | 1   | BRASS    | SILVER, 80μ" |           |      |
| 11 | PIN            | 1   | BRASS    | GOLD, 3μ"    |           |      |
| 12 |                |     |          |              |           |      |
| 13 |                |     |          |              |           |      |
| 14 |                |     |          |              |           |      |
| #  | DESCRIPTION    | QTY | MATERIAL | FINISH       | APPROVALS | DATE |

UNLESS OTHERWISE SPECIFIED:

DIMENSIONS ARE IN INCHES  
 AND [MILLIMETERS]  
 UNLESS OTHERWISE NOTED  
 TOLERANCES ARE:  
 DECIMALS      DIAMETER

|           |            |         |
|-----------|------------|---------|
| DRAWN     | C. ZUNIGA  | 4/16/04 |
| CHECKED   | <i>JDM</i> | 4-19-04 |
| ORJ DRAWN | C. ZUNIGA  | 10/9/98 |



EPCOM syscom  
 1630 Paisano Dr.  
 El Paso, Tx 79901  
 Ph (915) 533-5119  
 www.epcom.net

**N PLUG, CLAMP**

|            |             |                  |              |
|------------|-------------|------------------|--------------|
| SIZE       | CABLE GROUP | DWG NO.          | REV          |
| A          | PL          | RFN-1002-PL      | B            |
| SCALE: NTS |             | CAD FILE OUTLINE | SHEET 1 OF 1 |