

Input Specifications

- Voltage 100 to 240 VAC
- Frequency 47 to 63 Hz
- Data Input 10/100/1000M Base-TX
- In-rush Current 20 A (Max.) at 100 VAC
Cold Start at 25°C
- Input Current 0.4 A (Max.)
- Standby Power 1 W (Max.) No Load

Output Specifications

- Output Voltage 56 VDC
- Variation Range 53.2 to 58 VDC
- Output Current 0 to 0.55A (Max.)
- Ripple and Noise 250 mV (Max.) at 20 MHz
Bandwidth Oscilloscope with 47µF/50V Electrolytic Capacitor and 0.1µF/50V Ceramic Capacitor are connected at Output
- Rise Up Time 2 s (Max.) at 100 VAC and Full Load
- Hold Up Time 10 ms (Min.) at 100VAC and Full Load
- Line Regulation 5% (Max.)
- Efficiency 80% (Min.) at 120 VAC and Full Load
- Leakage Current 0.5 mA (Max.) at 240 VAC Input
- Over Current Protection 0.9 A at 100 VAC
1 A at 240 VAC

Protection Specifications

- Input Protection – Built-in 2A/250V Inner Current Fuse
- Output Over-Load Protection
- Short Circuit Protection with Auto Recovery

Environmental Specifications

- Operating Temperature 0 °C to +40 °C
- Storage Temperature -10 °C to +70 °C
- Operating Humidity 20 to 80%
- Storage Humidity 10 to 90%

Safety Specifications

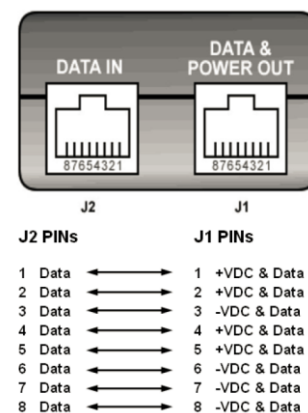
- Dielectric Strength Withstand 3,000 VAC for 2 s for 10 mA (Max.) Input to Output and Case
- Insulation Resistance 500 VDC 50 MΩ (Min.) for 1 min. between Input to Output
- Safety Standards IEC60950-1, EN60950-1
- EMI & EMC EN55022 (EN61000-3-2, EN61000-3-3), EN55024 (IEC61000-4-2, IEC61000-4-3, IEC61000-4-4, IEC61000-4-6, IEC61000-4-8, IEC61000-4-11)
FCC Part 15 Subpart B2010



Mechanical Specifications

- Dimension 145 x 60 x 40 mm
- Weight 230 g
- Case Material NORYL (PC, PC+ABS or Equivalent), 94V-0
- Color Black
- Output Plug 2 x RJ45
- Green LED Input Power On and Fault Blinking
- Yellow LED Output Power On and Fault Blinking

Pins Connection Diagram



Reliability Specifications

- Burn-in 2 to 4 hours at 25 to 40°C Under 80% Full Load
- MTBF 20,000 hours at 25 °C
- Drop Test 100 cm
- Vibration Test 10-55-10 Hz Frequency, 1.5 mm Amplitude for 30 min. at Each X-Y-Z Direction

Product Ordering Information

- PoE Injector (56V) for A2 Series

Contact Us

- Email: sales@altaittechnologies.com

PE-PB-140303

Although Altai has attempted to provide accurate information in these materials, Altai assumes no legal liability for the accuracy and completeness of the information. All specifications are subject to change without notice.