

L-PPP20A

Pendant Loudspeaker



L-PPP20A is a 20W modern style pendant loudspeaker .Its low-profile, white color design blends easily with most interiors in locations such as warehouses, super-markets, concourses, factories etc.

This modern styled pendant loudspeaker is a true omni-directional loudspeaker, providing coverage angles of 360 degrees horizontal and 140~160 degrees vertical, even giving an dispersion over the audio spectrum .Wide dispersion together with smooth frequency response and carefully controlled performance enable this speaker to offer solutions to many problems that arise in difficult acoustic applications.

The pendant loudspeaker is supplied with 2-meter- long fire resistant cables with a metal rope for the suspended ceiling installation. It complies with BS5839 part 8.

- Suitable for speech and music reproduction
- Simple power setting
- Easy installation
- Robust fire resistant ABS enclosure
- Supplied with a 2m long fire resistant cables
- Compliant with international safety laws

Installation/Configuration Notes

Mounting

The loudspeaker can be hung on the ceiling with a 2m wire rope at 1mm diameter, the height of which can be adjusted smoothly. A cable clamp and ceiling cover are supplied.

Power setting

The loudspeaker comes with 4 wire cables color-coordinated corresponding to the different power taps of the transformer, including full, 1/2, 1/4.

Technical Specifications

Electrical

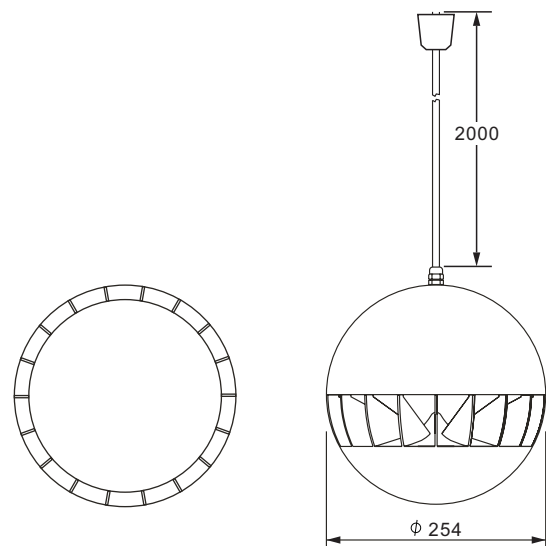
| | |
|---|--|
| Max power | 30 W |
| Rated power | 20 W |
| Power tapping | 20 W / 10 W / 5W |
| Sound pressure level at 20 W/1 W (1m,100Hz ~ 6k Hz) | 103 dB / 90 dB |
| Effective frequency response range (-10dB) | 80 Hz ~12k Hz |
| Dispersion angle (1k Hz / -6 dB) | 360 (Horizontal) 140 ~ 160 (Vertical) |
| Rated input voltage | 100 V / 70 V |
| Rated impedance | 500 Ω / 1k Ω / 2k Ω |
| Connection | wire cable |

Mechanical

| | |
|--------------|---------|
| Dimensions | Ø254 mm |
| Weight | 2.2 kg |
| Color | White |
| Speaker size | 8" |

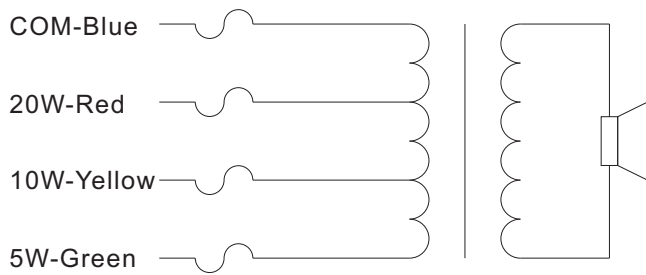
Environmental

| | |
|-----------------------|----------------|
| Operating temperature | -25°C to +55°C |
| Storage temperature | -40°C to +70°C |
| Relative humidity | <95% |

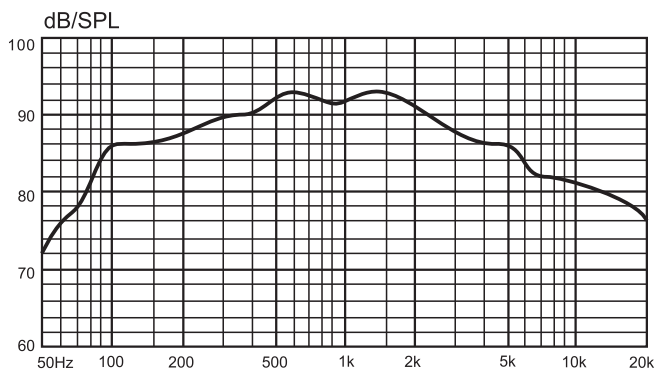


Dimensions in mm

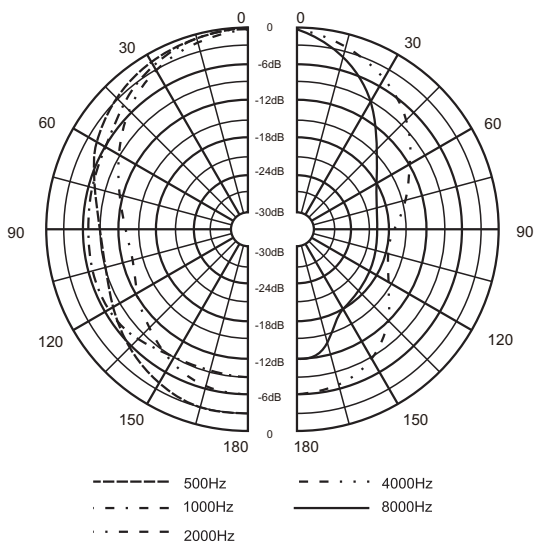
Circuit Diagram



Frequency Response

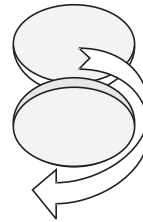


Polar Diagram

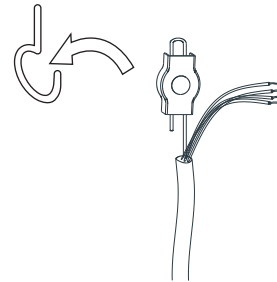


Installation Instructions

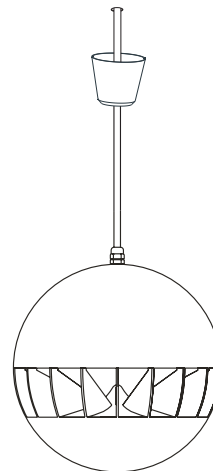
1. Cut out a hole measuring at least 15mm diameter in the ceiling.



2. Secure the cable clamp to the installation bracket and connect to desired power tap.



3. Slide the ceiling cover along with the cable heading to the top until it close adhere to the ceiling.



Honeywell

Service Contact: hav.international@honeywell.com

www.honeywellav.com

© 2012 Honeywell International Inc. All rights reserved.

Data subject to change without notice