

DB4060 / DB4062 (138-174 MHz)

4 and 6 Cavity Bandpass Reject Duplexer

dbSpectra

| MODEL | DB4060 | DB4062 |
|----------------------------------|--------------------------|------------------|
| ELECTRICAL SPECIFICATIONS | | |
| Frequency Range (MHz) | See Ordering Information | |
| Frequency Separation (min) (kHz) | 500 | 300 |
| # of Cavities | 4 | 6 |
| # of Channels | 1 | 1 |
| Isolation (dB) | 80 | 100 |
| Transmitter Loss (dB) | 1.5 | 2.2 |
| Receiver Loss (dB) | 1.5 | 2.2 |
| Return Loss (dB) | 14 | 14 |
| Impedance (Ohms) | 50 | 50 |
| Power Rating (Watts) | 250 | 250 |
| MECHANICAL SPECIFICATIONS | | |
| Construction/Finish | Aluminum/Black | Aluminum/Black |
| Input Connector | N(F) | N(F) |
| Mounting | EIA 19-inch Rack | EIA 19-inch Rack |
| Temperature Range (degrees) | -30 to +60 C | -30 to +60 C |
| DIMENSIONS | | |
| Cavity Diameter (in/mm) | 8 / 203 | 8 / 203 |
| Width (in/mm) | 19.3 / 489 | 19.3 / 489 |
| Height (in/mm) | 34.5 / 876.3 | 34.5 / 876.3 |
| Height (RU) | 20 | 20 |
| Depth (in/mm) | 20.1 / 511 | 29 / 736.6 |
| Net Weight (lb/kg) | 105 / 48 | 130 / 59 |
| Shipping Weight (lb/kg) | 115 / 52 | 140 / 63.5 |



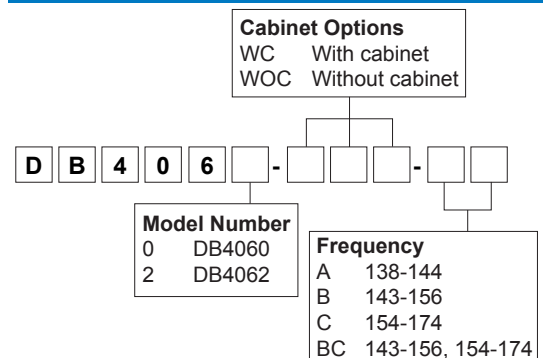
DB4060-WOC
Top View

FEATURES AND BENEFITS

- 80 or 100 dB transmitter noise attenuation at the receiver frequency.
- 4 cavity model DB4060 uses two transmitter and two receiver cavities.
- 6 cavity model DB4062 uses three transmitter and three receiver cavities.
- Either duplexer can couple two transmitters, two receivers or two simplex units into a common antenna with frequencies separated by 500 or 300 kHz or more.

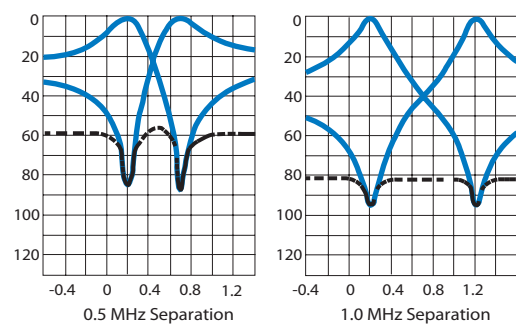
Designed for VHF duplex systems that operate with close frequency spacing. Duplexer design consists of 8-inch diameter quarter-wave coaxial cavities. They are interconnected in a bandpass-band reject configuration using double shielded coaxial cable. An Invar rod, with nearly zero expansion, provides stability over a wide range of temperatures.

ORDERING INFORMATION



SELECTIVITY CURVE

DB4060 4-Cavity Duplexer



DB4062 6-Cavity Duplexer

