



PD8UL UL Listed Sub-Assembly Power Distribution Module

Overview:

PD8UL is a UL Listed Sub-Assembly power distribution module designed to convert a single AC or DC input into eight (8) individually fuse protected outputs.

Specifications:

Agency Listings:

- UL Listed Sub-Assembly for Access Control System Units (UL 294), Power Supplies for Fire Protective Signaling Systems (UL 1481), and Power Supplies for Use with Burglar Alarm Systems (UL 603).
- cUL Listed: General Signaling Equipment Evaluated to CSA Standard C22.2 No.205-M1983. Power Supplies for Burglar Alarm Systems ULC-5318-96.



Input:

- 12VDC or 24VDC, up to 10A.
- 24VAC or 28VAC, up to 12A.

Outputs:

- Eight (8) individually fuse protected outputs @ 2.5A per output max. current (total output current should not exceed max. current rating of power supply employed).

Fuse Ratings:

- Fuses are rated @ 3.5A/250V.

Visual Indicators:

- Power On green LED indicator.

Board Dimensions (L x W x H approximate):

5.25" x 3.25" x 1" (82.55mm x 133.35mm x 25.4mm)

Installation Instructions:

Wiring methods shall be in accordance with the National Electrical Code/NFPA 70/NFPA 72/ANSI, and with all local codes and authorities having jurisdiction. Product is intended for indoor use only and should be installed by qualified personnel.

1. Refer to Sub-Assembly Installation Instructions for mounting Rev. MS050913.
2. Connect the desired power supply output to the terminals marked [INPUT] (Fig. 1).
Note: If using DC voltage, left terminal is NEG. (-) and right terminal is POS. (+) (Fig. 1).
3. Measure output voltage before connecting devices. This helps avoiding potential damage.
4. Connect devices to be powered to the terminal pairs 1 to 8, marked [1P - 1N] through [8P - 8N]. All terminals with common suffix P "1P, 2P..." are same polarity.

Note: This product is a UL Listed Sub-Assembly for use with Altronix UL Listed power supplies as indicated in the installation manuals for the power supply.

Note: DC outputs are power-limited only if power-limited power supply is employed.

Caution: To avoid risk of electric shock or fire hazard, replace fuses with the same type and rating, 3.5A/250V.

(#P) Positive DC outputs

(#N) Negative DC outputs

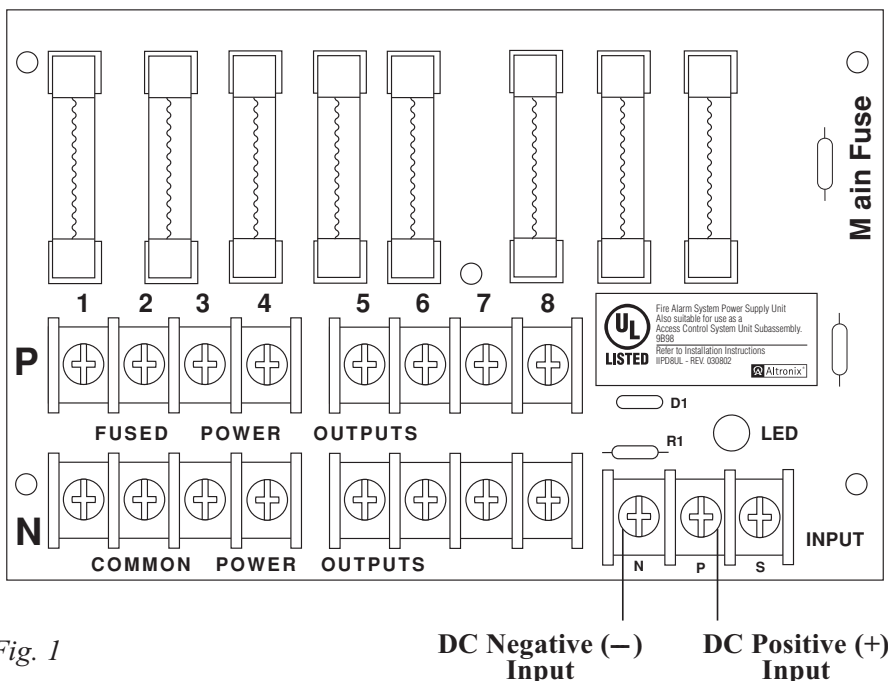


Fig. 1

DC Negative (-) Input DC Positive (+) Input

Altronix is not responsible for any typographical errors.

140 58th Street, Brooklyn, New York 11220 USA, 718-567-8181, fax: 718-567-9056
website: www.altronix.com, e-mail: info@altronix.com. Lifetime Warranty, Made in U.S.A.
IIPD8UL - Rev. 051311

J10P

