

MULTI-PROTOCOL DATA LINE SURGE PROTECTION

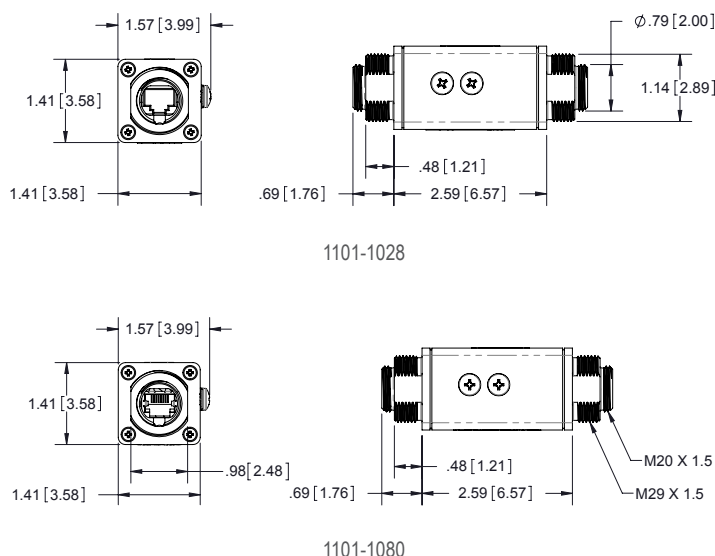
Thunderbolt (TB) Series

The TB Series of data line surge protectors provides over-voltage transient protection for a wide range of protocols including PoE, GbE and GbE PoE. The Thunderbolt family provides dependable outdoor protection designed for bulkhead or bracket installation.



FEATURES

- High surge current capacity
- Coordinated high-power gas discharge tube (GDT) and low capacitance transient blocking technology
- Designed to be installed onto any grounded metal frame bulkhead or bracket
- Outdoor rugged IP 67 enclosure
- Optimized for signal throughput
- Ground screw and molded RJ-45 connector
- Straight through pin-outs from the input to output connectors
- Installation kit included
- Strain relief accessories available in 5-pack 1000-1334



SPECIFICATIONS

Part Name	TB 10/100 PoE	TB GbE	TB GbE PoE CD
Part Number	1101-1028	1101-1029	1101-1080
Electrical			
Application	PoE	Gigabit Ethernet	Gigabit PoE
Data Rate	100 Mb/s	1000 Mb/s	1000 Mb/s
Pins Protected	Data (1,2)and (3,6), DC power (4,5), and (7,8)	(1,2), (3,6), (4,5), and (7,8)	All 8
Nominal Voltage	48 Vdc	3.3 Vdc	48 Vdc
MCOV	60 Vdc	11 Vdc	60 Vdc
Mechanical			
Connector	RJ45 Cat5e UTP	RJ45 Cat5e UTP	Shielded RJ45
Dimensions (HxWxD)	1.4" x 1.4" x 3.9" (3.6 cm x 3.6 cm x 10.0 cm)	1.4" x 1.4" x 3.9" (3.6 cm x 3.6 cm x 10.0 cm)	1.4" x 1.4" x 3.9" (3.6 cm x 3.6 cm x 10.0 cm)
Weight	.15 lb	.15 lb	.45 lb
Environmental			
Enclosure Rating	IP67	IP67	IP67
Operating Temperature	-40°C to +75°C	-40°C to +75°C	-40°C to +85°C
Warranty	10 year	10 year	10 year