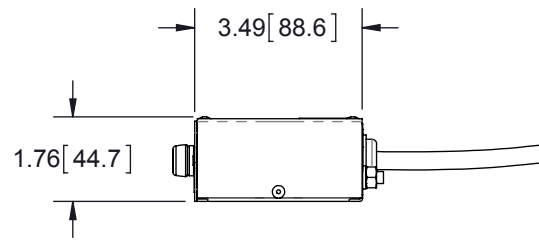
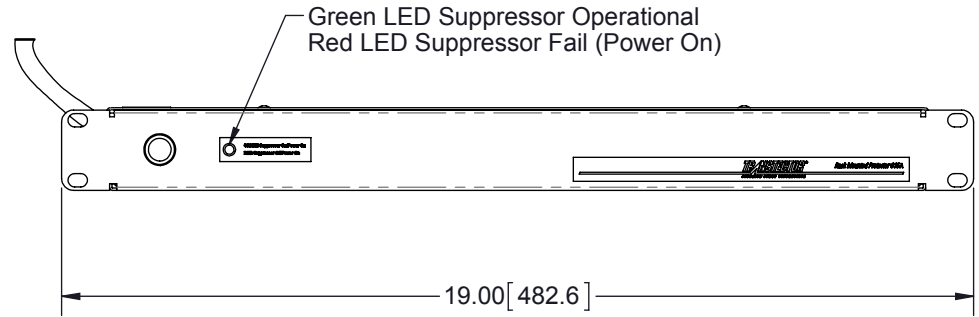
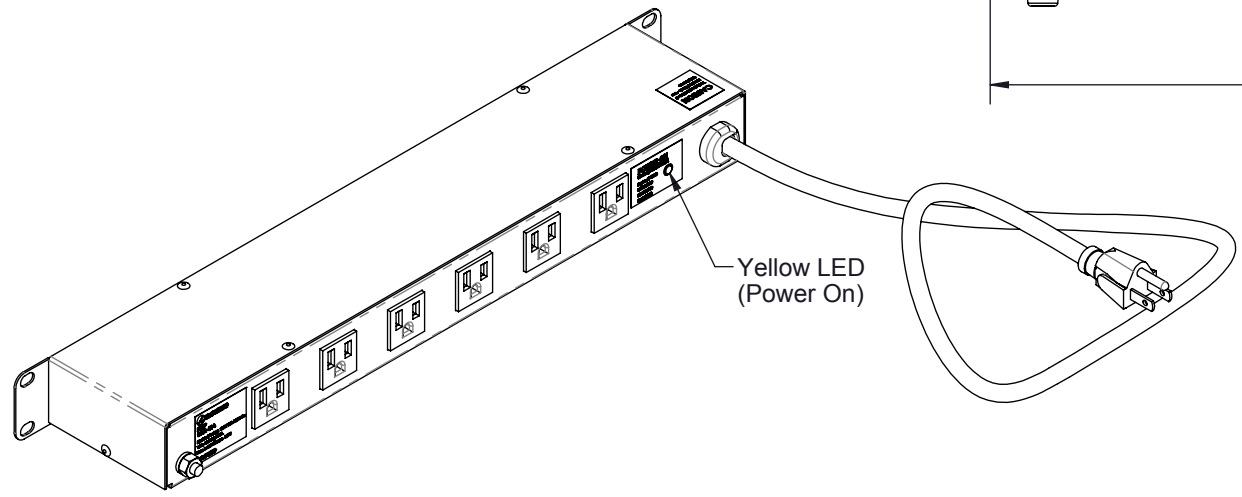
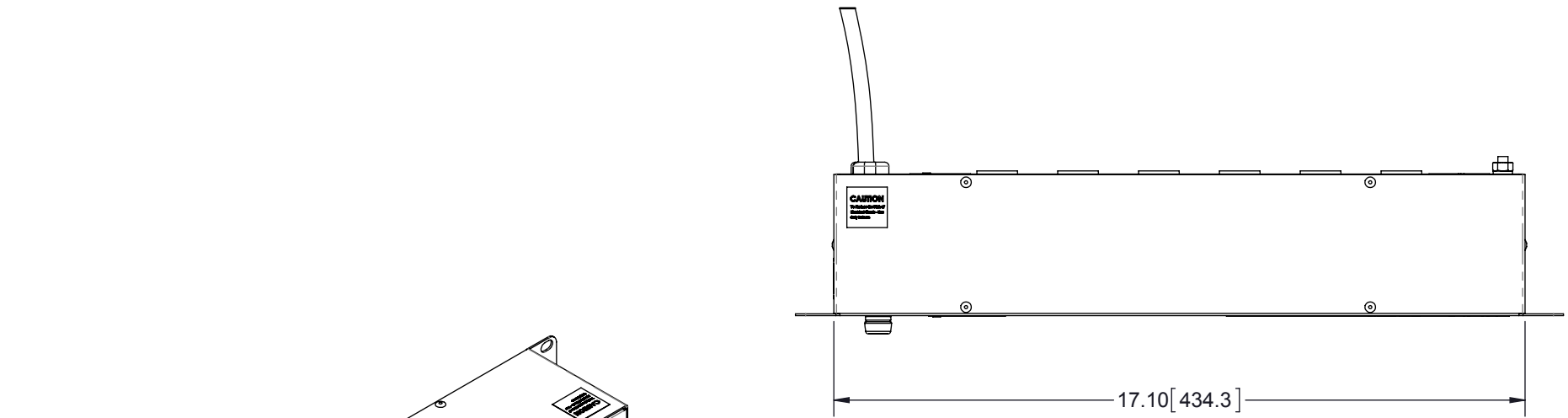


REVISIONS				
REV.	DESCRIPTION	ECN	DATE	APPROVED
A	PRODUCTION RELEASE		7/17/14	MTH



MAXIMUM CHARACTERISTICS

Application:
 120 Vac single phase, multiple outlet, 19" rack mount (indoor use only),
 silicon diode surge protection.
 DSE129 (RMP-615A) 120V 50/60Hz
 UL 1363, 1449 (Pending) SVR = 330

Electrical Performance:
 Electrical Configuration: 120 Vac single phase 15 A (fused)
 Maximum Surge Current: 3 kA
 Vpl 8x20µS @ 500A = 275V
 Vpl 8x20µS @ 3kA = 440V
 Vpl 10x1000µS @ 250A = 290V

Mechanical:
 Mount Type: Rack Mount
 Material: 18GA. Steel construction, powder coated (Black)
 15' NEMA 5-15 Cord
 External 1/4-20 Grounding Stud
 3 Color LED Indication
 Receptacle: Six NEMA 5-15
 Dimensions: 1.8" x 19.0" x 3.5" (4.6 cm x 48.3 cm x 8.9 cm)
 Weight: 4.5 lbs. (2.1 kgs.)

Standards: IEEE C62.41

CUSTOMER APPROVAL: _____ DATE: _____

ALL DIMENSIONS SHOWN ARE FOR REFERENCE ONLY.

THESE COMMODITIES, TECHNOLOGY OR SOFTWARE WERE EXPORTED FROM THE UNITED STATES IN ACCORDANCE WITH THE EXPORT ADMINISTRATION REGULATIONS. DIVERSION CONTRARY TO U.S. LAW PROHIBITED.

UNLESS OTHERWISE SPECIFIED LEADING DIMENSIONS ARE INCHES DIMENSIONS IN [] ARE MILLIMETERS	DRAWN	HMB	DATE	11/17/2014
	ENG APPD	MTH		11/19/2014
	PRODUCT MGR	MLH		12/22/14
	MARKETING APPD	LJ		12/22/2014
MATERIAL NOTED	PROJECT NO.			
THIRD-ANGLE PROJECTION	NOTICE: THE INFORMATION AND DESIGN IN THIS DOCUMENT IS THE PROPERTY OF TRANSTECTOR SYSTEMS. ALL RIGHTS RESERVED.			



TITLE
**RMP-615 A 19" RACK
 6 OUTLET**
 CUSTOMER SPECIFICATION

SIZE	CAGE	PART NUMBER	REV
B	30992	1101-534	A
SCALE	PROD CAT	DOCUMENT NAME	SHEET OF
1:4	ACT	1101-534-C	1 OF 1