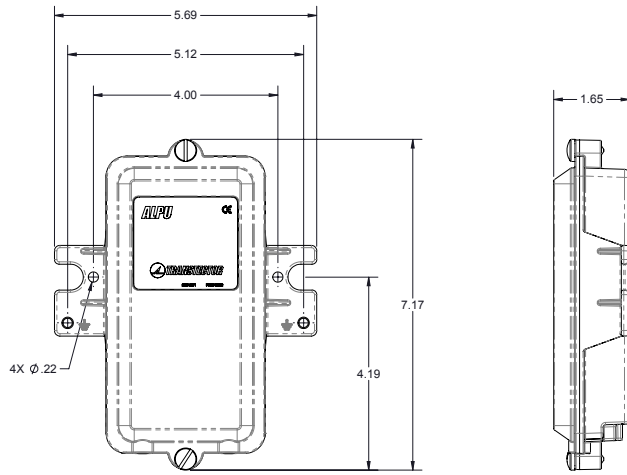
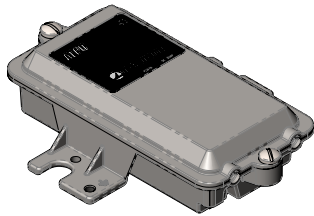


| REVISIONS | | | | |
|-----------|--------------|-------|---------|----------|
| REV. | DESCRIPTION | ECN | DATE | APPROVED |
| B | REFER TO ECN | 11947 | 8/19/13 | DWR |



MAXIMUM CHARACTERISTICS

Application:
 The Transtector ALPU-POE-36-M Broadband Communications Protectors is designed to protect 10/100 POE equipment that use 24 volt dc power. The protection circuits utilize non-degrading, solid state surge suppression technology. The unit has a cast aluminum enclosure that meets NEMA 3R requirements for outdoor protection. Flanges on each side allow the unit to be easily wall/surface mounted and an optional bracket (P/N 1000-1164) is available to meet a wide range of pole mount applications. The enclosure includes screw down cable retention clamps for improved cable management / retention and dedicated bonding points on the mounting flanges for connection to the nearest grounding system (or Master Ground Bar) for proper functioning of the surge protection. In the unlikely event of surge protection self sacrifice, the unit will fail short to provide the best equipment protection and to disrupt communication.

Electrical Performance:
Connector Style: Shielded RJ-45, 100ohm
Ethernet Protected Pins: (1,2) and (3,6) pass through
Data Rate: 100Mb/s
Nominal Operating Voltage: 24 V dc
Maximum Continuous Operating Voltage: 36 V dc
Impedance: 85 to 115 ohms
Frame Transmission: 100% Transmission @ 100 Mb/s
Attenuation: < -1 dB @ 16 MHz
Surge Suppression (per GR-1089): <40V_{res} @ 100 A 10/1000 µs
DC Power Protected Pins: (4,5) and (7,8) pass through
Nominal Operating Voltage: 24 V dc
Maximum Continuous Operating Voltage: 36 V dc
Surge Suppression (per GR-1089): <40V_{res} @ 100 A 10/1000 µs
Max. Line Current: <1 Amp per pin
Response Time: <5 ns

Environmental:
Operating/Storage Temperature: -40°C to +80°C
Relative Humidity: 99% (non-condensing)

Mechanical:
Weight: 0.8lbs. (0.36kg)
Product Material: Die-Cast Aluminum

Applicable Industry Standards:
 CE Mark Compliant
 RoHS Compliant
 Power over Ethernet Protocol: IEEE 802.3af
 Surge Suppression: GR-1089-2006

Accessories:
 P36 Mount Kit (P/N 1000-1164) adapter and band allows mounting to 2" to 10" diameter

THESE COMMODITIES, TECHNOLOGY OR SOFTWARE WERE EXPORTED FROM THE UNITED STATES IN ACCORDANCE WITH THE EXPORT ADMINISTRATION REGULATIONS. DIVERSION CONTRARY TO U.S. LAW PROHIBITED.

CUSTOMER APPROVAL: _____ DATE: _____

ALL DIMENSIONS SHOWN ARE FOR REFERENCE ONLY.

| | | | | | | |
|--|---|------------------------|----------|------------------------|--------|--|
| UNLESS OTHERWISE SPECIFIED LEADING DIMENSIONS ARE INCHES DIMENSIONS IN [] ARE MILLIMETERS | DRAWN | HMB | DATE | | | |
| | ENG APPD | DWR | 2/13/13 | | | |
| TOLERANCES: FRACTIONS=+ 1/32 .XX+ .01 ANGLES=+ 1° .XX+ .005 | PRODUCT MGR | MLH | 8/24/13 | TITLE ALPU-POE-36-M | | |
| | MARKETING APPD | LJ | 8/27/13 | | | |
| MATERIAL | PROJECT NO. | CUSTOMER SPECIFICATION | | | | |
| THIRD-ANGLE PROJECTION | NOTICE: THE INFORMATION AND DESIGN IN THIS DOCUMENT IS THE PROPERTY OF TRANSECTOR SYSTEMS. ALL RIGHTS RESERVED. | SIZE | CAGE | PART NUMBER | REV | |
| | | B | 61114 | 1101-1144 | B | |
| | | SCALE | PROJ CAT | DOCUMENT NAME | SHEET | |
| | | 1:2 | DST | 1101-1144-C | 1 OF 1 | |