

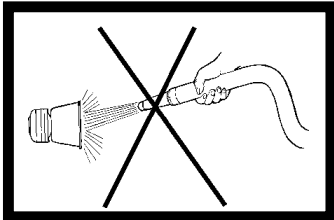
ELECTRONIC SIREN

AS-422/6S AH

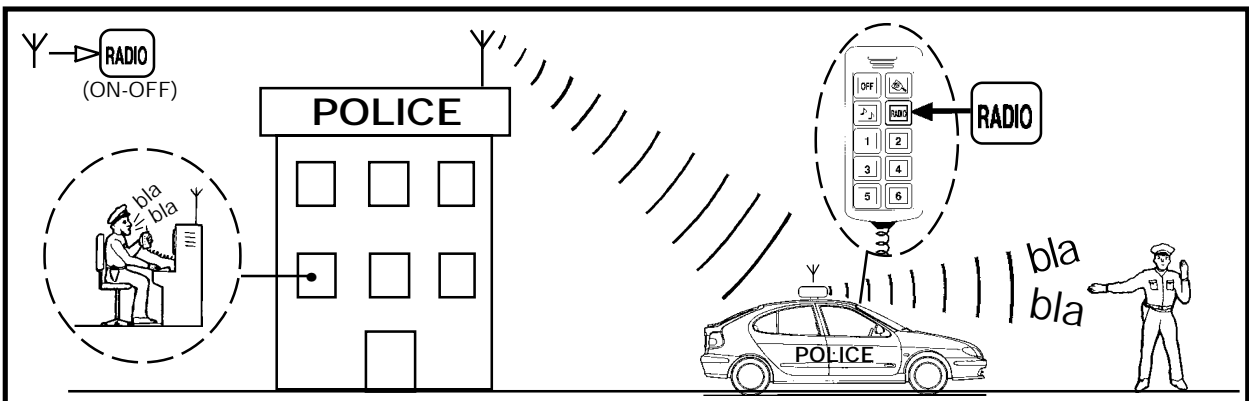
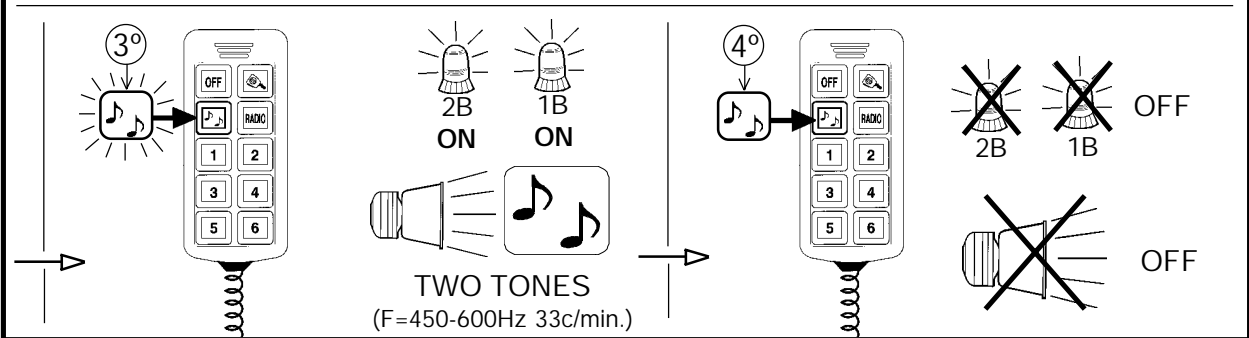
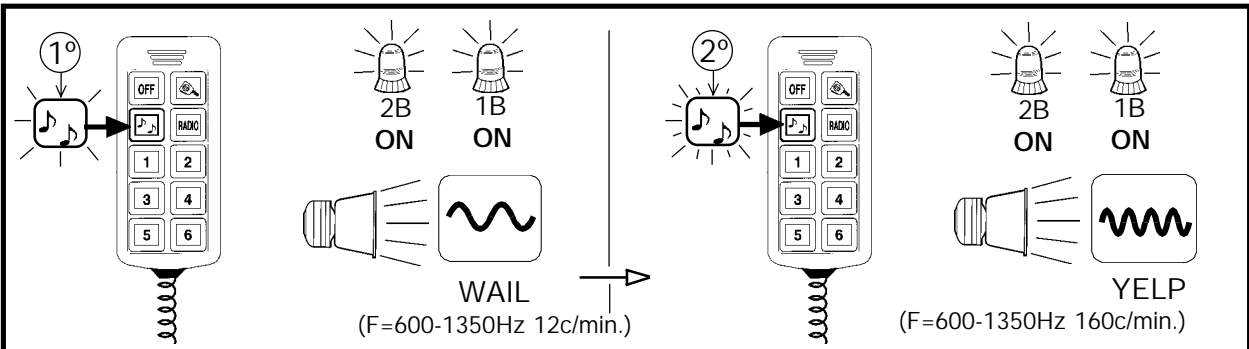
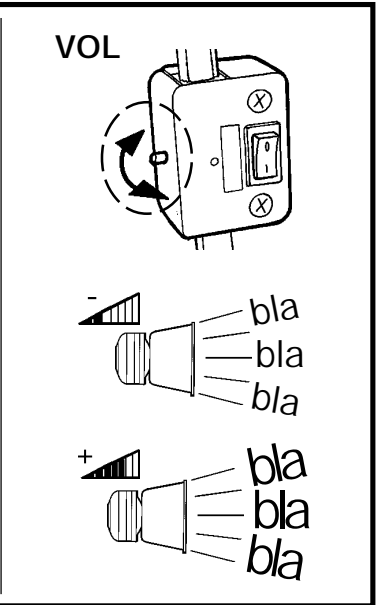
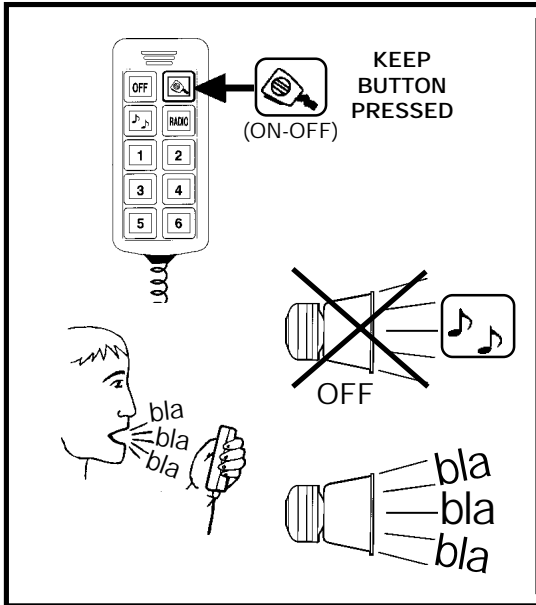
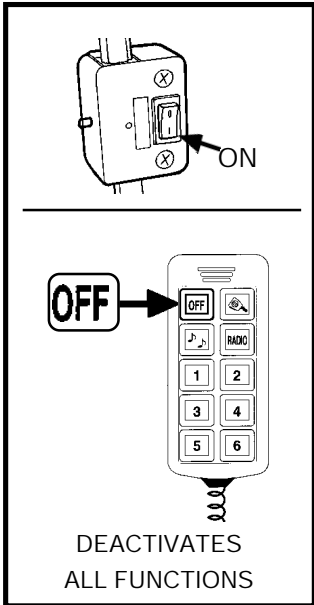
(AIRHORN)

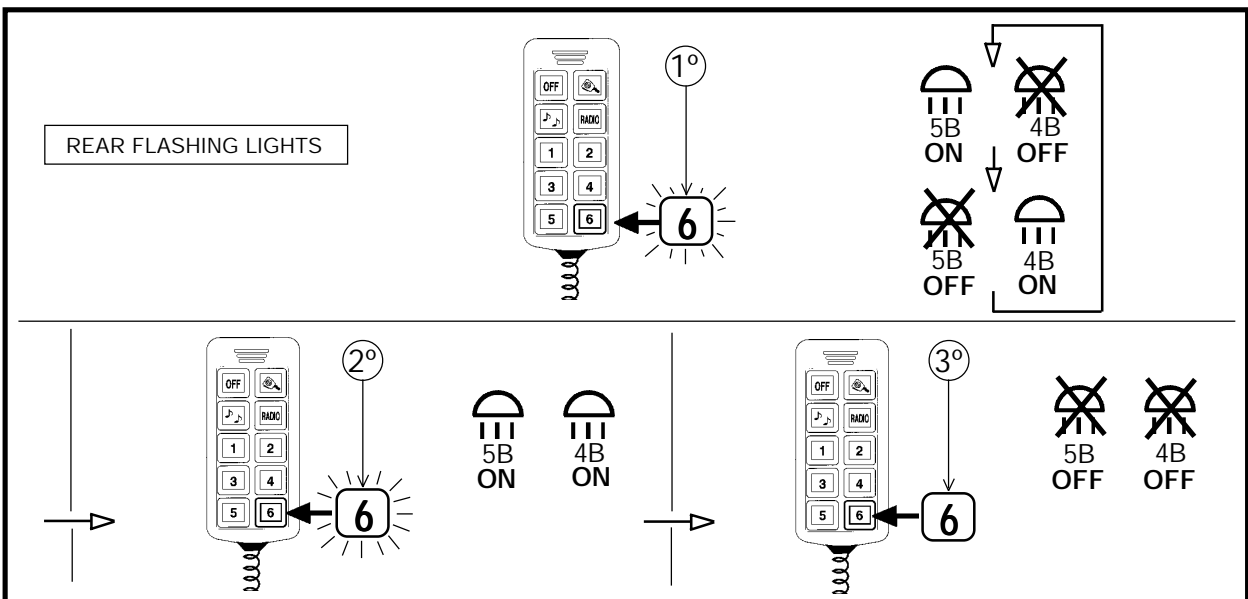
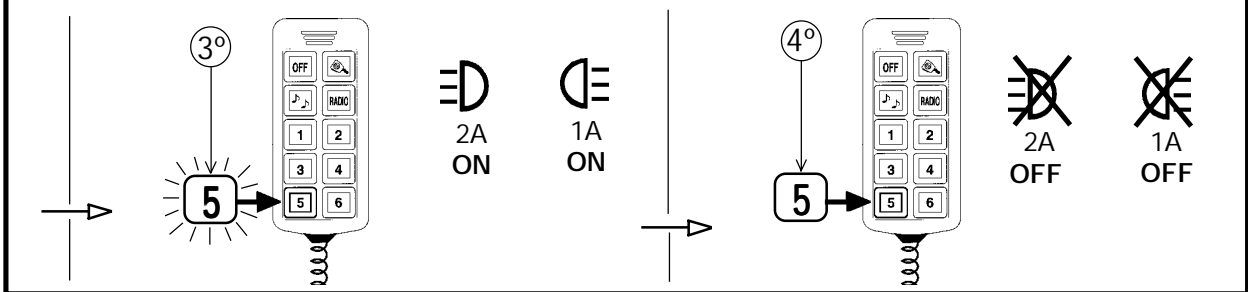
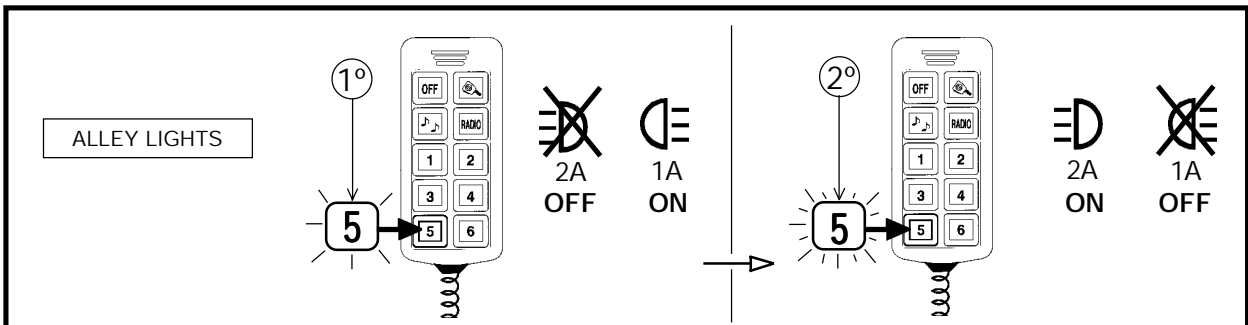
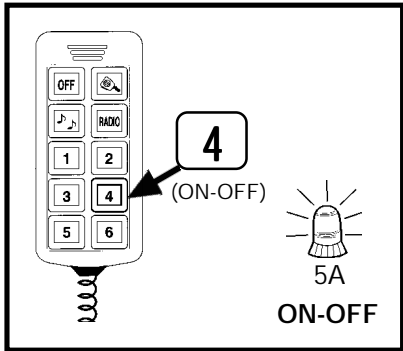
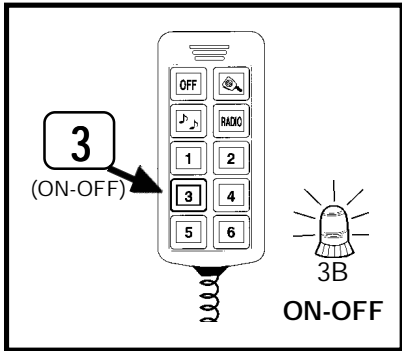
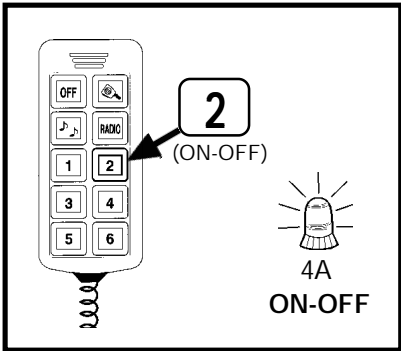
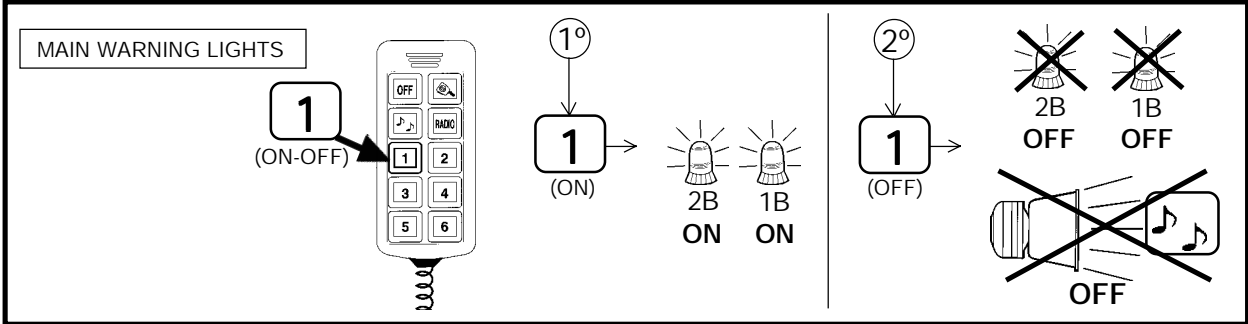
AS-422/6S AH (Ref:2020141AH)

GB OPERATING INSTRUCTIONS

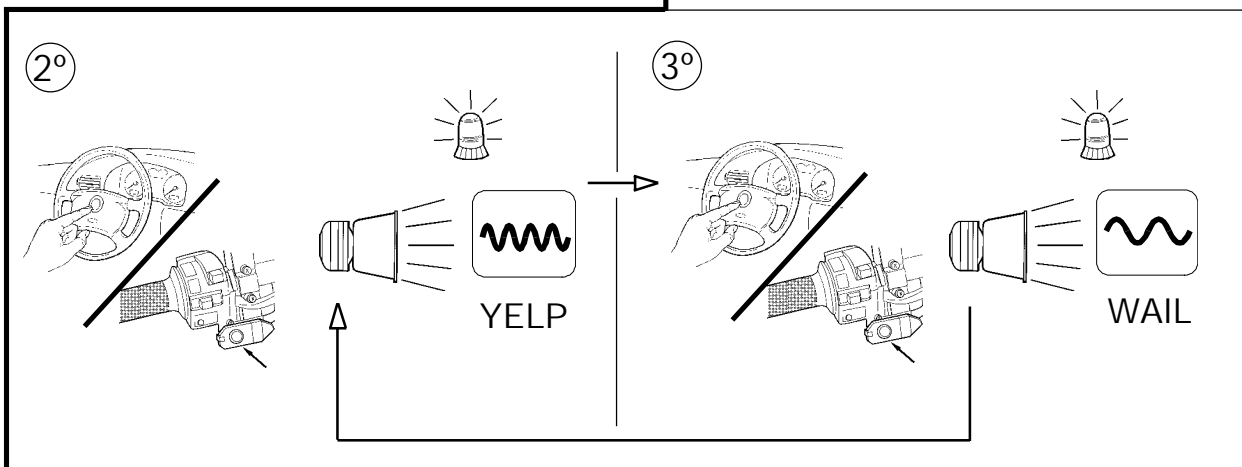
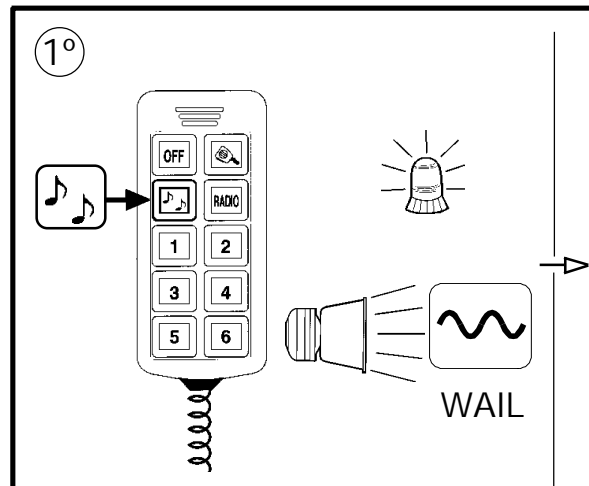
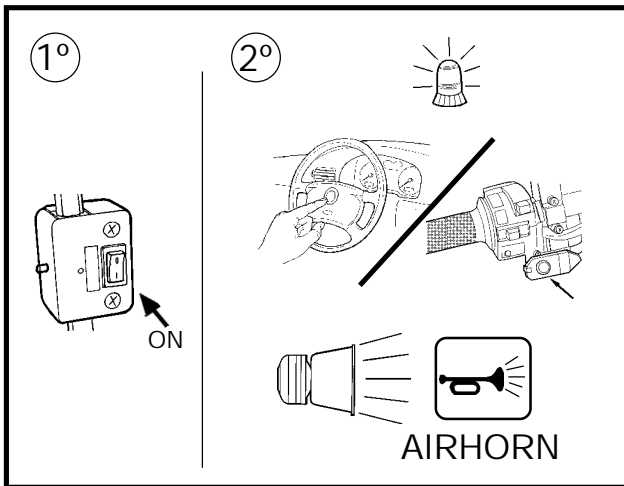
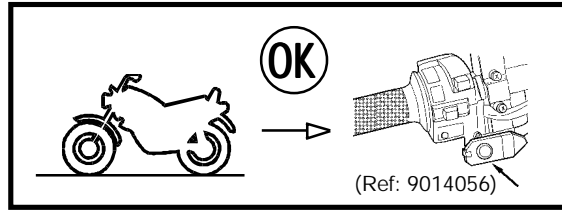
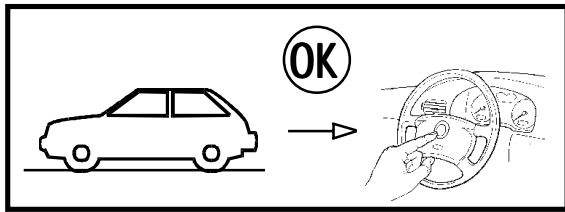


(*SEE THE WIRING DIAGRAM IN THE STANDARD INSTRUCTIONS FOR USE MANUAL)





GB SIREN CONTROL BY HORN (AUTOMOBILE) / BUTTON (MOTORBIKES)



THE SIREN CAN BE DEACTIVATED IF AN EXTERNAL DISPOSITIVE (OPTIONAL) DETECTS A LAMP FAILURE