



▶ IMPAXX® | External Mount/Perimeter Lights

FEATURES

- High-output LEDs and Solaris® reflector technology.
- SpectraLux™ multi-color LED provides the ability for a LED light head to change color while in operation.
- Available in Red, Blue, White, Amber, and Green LEDs.
- Compact size allows for a variety of mount locations.
- Advanced off-axis and center focused lenses available.
- Fully encapsulated weatherproof housing.
- Wide variety of synchronized patterns.
- Variety of mounting brackets available.
- Five-year Warranty.

APPROVALS

- SAE J595
- CCR Title 13
- NFPA 1901 Compliant models available
- EMI and RFI approved

Highly Effective Warning

IMPAXX® light heads combine Solaris® reflector technology with the most advanced LEDs for the brightest, most efficient auxiliary, compact light available.

IMPAXX can operate independently, synchronize with other IMPAXX, or synchronize with Federal Signal's Viper® EXT or Viper® S2 products. IMPAXX light heads are programmed with 24 built-in flash patterns. These patterns can be synchronized to flash in the same pattern, flash in a sliding progression or flash in opposite sequence of each other.

Optimized Lighting

IMPAXX light heads are available with either center focused or off axis lensing. The center focused lens directs the LED light forward making them ideal for front or rear vehicle applications. The advanced off-axis lens provides warning light forward and to both sides, allowing for intersection or side vehicle mounting.

SpectraLux™ and Takedown Capability

IPX6 models feature our SpectraLux™ multi-color LED capability and are available in single-color models (6-LEDs), two-color models (12-LEDs), or three-color models (18-LEDs). Two-color models or three-color models utilizing White LEDs can be wired to operate the White LEDs in "steady-on" mode to provide additional takedown capability.

Easy Installation

IMPAXX lights come complete with a weatherproof housing, black bezel, and rubber grommet for quick and easy installation. A wide variety of brackets are available for various vehicle types and applications.

SPECIFICATIONS

IPX3

Specifications

Voltage	12.8 VDC
Current Draw	0.7 A
Operating temp	-30° C to +65° C

Physical Specifications

	With Bezel	Without Bezel
Length	3.7 in (9.4 cm)	2.9 in (7.4 cm)
Width	1.3 in (3.3 cm)	1.2 in (3.0 cm)
Height	1.7 in (4.2 cm)	1.3 in (3.3 cm)

Ship Weight

1.0 lb (0.45 kg)

IPX6

Specifications

Voltage	12.8 VDC
Current Draw	1 A
Operating temp	-30° C to +80° C

Physical Specifications

	With Bezel	Without Bezel
Length	5.5 in (14.0 cm)	4.1 in (10.4 cm)
Width	1.5 in (3.8 cm)	1.4 in (3.6 cm)
Height	2.0 in (4.8 cm)	1.4 in (3.6 cm)

Ship Weight

1.0 lb (0.45 kg)

Patterns and Flash Rates

Flash Pattern	Description	Flash Pattern	Description
1	Off	14	75 FPM Double
2	79 FPM Power Quad*	15	150 FPM Triple
3	150 FPM Single	16	75 FPM Triple
4	151 FPM Single	17	5 Single @ 680 FPM/ 4 Single @ 216 FPM
5	74 FPM Single*	18	4 Single @ 570 FPM/ 3 Single @ 246 FPM
6	75 FPM Single	19	3 Single @ 460 FPM/ 2 Quad @ 75 FPM
7	240 FPM Single	20	Progressive Flash
8	241 FPM Single	21	4 Single @ 154 FPM/ 2 Quad @ 75 FPM
9	240 FPM Double*	22	Random Flash
10	241 FPM Double	23	3 quick flashes, then steady burn
11	150 FPM Double	24	Fed pulse 75
12	151 FPM Double	25	Steady Burn
13	74 FPM Double		

*Conforms to CCR Title 13

IMPAXX Compliance Chart

IMPAXX 3, Horizontal Fluted Lenses

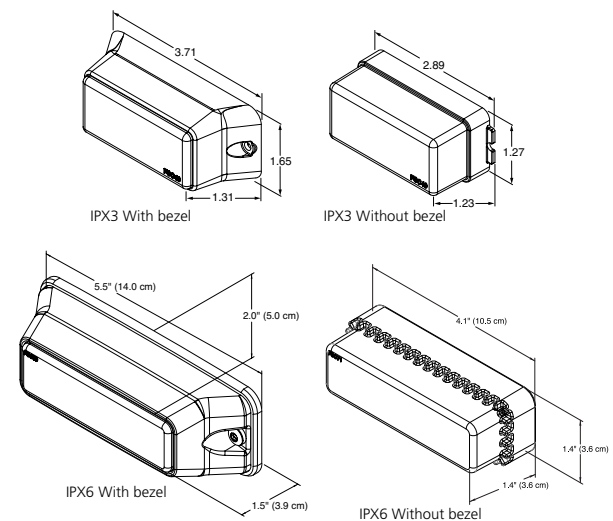
Color	Lens	SAE J845		SAE J595	CA 13
		Class	Coverage	Class	
Red	Clear	1	90°	1	Class B
	Red	1	90°	1	Class B
Blue	Clear	2	100°	2	Class B
	Blue	2	95°	2	Class B
Amber	Clear	2	95°	2	N/C
	Amber	2	95°	2	N/C
White	Clear	2	95°	2	N/A

IMPAXX 6, Horizontal Fluted Lenses

Color	Lens	SAE J845		SAE J595	CA 13
		Class	Coverage	Class	
Red	Clear	1	95°	1	Class B
Blue	Clear	2	>120°	2	Class B
Amber	Clear	1	>120°	1	Class B
White	Clear	1	90°	1	N/A

IMPAXX 6, Vertical Fluted Lenses

Color	Lens	SAE J845		SAE J595	CA 13
		Class	Coverage	Class	
Red	Clear	1	50°	1	Class B
Blue	Clear	2	70°	2	N/C
White	Clear	1	40°	1	N/A



Select Model

IPX3 Models

Clear lens, advanced off-axis, horizontal mount

IPX300-2	3-LED light head, Amber
IPX300-3	3-LED light head, Blue
IPX300-4	3-LED light head, Red
IPX300-5	3-LED light head, White
IPX300-6	3-LED light head, Green

Color lens, advanced off-axis lens, horizontal mount

IPX302-2	3-LED light head, Amber
IPX302-3	3-LED light head, Blue
IPX302-4	3-LED light head, Red

IPX6 Models

Single Color, Clear off-axis lens, horizontal mount

IPX600B-A	6-LED light head, Amber
IPX600B-B	6-LED light head, Blue
IPX600B-G	6-LED light head, Green
IPX600B-R	6-LED light head, Red
IPX600B-W	6-LED light head, White

Dual Color, Clear off-axis lens, horizontal mount

IPX620B-BA	12-LED light head, Blue/Amber
IPX620B-BR	12-LED light head, Blue/Red
IPX620B-BW	12-LED light head, Blue/White
IPX620B-RA	12-LED light head, Red/Amber
IPX620B-RW	12-LED light head, Red/White
IPX620B-WA	12-LED light head, White/Amber

Triple Color, Clear off-axis lens, horizontal mount

IPX630B-BRA	18-LED light head, Blue/Red/Amber
IPX630B-BRW	18-LED light head, Blue/Red/White

Triple Color, Clear off-axis lens, vertical mount

IPX633B-BRW	18-LED light head, Blue/Red/White
-------------	-----------------------------------

Optional Accessories

IPXM-1	Chrome bezel for IPX3 models*
IPX6M-1	Chrome bezel for IPX6 models*

*Note: Black bezel and grommet is included with every model



Two IPX620B-BR mounted with IPX-RSW3 bracket in rear window, on Ford Police Interceptor Utility



IPX620B-BR mounted with IPX-GRL5 bracket in grille, on 2013 Ford Police Interceptor Sedan



IPXM-1



IPX6M-1

Grille Brackets



IPX-GRL1
IMPAXX/Viper EXT, (1) grille brackets with hardware, vertical mount orientation, Ford Crown Victoria Police Package vehicles, 2002 – 2011



IPX-GRL2
IMPAXX/Viper EXT, (1) grille brackets with hardware, horizontal mount orientation, Ford Crown Victoria Police Package vehicles, 2002 – 2011 and Chevy Tahoe 2010 – 2014



IPX-GRL4
IPX3-only, pair of grille brackets with each bracket holds (2) IPX3 light in a vertical orientation for Chevy Caprice, 2011 – 2017



IPX-GRL5
IPX3/IPX6/VPX8/MPS300/MPS600, pair of grille brackets with hardware, Ford Police Interceptor Sedan, 2013 – 2017, not including Ecoboost models



IPX-GRL6
IPX3/IPX6/MPS300/MPS600, pair of grille brackets with hardware, Ford Police Interceptor Utility, 2013 – 2015



IPX-GRL7
IPX3/IPX6/VPX8/MPS3/MPS6. pair of grille bracket with hardware, horizontal mount orientation, Chevrolet Tahoe, 2015 – 2017



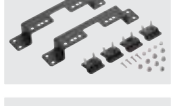
IPX-GRL8
IPX3/IPX6/MPS3U/MPS6/MPS6U/MPS12/MPS12U pair of grille brackets with hardware, horizontal mount orientation, Dodge Charger 2015 – 2017 without Rumbler installation



IPX-GRL9
IPX3/MPS3/MPS3U (1) grille bracket with hardware, horizontal mount orientation, Dodge Charger 2015 – 2017, intended for use with Rumbler installation



IPX-GRL10
IPX3/IPX6/MPS3(U)/MPS6(U), grille bracket with hardware, horizontal mount orientation, Ford Police Interceptor Utility, 2017, does not include Ecoboost models



IPX-GRL11
IPX6/MPS6/MPS6U/MPSW8, grille bracket with hardware, horizontal mount orientation, Ford F-150, 2015 – 2017



IPX-GRL12
IPX3/IPX6/MPS3/MPS6/MPS3U/ MPS6U, grille bracket with hardware, Chevrolet Silverado SSV, 2015 – 2017



IPX-GRL13
IP3/IPX6/MPS3/MPS6/MPS12, grille bracket with hardware, horizontal mount, Chevy Traverse 2016 – 2017



IPX-LPV1
IMPAXX/Viper EXT, flat surface license plate mount, various vehicles without recessed plate mounting locations



IPX-LPV2
Adjustable license plate mounting kit to mount (2) IPX3/ IPX6/MPS3/MPS6/MPS12 light heads to the license plate of popular vehicles



IPX-LPVX1
IMPAXX/Viper EXT, extended license plate bracket for vehicles with a recessed license plate mount location including but not limited to the 2002 – 2008 Ford Crown Victoria Police Package



IPX-LPH1
IMPAXX/Viper EXT, generic high side license plate holder with horizontal mount tab on each side, fits most vehicles



IPX-LPF1
IMPAXX only, generic low side license plate holder for horizontal IMPAXX install, most vehicles



IPX-TRNK4
IPX3/IPX6/VPX8/MPS300/MPS600, pair of inner trunk lid brackets with hardware, Ford Police Interceptor Sedan, 2013 – 2017



IPX-PB45H
IMPAXX/Viper EXT, pair of 45-degree slanted push bumper mounts with hardware, horizontal light orientation, fits most push bumpers



IPX-PB45V
IMPAXX/Viper EXT, pair of 45-degree slanted push bumper mounts with hardware, vertical light orientation, fits most push bumpers



IPX-SW1
IMPAXX/Viper EXT, pair of rear side window mount brackets, 2002 – 2011 Ford Crown Victoria Police Package vehicles



VPX-SW
VPX8/IPX6, pair of rear side window mount brackets, each bracket hold (2) IPX6 lights with cover, late model Ford Crown Victoria Police Package vehicles



IPX-RSW3
IPX3/IPX6/VPX8, pair of rear side window mount brackets, Ford Police Interceptor Utility, 2013 – 2017



IPX-RSW4
Ford Utility cargo side window mounting kit, pair of bracket/cover to mount (1) MPS6U or (2) IPX3, IPX6, or MPS3U on each side of vehicle



IPX-PBL1
IPX3/IPX6/VPX8, pair, universal L-bracket, horizontal orientation



IPXM6-SPACRKT
Kit of four 5-degree rubber mounting wedges for use with IPX6 lights without bezel



IPXM6B-SPACRKT
Kit of four 5-degree rubber mounting wedges for use with IPX6 lights with bezel