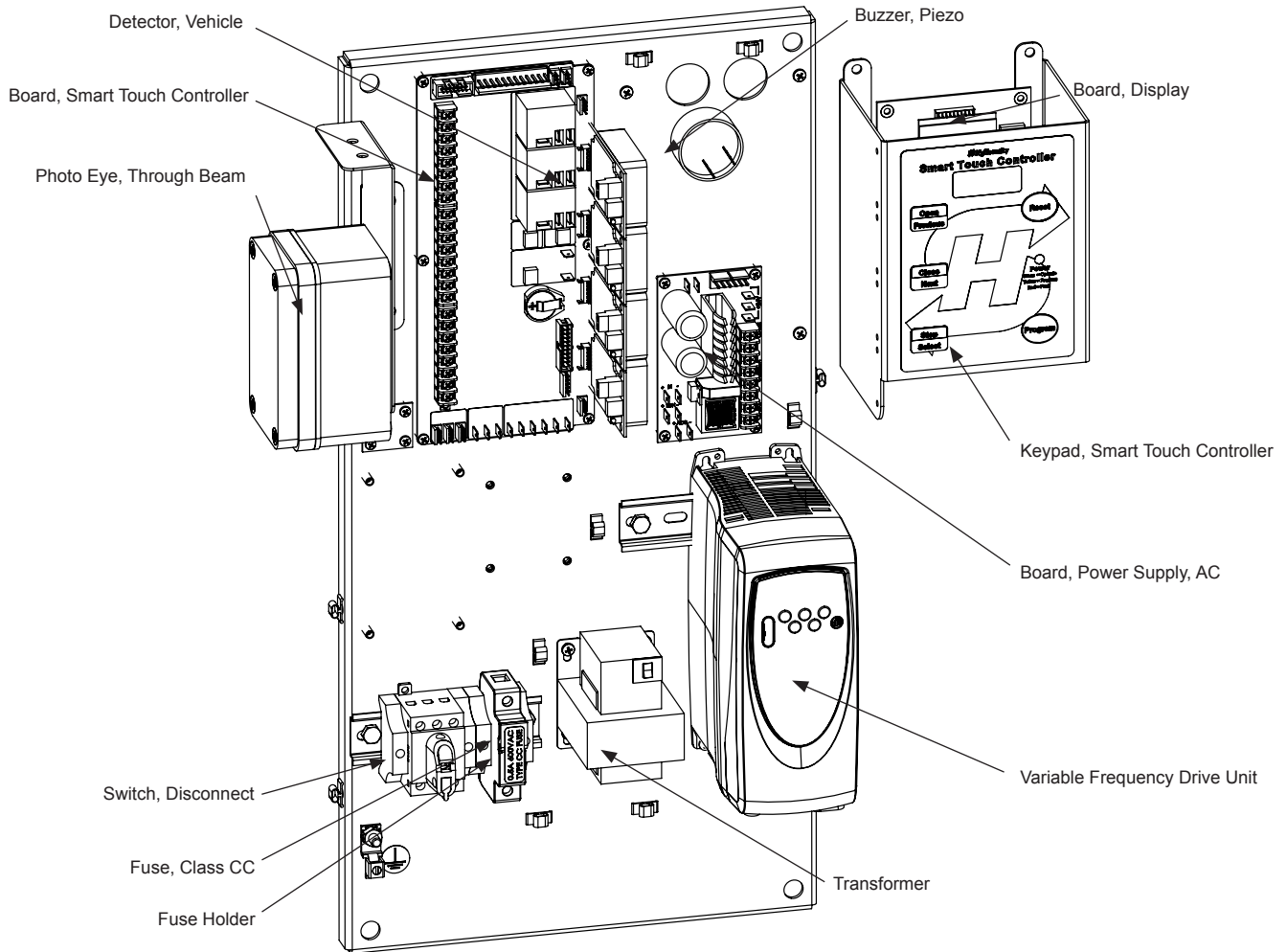
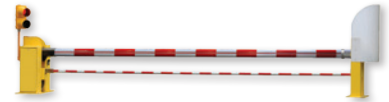


### AC Electrical Panel



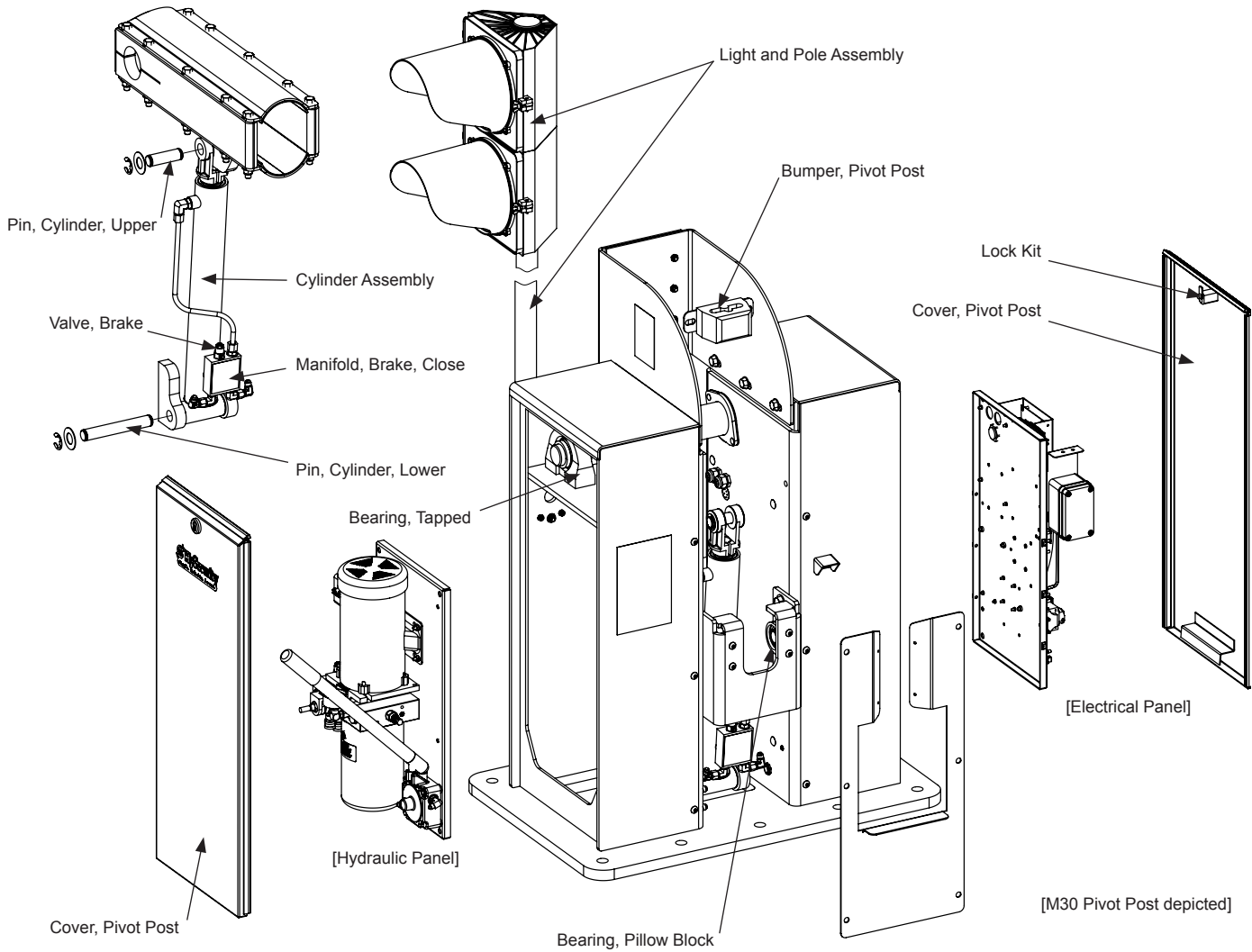
This drawing is a representation and should be used for parts reference only.

Part Name	Part Number	StrongArm Crash Models (current)
Board, Display	MX3356	all
Board, Power Supply, AC	MX000487	all AC models
Board, Smart Touch Controller	MX000585-0	all
Buzzer, Piezo	MX001036	all
Detector, Vehicle, HY-5A	MX000041	all
Fuse Holder, Class CC	MX002670	all AC models
Fuse, Class CC, .5A	MX002672	all AC models
Keypad, Smart Touch Controller	MX3399	all
Photo Eye, Through Beam, 30 ft Range, Wireless, 24VDC	MX002552	all AC models
Photo Eye, Through Beam, 50 ft Range, Wired, 24VDC	MX000846	all
Switch, Disconnect, AC	MX002835	all AC models
Transformer, 24VAC Output, 75VA, 60Hz	MX000486	all AC models
Variable Frequency Drive Unit (VFD), Modbus, 208-230VAC, 50/60Hz, 1Ø/3Ø	MX002733	all 208,220,230VAC 50/60Hz input
Variable Frequency Drive Unit (VFD), Modbus, 380-460VAC, 50/60Hz, 3Ø	MX002734	all 380,460VAC 50/60Hz input



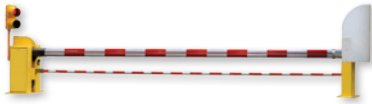
## Part Diagrams

### Pivot Post

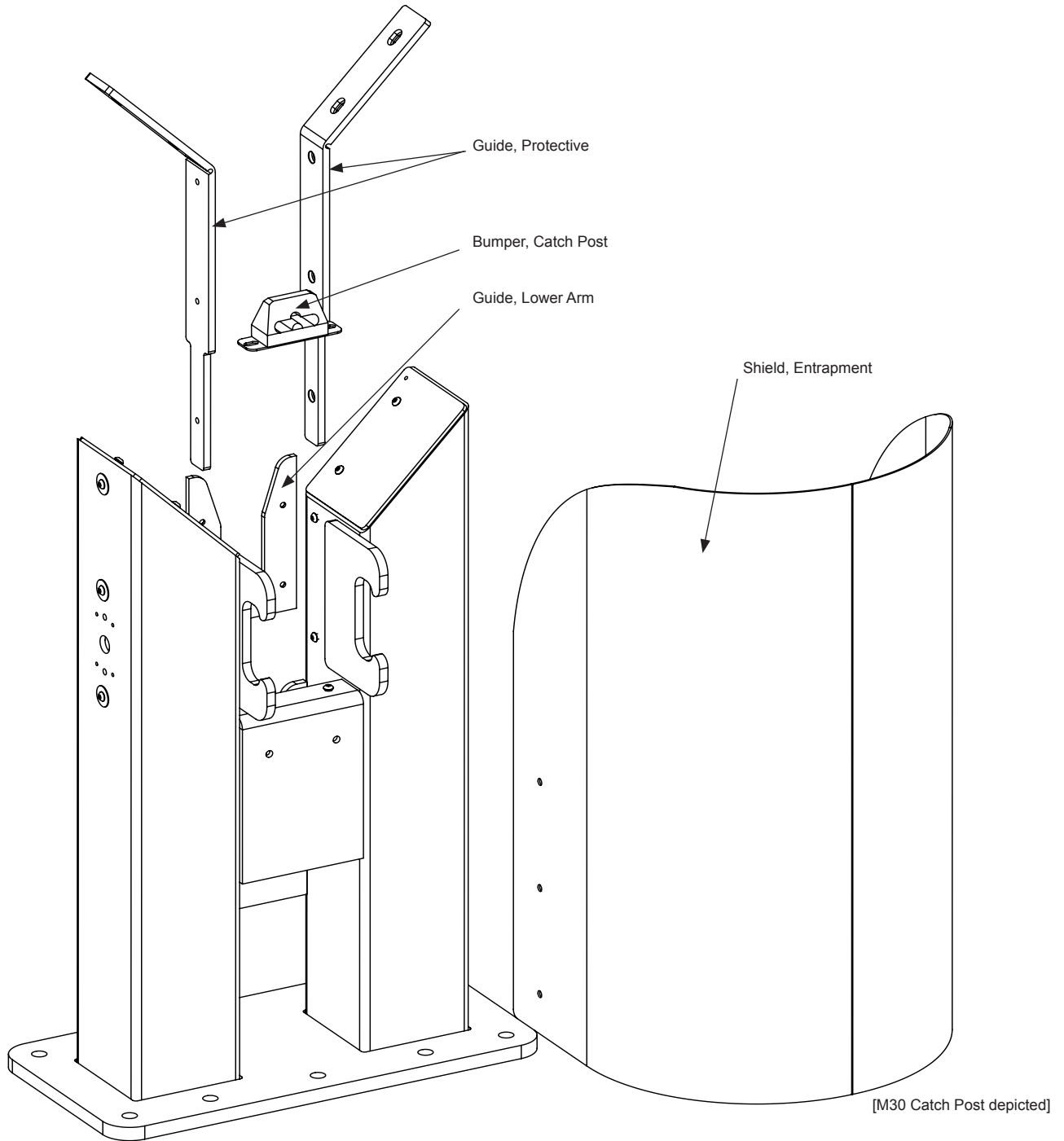


This drawing is a representation and should be used for parts reference only.

Part Name	Part Number	StrongArmCrash Models (current)
Bearing, Pillow Block, 1 inch	MX000771	all
Bearing, Tapped, 1.9375 inch	MX002647	all
Bumper, Pivot Post	MX002295	all
Cover, Pivot Post, Replacement Kit, Galvanized	MX002609	all
Cover, Pivot Post, Replacement Kit, Signal Yellow	MX002726	all
Cylinder Assembly, Position Sensing	MX002605	all
Light and Pole Assembly, Traffic, Galvanized Pole	MX002849	all
Light and Pole Assembly, Traffic, Yellow Pole	MX002608	all
Lock, Housing, Door, M30	MX002301	all
Manifold, Brake, Close	MX002837	all
Pin, Cylinder, Lower	MX002382	all
Pin, Cylinder, Upper	MX002381	all
Valve, Brake	MX000657	all

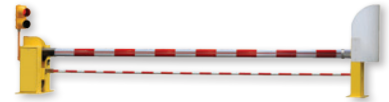


### Catch Post



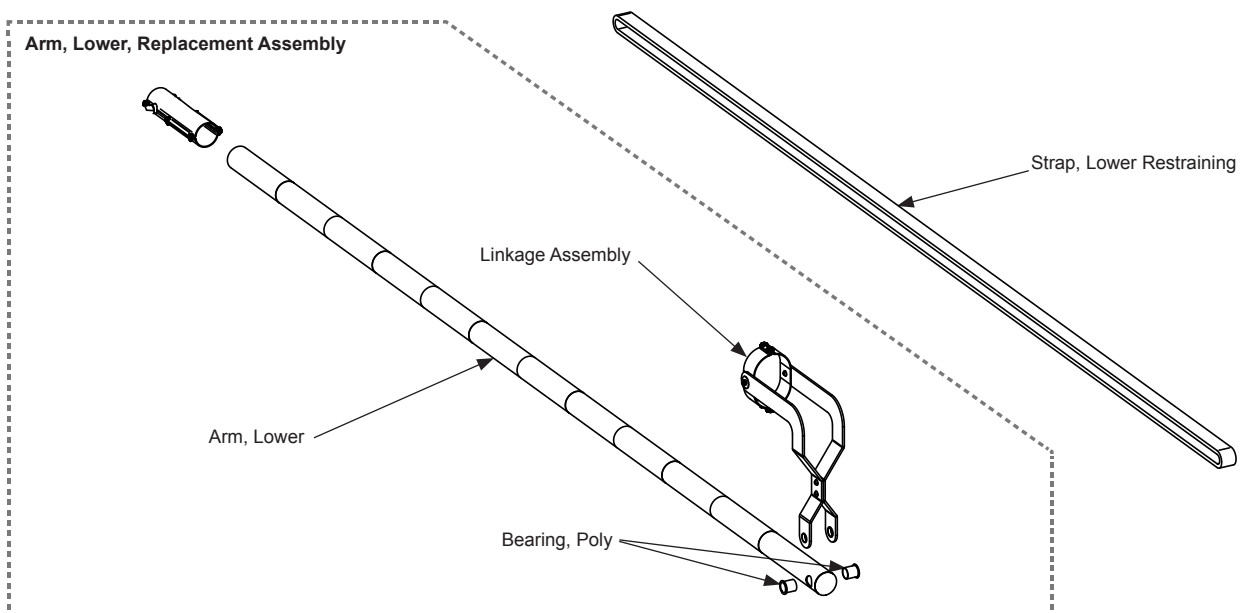
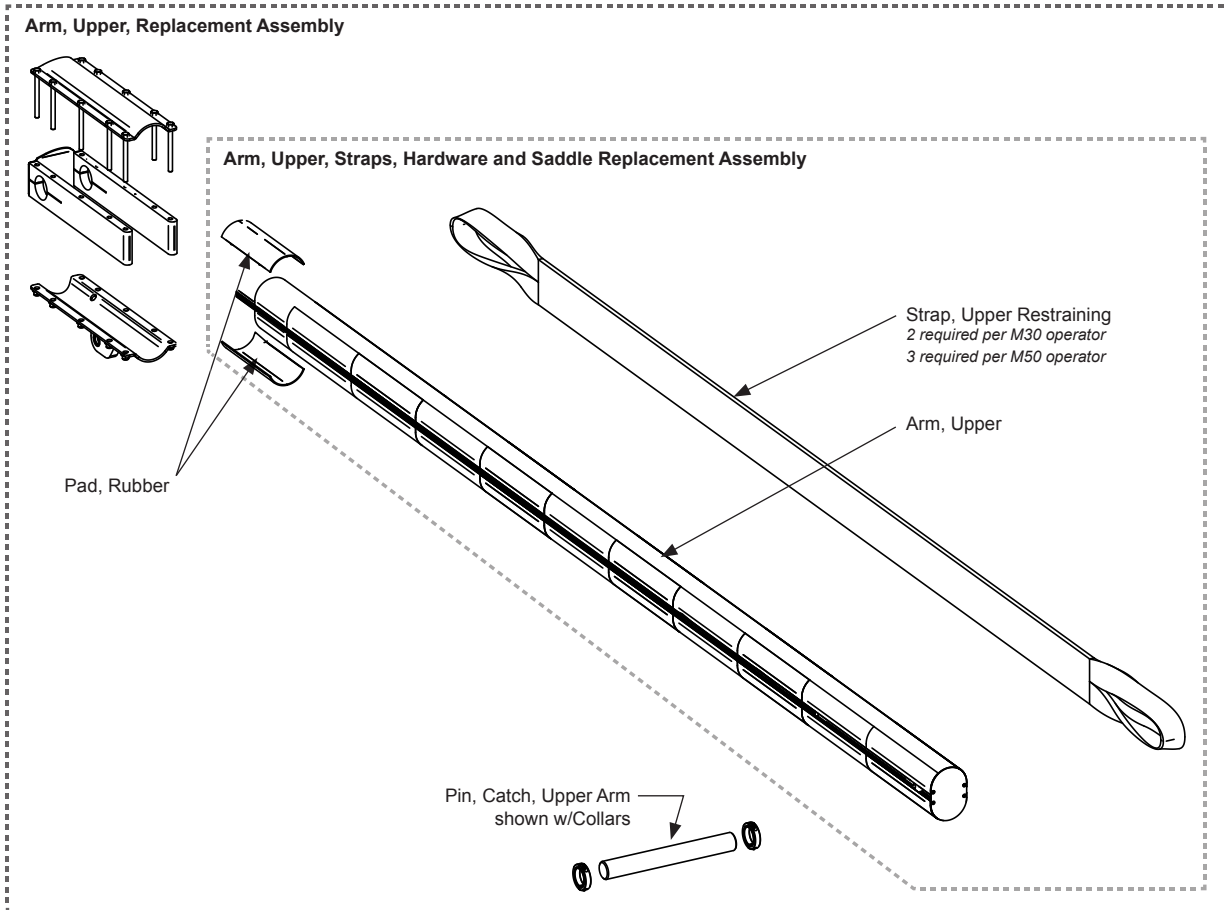
This drawing is a representation and should be used for parts reference only.

Part Name	Part Number	StrongArmCrash Models (current)
Anchor and Template Kit, M30	MX002557	all
Bumper, Catch Post	MX002708	all
Guide, Lower Arm, Catch Post	MX002851	all
Guide, Protective, Catch Post	MX002850	all
Shield, Entrapment, Catch Post	MX002834	all

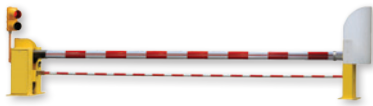


## Part Diagrams

### Arms & Hardware

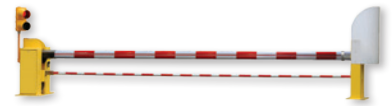


This drawing is a representation and should be used for parts reference only.



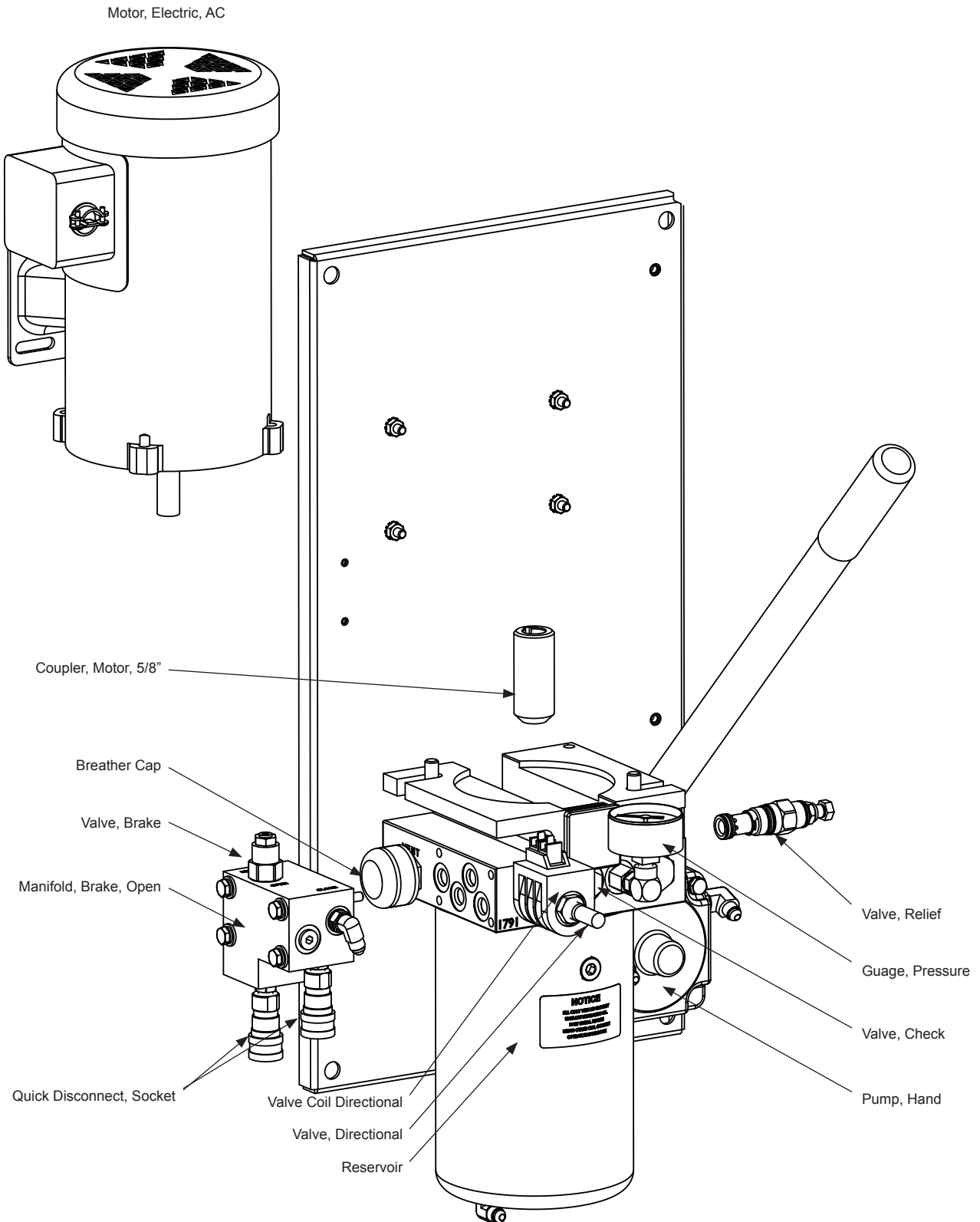
### Arms & Hardware

Part Name	Part Number	StrongArmCrash Models (current)
Arm, Lower, Replacement Assembly, 12 ft	MX2397-12	all
Arm, Lower, Replacement Assembly, 14 ft	MX2397-14	all
Arm, Lower, Replacement Assembly, 16 ft	MX2397-16	all
Arm, Lower, Replacement Assembly, 18 ft	MX2397-18	all
Arm, Lower, Replacement Assembly, 20 ft	MX2397-20	all
Arm, Lower, Replacement Assembly, 22 ft	MX2397-22	all
Arm, Lower, Replacement Assembly, 24 ft	MX2397-24	all
Arm, Upper, Replacement, 12 ft clear opening	MX2388-12	all
Arm, Upper, Replacement, 14 ft Clear Opening	MX2388-14	all
Arm, Upper, Replacement, 16 ft Clear Opening	MX2388-16	all
Arm, Upper, Replacement, 18 ft Clear Opening	MX2388-18	all
Arm, Upper, Replacement, 20 ft Clear Opening	MX2388-20	all
Arm, Upper, Replacement, 22 ft Clear Opening	MX2388-22	all
Arm, Upper, Replacement, 24 ft Clear Opening	MX2388-24	all
Arm, Upper, Straps, Hardware and Saddle, M30, 12 ft	MX2603-12	all
Arm, Upper, Straps, Hardware and Saddle, M30, 14 ft	MX2603-14	all
Arm, Upper, Straps, Hardware and Saddle, M30, 16 ft	MX2603-16	all
Arm, Upper, Straps, Hardware and Saddle, M30, 18 ft	MX2603-18	all
Arm, Upper, Straps, Hardware and Saddle, M30, 20 ft	MX2603-20	all
Arm, Upper, Straps, Hardware and Saddle, M30, 22 ft	MX2603-22	all
Arm, Upper, Straps, Hardware and Saddle, M30, 24 ft	MX2603-24	all
Bearing, Poly, 1.25 inch ID x 1.5 inch	MX002588	all
Linkage Assembly, Lower Arm	MX002723	all
Pad, Rubber, 6 x 12 inch	MX002634	all
Pin, Catch, Upper Arm	MX002277	all
Strap, Lower Restraining, 12 ft	MX2387-12	all
Strap, Lower Restraining, 14 ft	MX2387-14	all
Strap, Lower Restraining, 16 ft	MX2387-16	all
Strap, Lower Restraining, 18 ft	MX2387-18	all
Strap, Lower Restraining, 20 ft	MX2387-20	all
Strap, Lower Restraining, 22 ft	MX2387-22	all
Strap, Lower Restraining, 24 ft	MX2387-24	all
Strap, Upper Restraining, 12 ft	MX2228-12	all
Strap, Upper Restraining, 14 ft	MX2228-14	all
Strap, Upper Restraining, 16 ft	MX2228-16	all
Strap, Upper Restraining, 18 ft	MX2228-18	all
Strap, Upper Restraining, 20 ft	MX2228-20	all
Strap, Upper Restraining, 22 ft	MX2228-22	all
Strap, Upper Restraining, 24 ft	MX2228-24	all

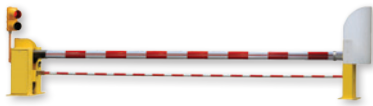


## Part Diagrams

### Hydraulic Panel

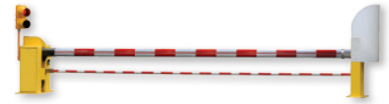


This drawing is a representation and should be used for parts reference only.



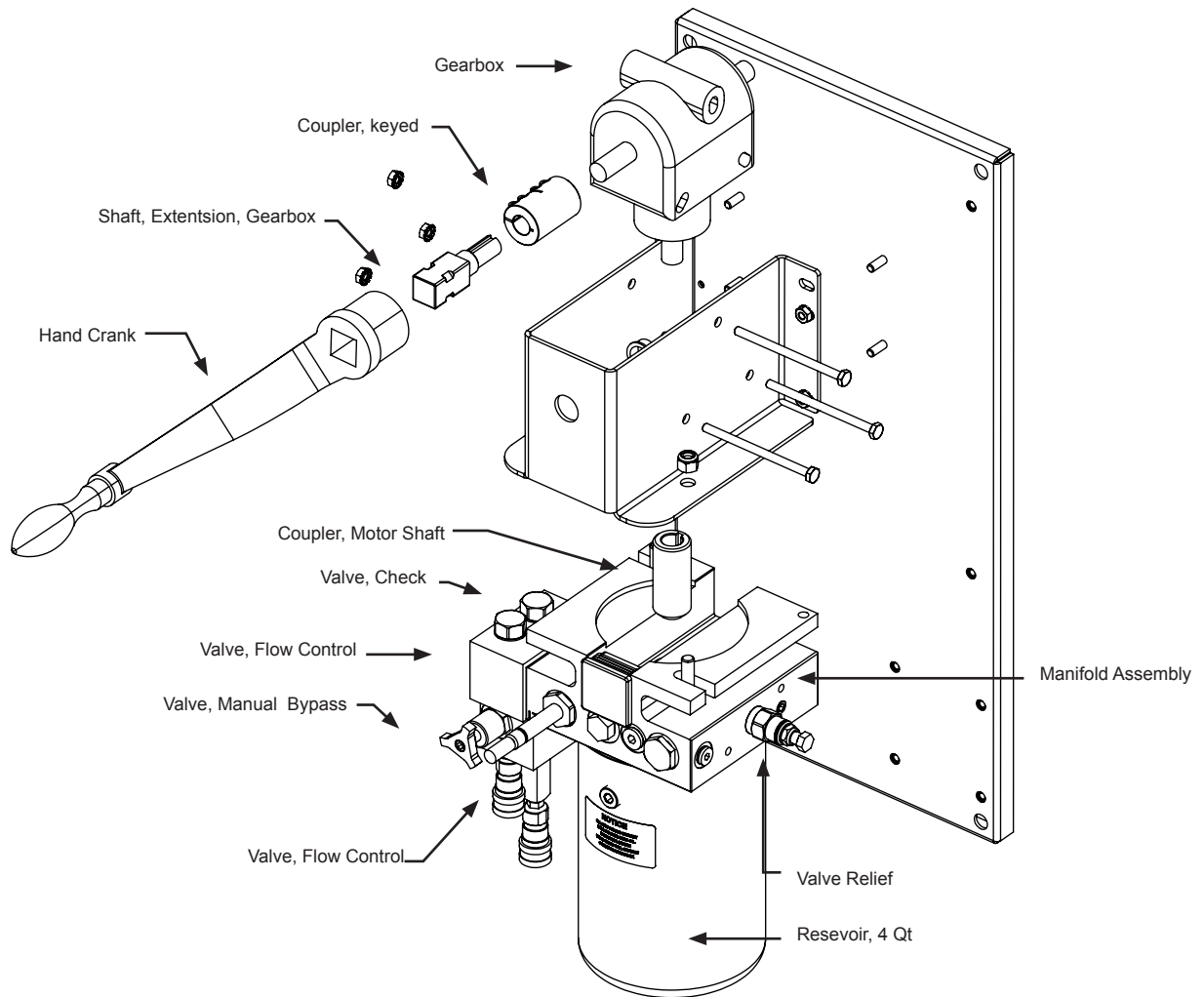
### Hydraulic Panel

Part Name	Part Number	StrongArmCrash Models (current)
Breather Cap	MX000686	all
Contactora, DC Motor	MX002768	all
Coupler, Motor, 5/8 inch Shaft, 6T, New	MX002054	all
Fluid, Biodegradable Hydraulic	MX002836	all
Fluid, Hydraulic	MX000970	all
Gauge, Pressure, 2000 PSI, Kit	MX001106	all
Manifold, Brake, Open, Assembly	MX002412	all
Motor, Electric, 60Hz, 2 hp, 3Ø, 3450 RPM, 208-230/460VAC	MX001638	all
Pump Pack, Biodegradable, StrongArm M30/M50, 12 - 18 ft	MX3683	StrongArm M30, 12-18' arm
Pump Pack, Biodegradable, StrongArm M30/M50, 20 - 24 ft	MX3682	StrongArm M30, 20-24' arm
Pump Pack, StrongArm M30/M50, 12 - 18 ft	MX3614	StrongArm M30, 12-18' arm
Pump Pack, StrongArm M30/M50, 20 - 24 ft	MX3613	StrongArm M30, 20-24' arm
Pump, Hand, Replacement Kit	MX002821	all
Quick Disconnect, Socket, 1/8 inch	MX000169	all non-powered models
Quick Disconnect, Socket, 1/4 inch	MX000201	all powered models
Reservoir, Hydraulic Fluid	MX002393	all
Valve Coil, Directional, 24VDC	MX000184	all
Valve, Brake	MX000657	all
Valve, Check, Endhead Main	MX000171	all
Valve, Directional with Manual	MX001257	all
Valve, Relief, 3000 PSI	MX000174	all



## Part Diagrams

### Hydraulic Panel for M30/M50 NP (no-power)



This drawing is a representation and should be used for parts reference only.

Part Name	Part Number	StrongArmCrash Models (current)
Coupler, 5/8 x 5/8 inch, Keyed	MX3692	all
Coupler, Motor, 5/8 inch Shaft, 6T, New	MX002054	all
Gearbox, 3:1, Bevel, Right Angle	MX3684	all
Hand Crank, 10 inch L Square Drive	MX3691	all
Manifold Assembly, NP (No Power)	MX3689	NP
Pump Pack, Biodegradable, StrongArm M30/M50 NP, 12 - 18 ft	MX3688-02	NP
Pump Pack, Biodegradable, StrongArm M30/M50 NP, 20 - 24 ft	MX3688-01	NP
Pump Pack, StrongArm M30/M50 NP, 12 - 18 ft	MX3687-02	NP
Pump Pack, StrongArm M30/M50 NP, 20 - 24 ft	MX3687-01	NP
Reservoir, 4 Qt	MX000161	all
Shaft, Extensions, Gearbox	MX3686	all
Valve, Check, Manifold	MX000352	all
Valve, Flow Control	MX001258	all
Valve, Manual Bypass	MX001255	all
Valve, Relief, 1500 PSI	MX000658	all