



BEACONS



EB7260 SERIES

SAE Class I or II LED

ECCO's EB7265 Series LED Beacon produces a warning signal that is ideal for industrial applications. The long, maintenance-free service life of LED technology, backed by a 3-year warranty, makes this a perfect replacement solution for existing strobe beacons. This cost-effective light features 12-24V operating range that also makes it ideal for use on electrically powered vehicles and equipment.

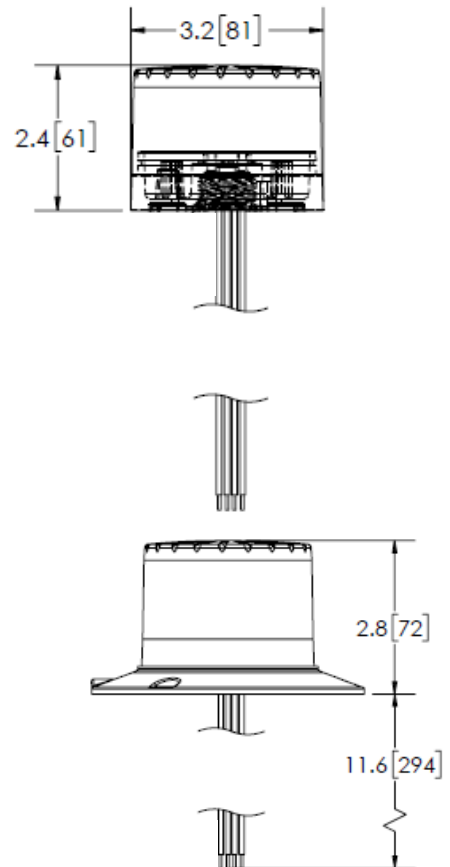
Models

PART NO.	VOLTAGE	AMPS	FLASH PATTERNS	FPM	MOUNT
EB7265A	12-24	1.72	41	75 - 120	Flange / Pipe-Mount
EB7265C	12-24	1.4	41	75 - 120	Flange / Pipe-Mount
EB7265CX	12-24	1.4	41	75 - 120	Flange / Pipe-Mount
EB7265CXX	12-24	1.4	96	75 - 120	Flange / Pipe-Mount

Replace X in part number with desired color: A=amber, B=blue, G=green, R=red
 Replace XX in part number with desired color: AB=amber/blue, AC=amber/white, AG=amber/green, AR=amber/red

Features and Benefits

- Economical-style beacon with several flash pattern options
- Removable flange assembly for easy pipe-mount configuration
- Flash Mode:
 - Single: 75 - 120
 - Double: 75
- Reinforced polycarbonate flange and lens
- Temperature Range: -22°F to +122°F (-30°C to +50°C)



T 800-635-5900 | orders@eccogroup.com