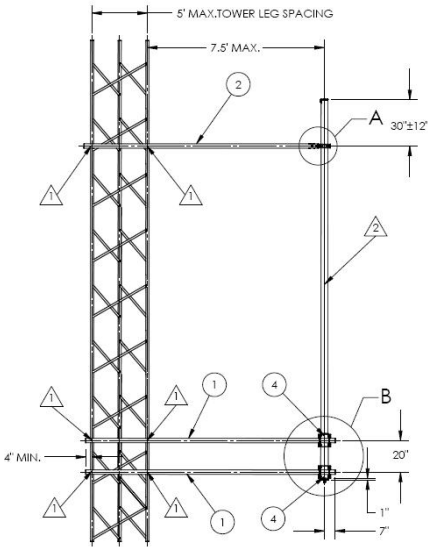


**SMK-345-A7**

**Antenna Side Mount Kit, 7.5' max. from tower, max. 5' tower leg spacing**

Also referred as: SMK345-A7

- Clamps are NOT included for securing the side mount kit to the tower
- Clamps will vary depending on the shape and size of the tower leg
- Please contact the Customer Service Department at Sinclair Technologies for assistance

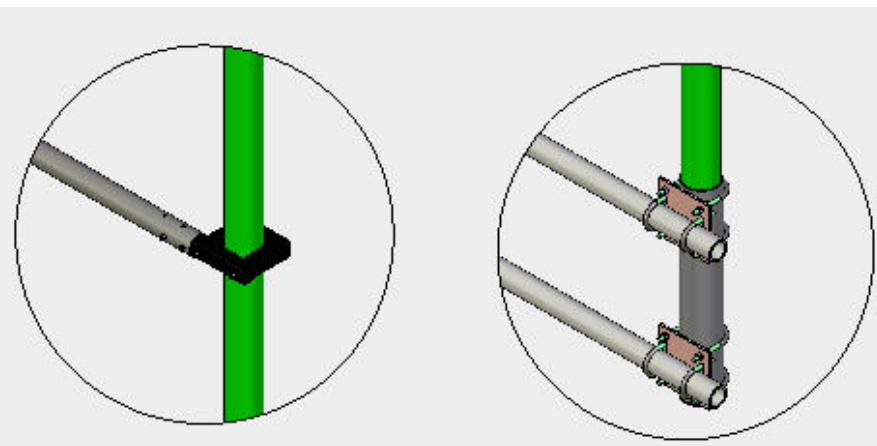


**Mechanical Specifications**

Weight	kg (lbs)	59.02 (130)
Bolt 3/8-16 Torque, Dry	Nm (ft-lbs)	20.3 (15)
Bolt 1/2-13 Torque, Dry	Nm (ft-lbs)	(30)

**Environmental Specifications**

Wind Loading Area (Flat Plate Equivalent)	m <sup>2</sup> (ft <sup>2</sup> )	0.65 (7.02)
Rated wind velocity (no ice)	km/h (mph)	298 (185)
Rated wind velocity (1/2" radial ice)	km/h (mph)	250 (155)



Region	United States	Europe, Middle East and Africa	Caribbean and Latin America	Canada and rest of the world
Telephone	USA: 1 800 263 3275	International: +44 (0) 1487 84 28 19	International: +1 905 726 7676	Canada: 1 800 263 3275 International: +1 905 727 0165
E-mail	salesusa@sinctech.com	salesuk@sinctech.com	salesla@sinctech.com	salescan@sinctech.com
Product Specification Sheet EPR 005859		SMK-345-A7	Issue: 6	Dated: 14-06-11 Dated: 21-01-09