



► Model 371LED

Commander® LED Rotating Light



Model 371LED warning lights have an array of 12 powerful LEDs arranged below a reflector. The reflector focuses the light from the LEDs into a high intensity beam and rotates 360 degrees.

The LEDs, reflector and motor module are sealed under a polycarbonate dome which completes a water-tight, dust-tight enclosure.

The 371LED base features electrostatically applied black powder paint for greater corrosion resistance. Wiring can be routed through the pipe-mount opening in the bottom of the light or the two side knockouts can be used for side entry wiring. Installation can be surface or 1-inch NPT pipe mount. Optional wall and corner mount brackets are available.

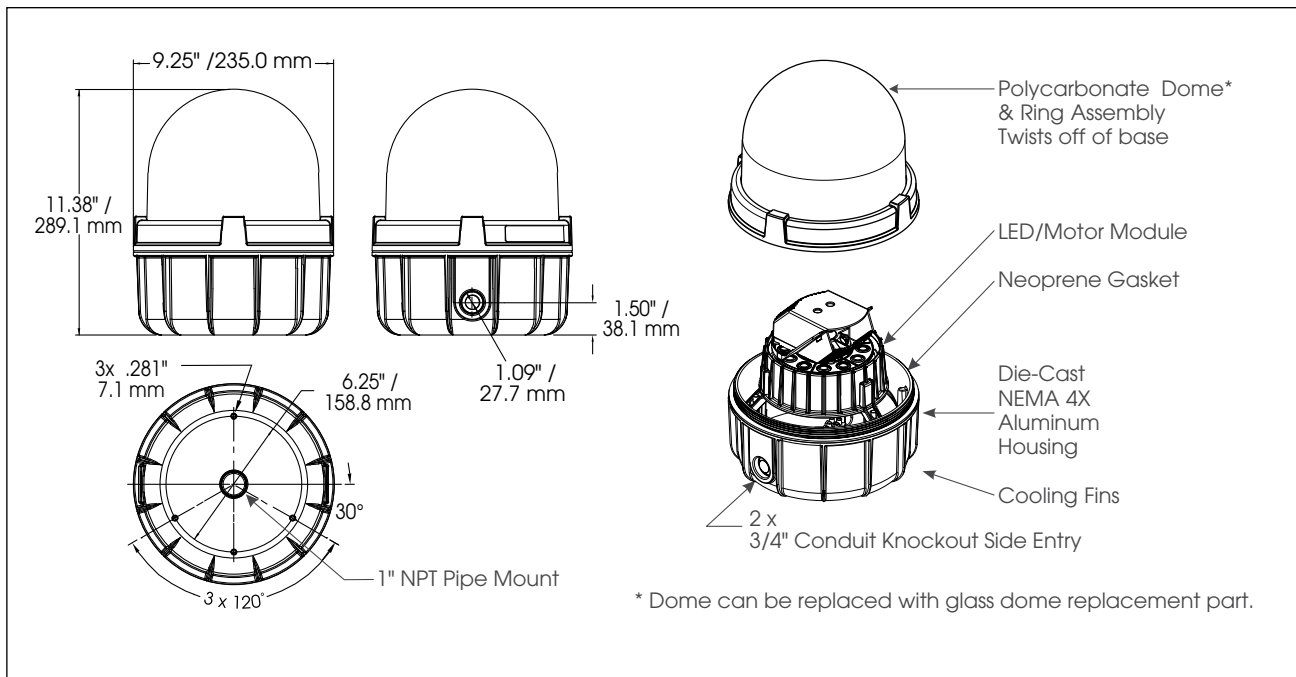
FEATURES

- Available in 120VAC
- 50,000 hour LED light source
- Surface mount and integrated 1-inch NPT pipe mount
- Type 4X, IP66 enclosure
- IP69K compliant
- UL and cUL Listed

MODEL	VOLTAGE	OPERATING CURRENT	FLASH RATE/ MINUTE	LIGHT OUTPUT	MOUNT
371LED-120*	120VAC 50/60Hz	320 mA	60	15,000 cd	1" NPT Pipe/Surface

*Indicates color: (A) Amber, (B) Blue, (C) Clear, (G) Green or (R) Red

Commander® LED Rotating Light (371LED)



SPECIFICATIONS

Lamp Life:	50,000 Hours	
Light Source:	LED Array	
Operating Temperature:	-31°F to 150°F	-35°C to 66°C
Net Weight:	7.1 lbs	3.2 kg
Shipping Weight:	8.1 lbs	3.7 kg
Height:	11.38"	289.1 mm
Diameter:	9.25"	235.0 mm

HOW TO ORDER

371LED

- 120

A

TYPE
371LED

VOLTAGE
120VAC
50/60Hz

COLOR
A Amber
B Blue
C Clear
G Green
R Red

REPLACEMENT PARTS

Description	Part Number
Series B Dome and Ring Assembly	
Amber Polycarbonate ¹	K8459125A
Blue Polycarbonate ¹	K8459125A-01
Clear Polycarbonate ¹	K8459125A-02
Green Polycarbonate ¹	K8459125A-03
Red Polycarbonate ¹	K8459125A-04
Gasket, Surface Mount	K8459127A
LED/Motor Module, Amber	K8459159A-A
LED/Motor Module, Blue	K8459159A-B
LED/Motor Module, White	K8459159A-W
LED/Motor Module, Green	K8459159A-G
LED/Motor Module, Red	K8459159A-R

¹ Includes 1 dome gasket

OPTIONAL ACCESSORIES

Description	Part Number
Corner Bracket	LCMB2*
Wall Bracket	LWMB2*
Solid Surface Mounting Bracket	371BRCKT
Shock Mount Kit	K8459A076C
3/4" Hub Kit	K8459138A
1" Plug Kit	K8459130A

* Type 3R rated

Corner and Wall Brackets shown on pages 136-137