

TNU-4041T/4051T

VGA Thermal Positioning Camera

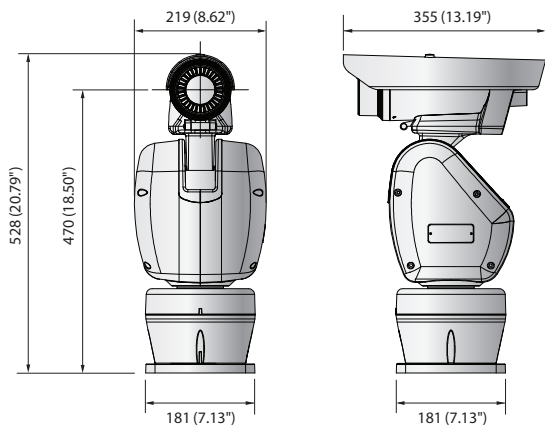


Key Features

- 640 x 480 resolution
- Built-in 19mm (TNU-4041T), 35mm (TNU-4051T) fixed lens
- H.265, H.264, MJPEG codec, WiseStream II support
- 30fps@all resolutions (H.265, H.264)
- Tampering, Loitering, Directional/Virtual Line Detection, Enter/Exit, Appear/Disappear, Audio Detection, Motion Detection, Handover, Sound Classification, Shock detection, Temperature change detection
- Micro SD/SDHC/SDXC memory slot (Maximum 256GB)
- 24V AC, NEMA 4X
- IK10 (TNU-4041T)

Dimensions

Unit : mm (inch)



	TNU-4041T	TNU-4051T
VIDEO		
Imaging Device	Uncooled Micro bolometer	
Pixel Size	17μm	
Effective Pixels	640x480	
NETD	50mK	
Video Out	CVBS : 1.0 Vp-p / 75Ω composite, 720x480, for installation	
LENS		
Focal Length (Zoom Ratio)	19mm fixed	35mm fixed
Maximum Aperture Ratio	F1.0	
Angular Field of View	H : 32° / V : 24.3° / D : 39.2°	H : 17.2° / V : 13° / D : 22°
Minimum Object Distance	11m	36m
Focus Control	Fixed	
Mount Type	Board-in type	
PAN / TILT / ROTATE		
Pan Range	360° Endless	
Pan Speed	0.025°~ 120°/sec	
Tilt Range	-90° ~ 40°	
Tilt Speed	0.025°~ 40°/sec	
Sequence	Preset (300ea), Group (6ea)	
Preset Accuracy	0.3°	
Azimuth	Yes (E / W / S / N / NE / NW / SE / SW)	
OPERATIONAL		
Camera Title	Off / On - English / Numeric / Special characters / International characters - Multi-line (Maximum 5), Color (Gray / Green / Red / Blue / Black / White), Transparency, Auto scale by resolution	
Digital Image Stabilization	Off / On (with gyro sensor)	
Motion Detection	Off / On (8ea, 8point polygonal zones), Handover Tampering, Loitering, Directional/Virtual Line Detection, Enter / Exit, Appear / Disappear, Audio Detection, Motion Detection, Sound Classification, Shock detection, Temperature change detection	
Video & Audio Analytics	Input 1ea / Output 1ea	
Alarm I/O	Alarm input, Motion detection, Video & audio analytics, Network disconnect	
Alarm Triggers	File upload via FTP and E-Mail, Notification via E-Mail, Handover	
Alarm Events	Local storage (Micro SD/SDHC/SDXC) or NAS recording at event triggers, Alarm output Selectable (Mic in / Line in), Supply voltage : 2.5VDC (4mA), Input impedance : approx. 2K Ohm	
Audio In	Line out, Maximum output level : 1 Vrms	
Audio Out	Support	
Pixel Count	Support	
NETWORK		
Ethernet	RJ-45 (10/100BASE-T)	
Video Compression Format	H.265 / H.264 (MPEG-4 Part 10/AVC) : Main / Baseline / High , Motion JPEG	
Resolution	640x480, 640x360, 320x240	
Maximum Framerate	H.265/H.264 : Maximum 30fps at all resolutions / Motion JPEG : Maximum 30fps	
Smart Codec	Manual Mode (area-based : 5EA)	
WiseStream II	Support	
Video Quality Adjustment	H.264 / H.265 : Target bitrate level control / MJPEG : Target bitrate level control	
Bitrate Control Method	H.264 / H.265 : CBR or VBR / MJPEG : VBR	
Streaming Capability	Multiple streaming (Up to 10 profiles) G.711 u-law / G.726 Selectable G.726 (ADPCM) 8KHz, G.711 8KHz G.726 : 16Kbps, 24Kbps, 32Kbps, 40Kbps AAC-LC : 48Kbps at 8/16/32/48KHz	
Audio Compression Format	Bi-directional (2-Way)	
Audio Communication	IPV4, IPV6	
IP	TCP/IP, UDP/IP, RTP(UDP), RTP(TCP), RTCP, RTSP, NTP, HTTP, HTTPS, SSL/TLS, DHCP, FTP, SMTP, ICMP, IGMP, SNMPv1/v2c/v3(MIB-2), ARP, DNS, DDNS, QoS, PIM-SM, UPnP, Bonjour	
Protocol	HTTPS (SSL) login authentication, Digest login authentication, IP address filtering, User access log, 802.1X authentication (EAP-TLS, EAP-LEAP)	
Security	Unicast / Multicast	
Streaming Method	20 users at unicast mode	
Maximum User Access	Micro SD/SDHC/SDXC 1 slot (up to 256 GB) - Motion Images recorded in the micro SD/SDHC/SDXC memory card can be downloaded. NAS (Network Attached Storage) Local PC for instant recording	
Edge Storage	ONVIF Profile S/G, SUNAPI (HTTP API), Open Platform English, French, German, Italian, Spanish, Russian, Turkish, Polish, Dutch, Swedish, Czech, Portuguese, Japanese, Chinese, Korean Supported OS : Windows 7, 8.1, 10, Mac OS X 10.10, 10.11, 10.12 - Supported Browsers: Google Chrome 63, Microsoft Edge 41, Microsoft Internet Explorer 11, Mozilla Firefox 57 (Windows 64-bit only), Apple Safari 11 (Mac OS X only)	
Application Programming Interface	Wisenet WAVE, SmartViewer, SSM	
Webpage Language		
Web Viewer		
Central Management Software		
ENVIRONMENTAL		
Operating Temperature / Humidity	-40°C ~ +60°C (-40°F ~ +140°F) / Less than 90% RH	
Storage Temperature / Humidity	-50°C ~ +60°C (-58°F ~ +140°F) / Less than 90% RH	
Ingress Protection	IP66, NEMA 4X	
Vandal Resistance	IK10	-
ELECTRICAL		
Input Voltage / Current	24VAC (±10%) / Maximum 6A	
Power Consumption	84W (Heater on), 62W (Heater off)	
MECHANICAL		
Color / Material	White / Aluminum	
Dimension (WxHxD)	219x528x335mm (8.62"x20.79"x13.19")	
Weight	11.7 kg (25.79lb)	

* The latest product information / specification can be found at hanwhasecurity.com

* Design and specifications are subject to change without notice.

* Wisenet is the proprietary brand of Hanwha Techwin.