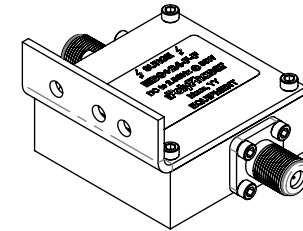
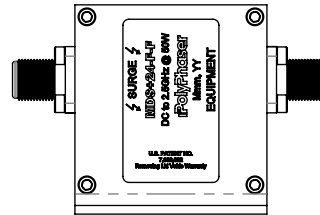


REVISIONS				
REV.	DESCRIPTION	ECN	DATE	APPROVED
J	REFER TO ECN	13756	8/5/16	EJD

HARDWARE KIT INCLUDES:	
QTY	DESCRIPTION
2	SCREW 10-32 X .50 SLOT MS PAN 18-8 SS
2	NUT 10-32 HEX 18-8 SS
2	WASHER 10 EXT TOOTH SS



### MAXIMUM CHARACTERISTICS

#### IMPEDANCE:

75 Ohms

#### RF POWER CAPABILITY:

50 Watts

#### TELEMETRY FREQUENCY BAND:

10 kHz TO 150 kHz

10 MHz TO 100 MHz

#### Rx/Tx FREQUENCY BAND:

300 MHz TO 2500 MHz

#### TELEMETRY INSERTION LOSS:

2.0 dB MAX.

#### Rx/Tx INSERTION LOSS:

1.0dB MAX 300 TO 2000MHz

1.1dB MAX 2000MHz TO 2500MHz

#### TELEMETRY I/O RETURN LOSS:

10 dB MIN.

#### Rx/Tx I/O RETURN LOSS:

15 dB MIN.

#### Rx/Tx GROUP DELAY VARIATION:

100 ps MAX.

#### OPERATING VOLTAGE & CURRENT:

+24 VDC @ 3 Amps

#### STAND OFF VOLTAGE:

±33 VDC

#### SURGE PROTECTION:

IEC 61000-4-5, 8/20 μS @ 3 kA

IEC 61000-4-5, 10/350 μS @ 3 kA

#### PEAK LET THROUGH VOLTAGE:

2X OPERATING VOLTAGE

#### THROUGH-PUT ENERGY:

1 mJ MAX.

#### OPERATING ENVIRONMENT:

TEMPERATURE RANGE: -50 TO +85°C

RELATIVE HUMIDITY: 0 TO 100% CONDENSING

ALTITUDE: 15,000 FEET

#### STORAGE ENVIRONMENT:

TEMPERATURE RANGE: -50 TO +95°C

RELATIVE HUMIDITY: 0 TO 100% CONDENSING

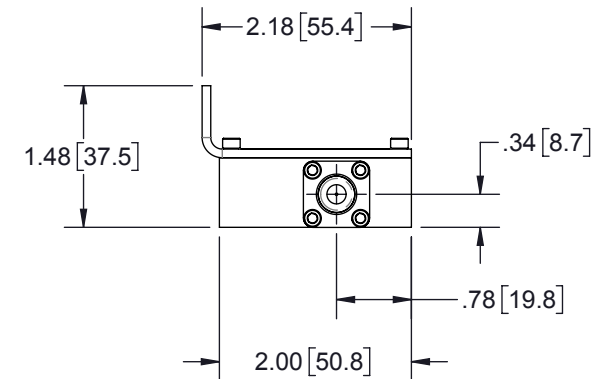
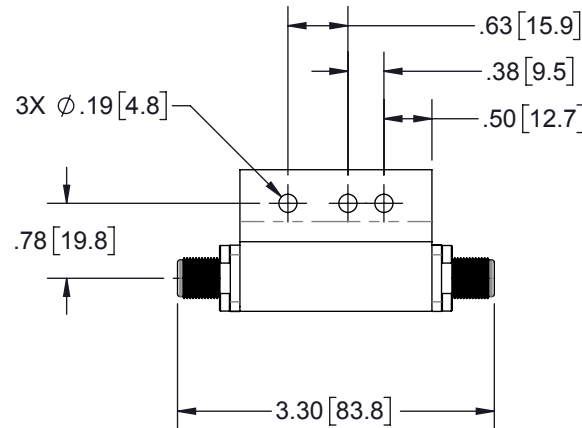
ALTITUDE: 50,000 FEET

#### SHOCK AND VIBRATION:

OPERATING VIBRATION: ETS 300 019-2-4, CLASS 4M3

OPERATING SHOCK: ETS 300 019-2-4, CLASS 4M3

TRANSPORTATION: ETS 300 019, CLASSIFICATION 2.3



CUSTOMER APPROVAL: \_\_\_\_\_ DATE: \_\_\_\_\_

ALL DIMENSIONS SHOWN ARE FOR REFERENCE ONLY.

<small>UNLESS OTHERWISE SPECIFIED LEADING DIMENSIONS ARE INCHES DIMENSIONS IN [ ] ARE MILLIMETERS</small> TOLERANCES: FRACTIONS=± 1/32 .XX=± .03 ANGLES=± 1° .XXX=± .010 NOTICE: THE INFORMATION AND DESIGN IN THIS DOCUMENT IS THE PROPERTY OF POLYPHASER CORPORATION. ALL RIGHTS RESERVED. THIRD-ANGLE PROJECTION 	DRAWN	IB	DATE			SHEET	1	OF	1
	ENG APPD	RCD	7/10/02			SCALE	1:2		
	PRODUCT MGR	LC	7/3/02			TITLE <b>BIAS NETWORK</b> <b>75 OHM F FEM</b> CUSTOMER SPECIFICATION			
	MARKETING APPD	PH	7/10/02						
PROJECT NO.				SIZE	CAGE	PROD CAT	PART NUMBER	REV	
DOCUMENT NAME	MDS+24-F-F-C			A	30992	RFP	MDS+24-F-F	J	

THESE COMMODITIES, TECHNOLOGY OR SOFTWARE WERE EXPORTED FROM THE UNITED STATES IN ACCORDANCE WITH THE EXPORT ADMINISTRATION REGULATIONS. DIVERSION CONTRARY TO U.S. LAW PROHIBITED.