

4

3

2

1

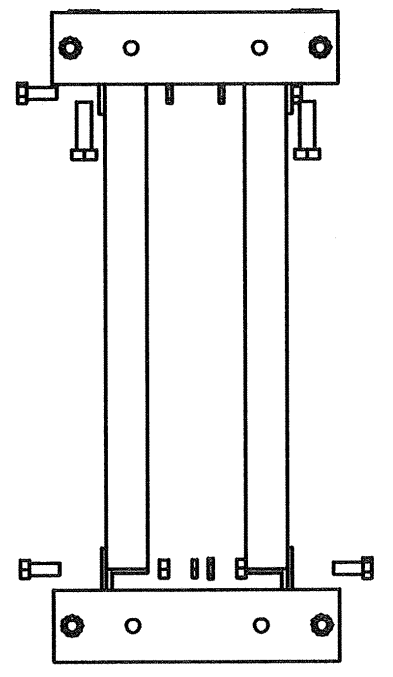
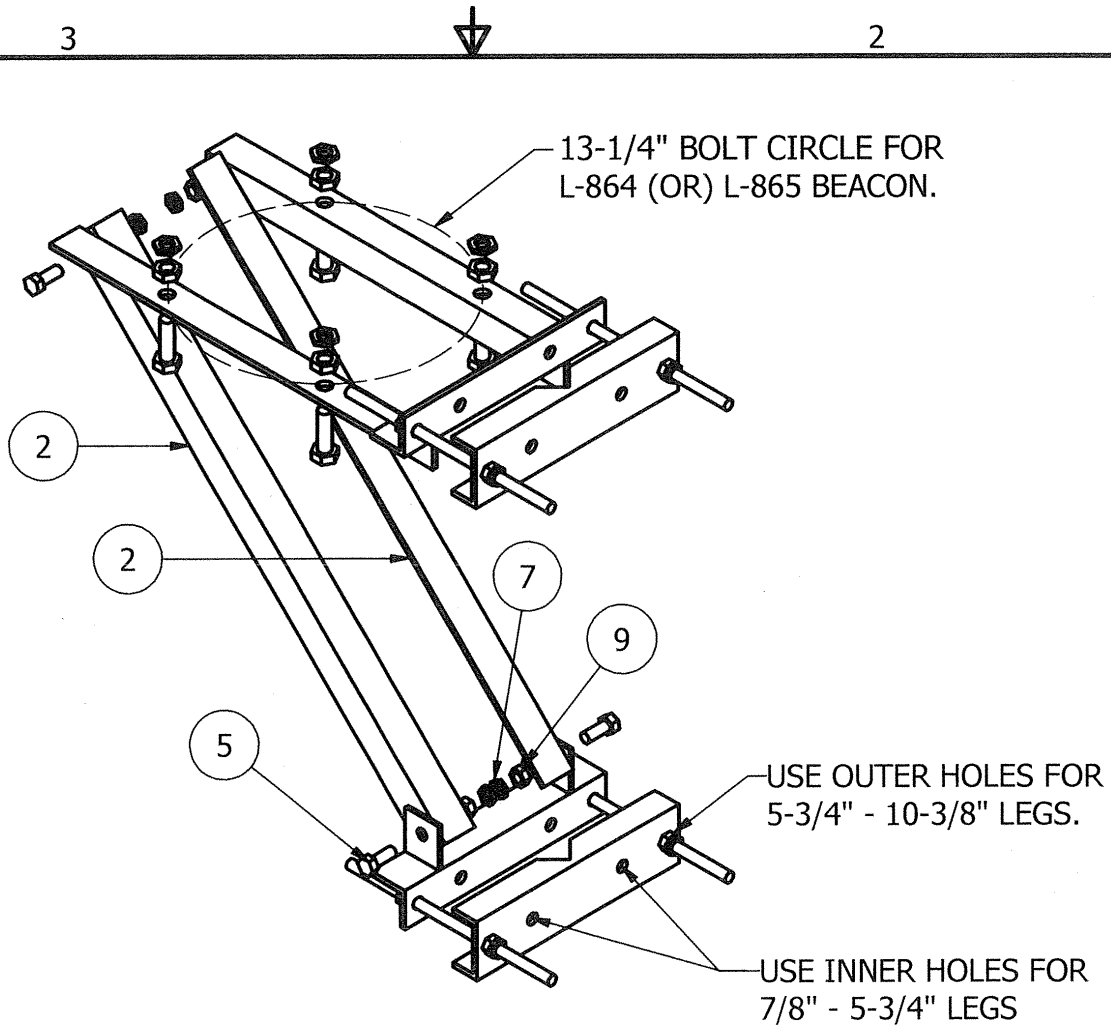
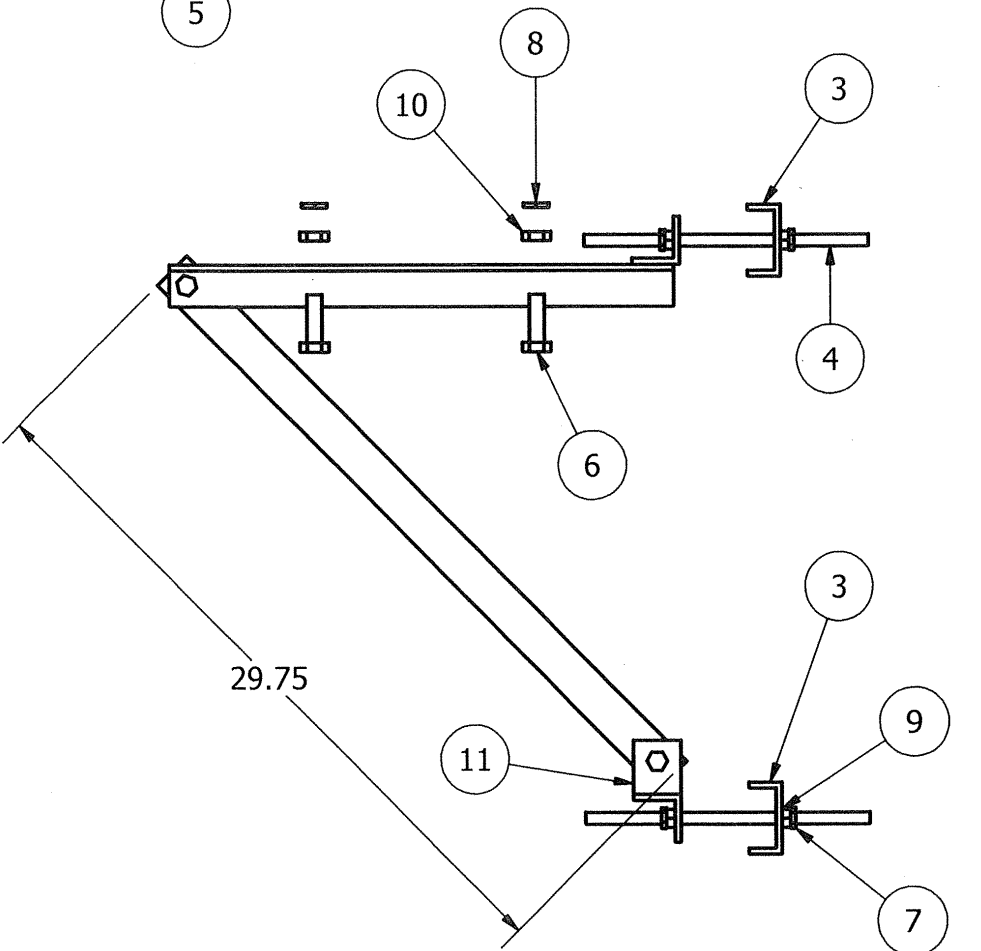
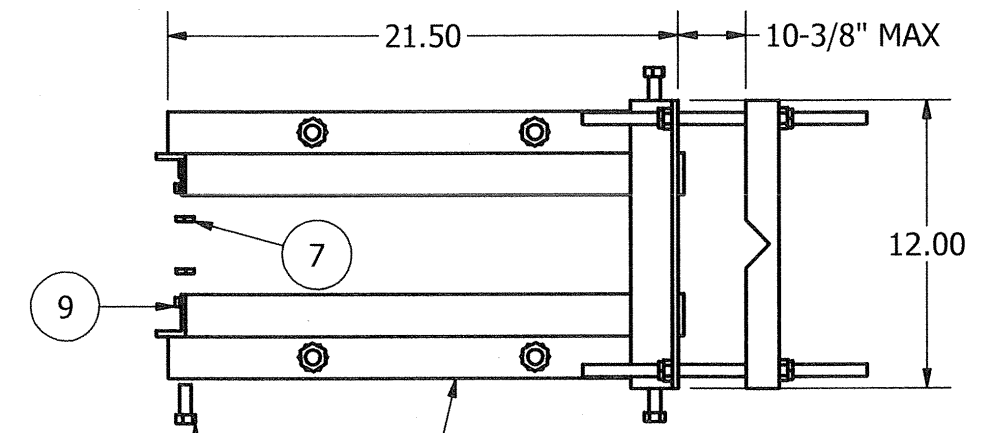
Parts List		
ITEM	QTY	PART NUMBER
1	1	10282TEL-7
2	2	10282TEL-5
3	2	10282TEL-6
4	4	1213X14AT
5	4	1213X114
6	4	5811X2
7	12	12PNUT
8	4	58PNUT
9	12	1213NUT
10	4	5811NUT
11	1	10282TEL-8

B

B

A

A



- NOTES:
1. ALL MATERIAL IS HOT DIPPED GALVANIZED.
 2. ALL HARDWARE IS GALV. ASTM A325 HOT DIPPED GALVANIZED.
 3. WEIGHT 50 LBS (22.68 kg)

UNIVERSAL BEACON SIDE MOUNT (7/8" TO 10-3/8" LEGS)			
PROD DEPT	 TWR Lighting, Inc. <i>Enlightened Technology®</i>		
SERV DEPT			
ENGINEER			
DRAWN BY	J.ZAMORANO	SHEET SIZE	B
DATE	06/17/2016	SCALE	N.T.S
		SHEET QTY.	1 OF 1
		DWG. NO.	10282TELSL
<small>The use of non-OEM parts or modifications to original equipment design will void the manufacturer warranty and could invalidate the assurance of complying with FAA requirements as published in Advisory Circular 150/S345-43.</small>			
<small>NOTICE: The drawings and photographic images contained herein are the sole property of TWR Lighting, Inc. All information contained herein that is not generally known shall be considered confidential except to the extent the information has been previously established. The drawings and photographic images contained herein may not be reproduced, copied or used as the basis for manufacture or sale or promotion or any other purpose without the expressed written permission of TWR Lighting, Inc.</small>			

4

3

2

1