



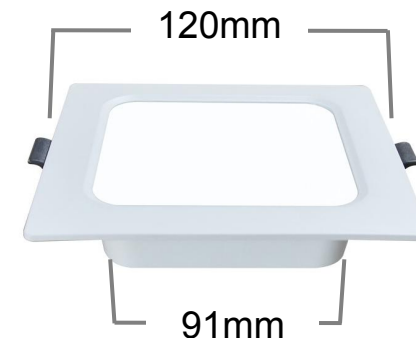
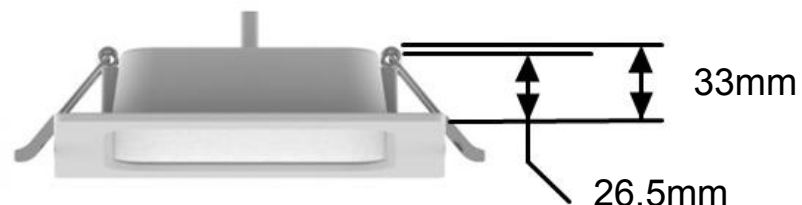
LED DOWNLIGHT

MODEL: EPI-DLS-6W

LED Downlight, Ideal for illumination and decoration at home and public areas.

OVERVIEW

- * High brightness with lifetime more than 25,000 hours.
- * New driver on board solution, cost effective.
- * Stable quality, fire-proof material.
- * Flicker-free, homogenous light.
- * Uniform light output, no yellowing, no dark zone.
- * Easy installation with fast connection.



PHYSICAL DATA	
Dimension	120*120*26.5 mm
Cutout Diameter	95-100 mm
Lamp N.W.	76.5 g
LED Chip PCB	Aluminum
Material	PP Plastic + PS Cover
Installation	Recessed

ELECTRICAL DATA	
Wattage	6W
Power Factor	PF>0.5
Voltage	110VAC
Driver	Flicker-free
Output Efficiency	>90%
Surge Protection	1KV />2.5KV

OPTICAL DATA	
Lumen Flux	>420LM
Lamp Efficacy	>70Lm/W
LEDs	SMD2835 (LM80)
CRI	>80
CCT	3000K /4000K /5000K /6500K
SDCM	<5
Beam Angle	120 Degree

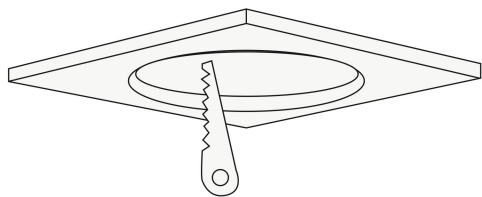
LIFE DATA & OPERATING DATA	
Lifetime of Lamp	>25,000 hours (L70)
Lumen Maintenance	>90% after 2000 hours
Warranty	2 Years
Working Temperature	-15°C+50°C
Recommend Install Height	<3M

APPLICATION

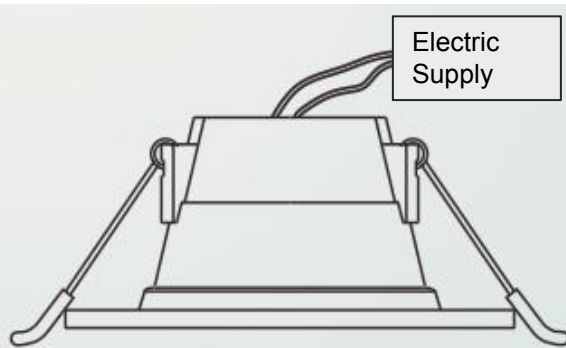
Lighting area like the home lighting-living room, corridor, bedroom or commercial lighting-shopping mall, restaurant, cafe etc.



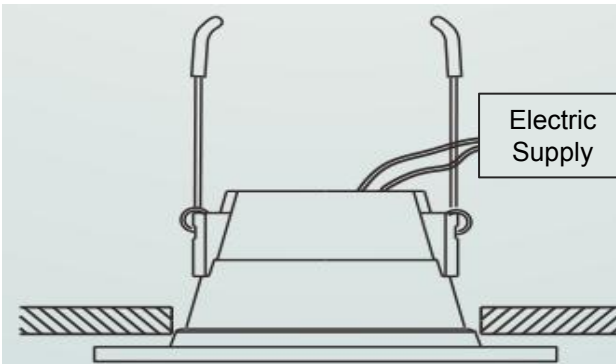
INSTALLATION



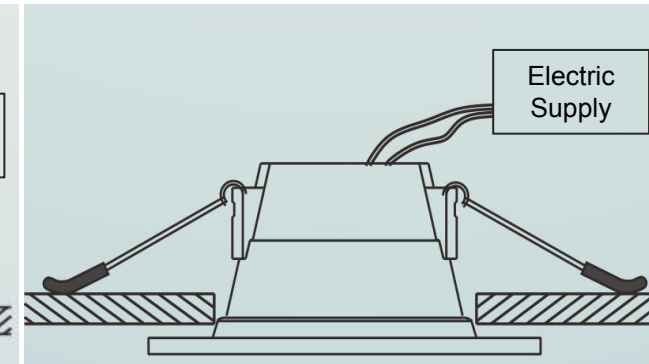
1 : Drill a hole on the ceiling



2: Connect to the power main line



3: Press the buckle, upward install the lamp into the ceiling



4: Fix the buckle and well finish the installation

PACKING

Watts	Lamp Size	QTY/CTN	Box Size	CTN Size	N.W./CTN	G.W./CTN	CBM
6W	120*120*26.5 MM	90 PCS	137*31*125 MM	58*42.5*27 CM	6.89 KG	9.20 KG	0.067