

LED LINEAR DOWNLIGHT

MODEL: EPI-DL6W

Precise and homogeneous illumination, high flexibility to any architectural lighting concept .

OVERVIEW

- * Innovative modern design, high-end flexible decorative lamps.
- * UGR<13, advanced anti-glare reflectors with beam angle 15 /30 /45 degree optional, available for variety applications.
- * Deep recessed, great light and high visual comfort, excellent lighting effect.
- * LM80 approved Osram LEDs with lifetime more than 50,000 hours.
- * Innovative die-casting aluminum radiator design, better heat dissipation performance.
- * Designed to meet recommend luminance requirements for precise lighting in commercial lighting like shopping mall, showcase etc.

PHYSICAL DATA	
Dimension	L105*W45*H50 mm
Hole Size	35*97 mm
Lamp N.W.	181 g
PCB Thermal Conductivity	1.0WMK
Material	Aluminum Profile + Reflector + Lens
Color	Black /White /Customized

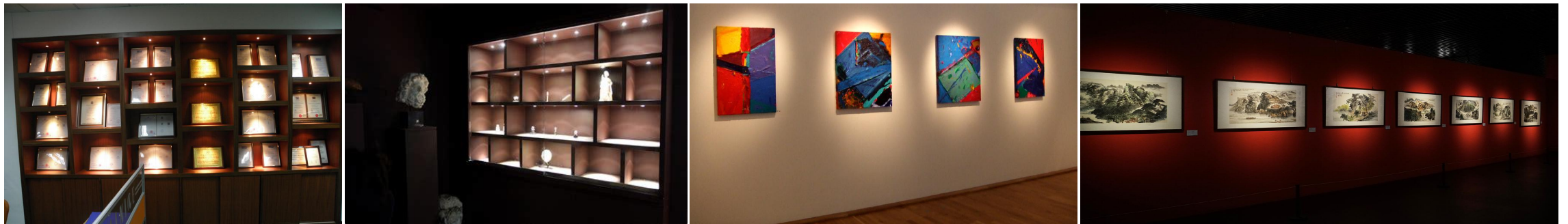
ELECTRICAL DATA	
Wattage	6W
Power Factor	PF>0.9
Voltage	110VAC
Driver	Flicker-free
Output Efficiency	>90%
Surge Protection	>2.5KV

OPTICAL DATA	
Lumen Flux	>420LM
Lamp Efficacy	>70Lm/W
LEDs	Osram (LM80)
CRI	>80 / >90
CCT	3000K /4000K /5000K /6500K
UGR	<13
Beam Angle	15 /30 /45 Degree

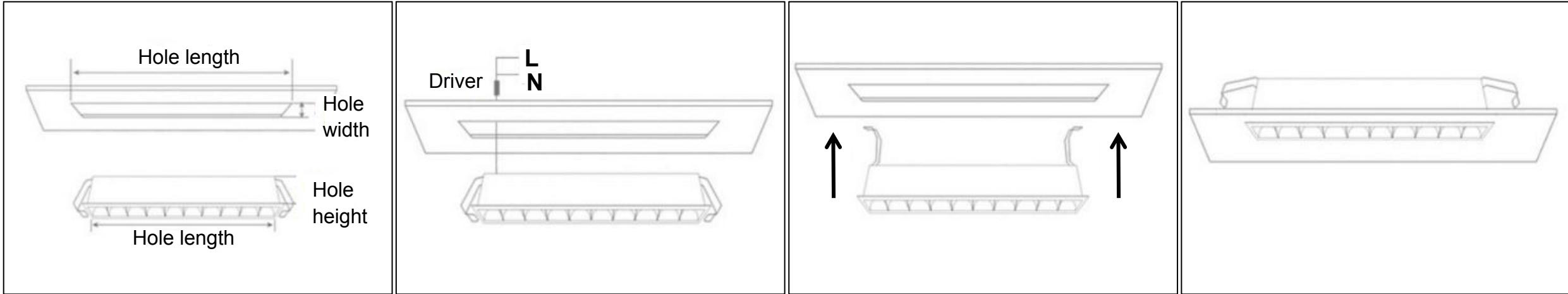
LIFE DATA & OPERATING DATA	
Lifetime of Lamp	>50,000 hours (L70)
Lumen Maintenance	Calculated L70 @25°C ambient in Hours>72000 H
Warranty	3 Years
Working Temperature	-15°C+50°C
Recommend Install Height	<3M

APPLICATION

Lighting area like the Residential lighting-home decoration, dinning room, hallway; Commercial lighting-shopping mall, Jewelry shop, hotel, club; Exhibition center lighting-museum, concert hall, art gallery etc.



INSTALLATION



1. Make sure the position, cut out the suitable hole size.
2. Connect the driver with the wire.
3. Push the buckle, put the lamp into the hole, upward install.
4. Finish the installation.

PACKING

Watts	Lamp Size	QTY/CTN	Box Size	CTN Size	N.W./CTN	G.W./CTN	CBM
6W	105*45*50 MM	50 PCS	75*60*130 MM	40*32*26 CM	9.06 KG	10.35 KG	0.033