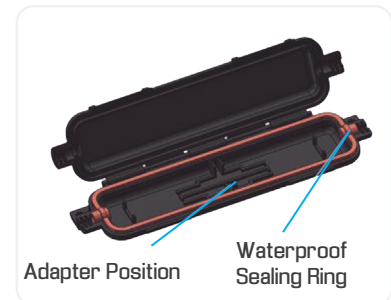
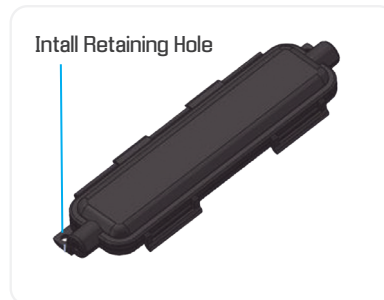




## Introduction

The equipment is used as a termination point for the feeder cable to connect with drop cable in FTTx communication network system. The fiber splicing, splitting, distribution can be done in this box, and meanwhile it provides solid protection and management for the FTTx network building.



## Application

1. Optical telecommunication system.
2. LAN, optical fiber communication system.
3. Optical fiber broadband access network.
4. FTTH access network.
5. Use indoor/outdoor to cable splice protect.

## Features

1. Fast connecting.
2. Material: High strength ABS, sturdy and durable.
3. IP Rate: IP65, Rubber sealing ring.
4. Small size, nice shape, convenient installation.
5. Satisfy for drop cable and normal cable.
6. Splice contact protection is stable & reliable, protect it from damage or broken by external force.

## Technical Specifications

Item	Technical parameters
Dimension(L×W×H)mm	160 x 46 x 17
Applicable Environment	Indoor or Outdoor
Installation	Wall mounting
Cable Type	FTTH cable
Operating temperature	-40° + 80°
Adapter type	SC & LC
Insertion Loss	≤0.2dB (1310 nm & 1550 nm)
Port of transmission	1 fiber
IP Rated	IP-65
Material	ABS