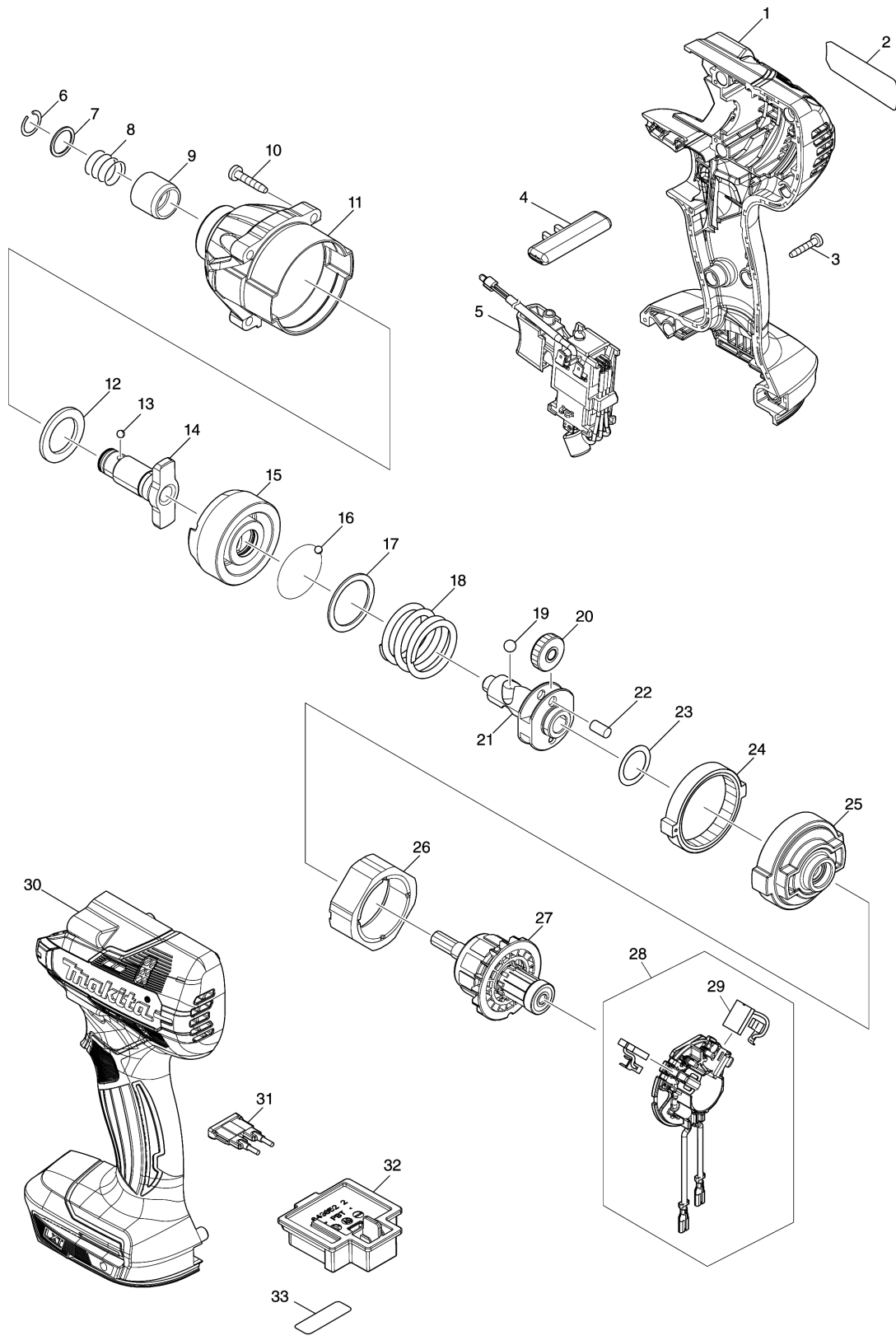


Model No.DTD156 CORDLESS IMPACT DRIVER



Model No.DTD156 CORDLESS IMPACT DRIVER

Pieza	Código	Descripción	Info	CTD.	New/Old	Opc. 1	Opc. 2	OBS.
001	183N31-9	HOUSING SET(AZUL)		1				
C10	252126-6	TUERCA DE SEGURIDAD P/DHP458,DTD153,DTD155,XFD11,DDF484, DTW285		2				
C20	263005-3	PERNO DE GOMA P/DDF484,DGA452,454,461,463,467,DSP601Z,DTM50		2				
D10		INC. 30						
002	856K77-7	DTD156 NAME PLATE		1				
003	266429-2	TORNILLO DE LA TAPA3X16		8				
004	452399-3	PALANCA DE CAMBIO		1				
005	632P56-7	INTERRUPTOR PARA DTD156		1				
006	231951-8	SEGURO		1				
007	267085-1	ARANDELA PLANA		1				
008	233005-7	RESORTE DE COMPRESION HELICOIDAL		1				
009	324420-7	MANGO P/6916FD, 6951		1				
010	266374-1	TORNILLO 4X25 P/HR2470,M9001,DTM50,DVC862L,DHR263		4				
011	140N57-4	HAMMER CASE COMPLETE		1				
012	261151-6	RONDANA DE NYLON		1				
013	216040-0	BOLA DE ACERO CALIBRADA		2				
014	326188-1	YUNQUE		1				
015	326644-1	HAMMER		1				
016	216040-0	BOLA DE ACERO CALIBRADA		24				
017	267175-0	ARANDELA PLANA P/6914D,DTD153, DTW285		1				
018	233430-2	RESORTE DE COMPRESION HELICOIDAL		1				
019	216041-8	BOLA DE ACERO		2				
020	227362-3	ENGRANE DE DIENTE RECTO		2				
021	326562-3	FLECHA		1				
022	256253-1	PERNO 5 P/6914DW		2				
023	253314-8	ARANDELA DE AJUSTE P/HR4000C		1				
024	227279-0	ENGRANE INTERNO P/DT02		1				
025	144952-6	INTERNAL GEAR CASE		1				
026	638396-5	CAMPO P/DTD152,BTD130FS		1				
027	619553-4	INDUCIDO PARA DTD156		1				
028	539241-6	BRUSH HOLDER ASS'Y		1				
C10	231696-8	RESORTE DE TORSION HELICOIDAL		1				
C20	231697-6	RESORTE DE TORSION HELICOIDAL		1				
D10		INC. 29						
029	198887-3	PORTA ESCOBILLA CB-5 P/DTD044Z,BTD044Z		1				
030	183N31-9	HOUSING SET(AZUL)		1				
C10	252126-6	TUERCA DE SEGURIDAD P/DHP458,DTD153,DTD155,XFD11,DDF484, DTW285		2				
C20	263005-3	PERNO DE GOMA P/DDF484,DGA452,454,461,463,467,DSP601Z,DTM50		2				
D10		INC. 1						
031	632P58-3	FUSE UNIT		1				

Please order the parts with part number.

Print Date
21/5/2021

Model No.DTD156 CORDLESS IMPACT DRIVER

Pieza	Código	Descripción	Info	CTD.	New/Old	Opc. 1	Opc. 2	OBS.
032	643852-2	CONECTOR P/LXFD01,DTM50		1				
033	856K82-4	DTD156 SERIAL NO. LABEL		1				
A01	346449-3	GANCHO P/LXDT04 P/BTS130Z, DTW285, DHP482		1				
A02	266622-8	TORNILLO M4X12		1				
A03B	***DC18SD	DC18SD BATTERY CHARGER		1				
D10		COMPO-PARTS						
A04B	196849-5	BATTERY BL1815N SET		2				
A05B	450128-8	CUBIERTA DE BATERIA P/DTD153,DDF484,483,DGA454,461,463,467		1				
A06B	141856-3	MALETIN DE PLASTICO(AZUL)		1				
C10	162302-3	SEGURO P/DTM50		2				
A08B	8005V3-6	DTD156SYE MODEL NO. LABEL		1				

Please order the parts with part number.

Print Date
21/5/2021