

Installation and Setup Guide

GENERAL INFORMATION

The 269SN Holdup Switch (Figure 1) is a finger-operated 2-wire V-Plex® polling loop device with point identification. The Holdup Switch is typically mounted under a counter for inconspicuous operation. When the switch is activated, the control panel sends a burglary alarm to the central station. The device comes standard as a latching type switch that is easily converted to a non-latching type.

If the switch is used as a latching type switch, the supplied reset key is used to reset the device. Additional reset keys may be obtained separately by ordering ADEMCO part number K4563V1.

SUPERVISION

While the system is armed, tamper/supervisory faults will report as alarms. While the system is disarmed, tamper/supervisory will always report as troubles.

PROGRAMMING

Refer to the Security System Control Panel Installation and Setup Guide for specific programming instructions.

Program the unit like any other zone, according to the alarm control's installation and setup guide. Enter the following information when prompted for in zone programming:

“ZONE TYPE” = “06” (24-HR Silent)

“INPUT TYPE” = “06” (SL – Serial Number Polling Loop Device)

MOUNTING

Refer to the steps and figures that follow for typical mounting installation.

1. If required, convert the latching device to a non-latching device as shown in Figure 2.
2. Run the wiring from the control panel to the device, through the opening in the case back as shown in Figure 3.
3. Wire the device as shown in Figure 4, observing correct polarity.

IMPORTANT! If the switch (or any other V-Plex® polling loop device) is located outside the building, you must use either shielded twisted-pair cable, or run the wiring in metal conduit. In either case, terminate the shield or conduit to earth ground at the panel.

4. Secure the cover to the case with two screws (No. 6 x 7/8) as shown in Figure 1. Be sure to use the correct holes. The holes opposite these are used to secure the device to the counter.

IMPORTANT: To prevent damage to the case, do not over tighten the cover screws.

5. Peel the backing from the double stick tape strips on the back of the device and position the device in its mounting location.

IMPORTANT: The double stick tape is provided to temporarily hold the assembly in place while drilling the pilot holes. The device must be permanently mounted with the screws supplied.

6. Using the case as a drill template, drill a 1/16" diameter pilot hole at the two case mounting holes (Figure 5).

7. Secure the assembled case with the protective cover to the counter with two screws (No. 6 x 1-3/4) supplied (Figure 5).

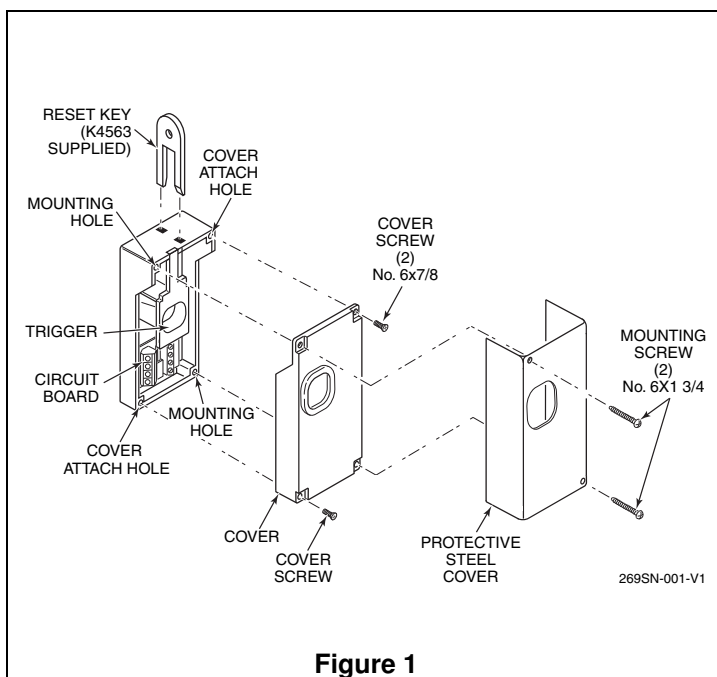
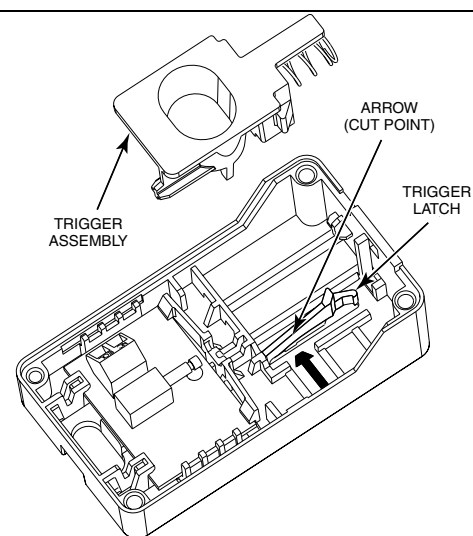
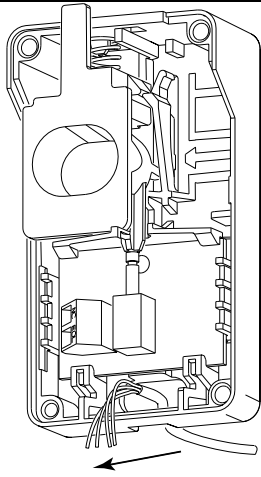


Figure 1



TO CONVERT TO MOMENTARY (NO LATCHING) SWITCH OPERATION, REMOVE THE TRIGGER ASSEMBLY FROM THE CASE. USING A PAIR OF CUTTERS, CUT THE TRIGGER LATCH AT THE POINT THE "ARROW" IS STAMPED ON THE CASE.

Figure 2



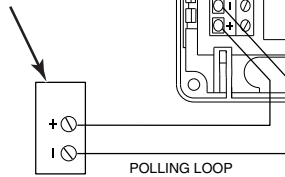
ROUTE THE WIRE THROUGH THE WIRE ENTRY HOLE. STRIP 6MM (.24 INCH) OFF THE WIRE ENDS.

269SN-004-V0

Figure 3

TERM. ASSIGNMENT
 1 (+) POLLING LOOP (+)
 2 (-) POLLING LOOP (-)

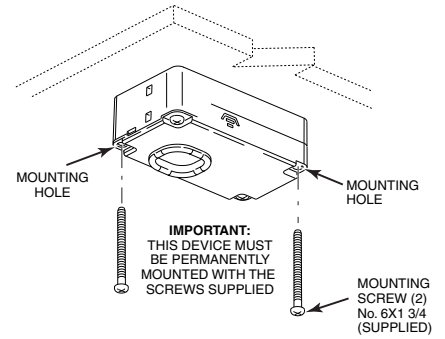
POLLING LOOP TERMINALS ON CONTROL



- ALWAYS OBSERVE POLARITY.
 - ALWAYS CONNECT IN PARALLEL.

269SN-002-V0

Figure 4



HOLDUP SWITCH SHOWN MOUNTED IN TYPICAL UNDER COUNTER APPLICATION

269SN-009-V1

Figure 5

TO THE INSTALLER

Regular maintenance and inspection (at least annually) by the installer and frequent testing by the user are vital to continuous satisfactory operation of any alarm system.

The installer should assume the responsibility of developing and offering a regular maintenance program to the user, as well as acquainting the user with the proper operation and limitations of the alarm system and its component parts. Recommendations must be included for a specific program of frequent testing (at least weekly) to ensure the system's operation at all times.

WARRANTY INFORMATION

For the latest warranty information, please go to:
www.resideo.com

SPECIFICATIONS

Physical

2"W x 3-1/2"H x 1/4"D
 (51mm x 89mm x 32mm)

Electrical

Multiplex Supply

1.0mA, MAX Current:

Operating Temperature:
Agency:

32 F to 122 F
 0 C to 50 C
 UL 636 – Holdup alarm units and systems

Reset Key:

Supplied, Part Number K4563 to order separately



resideo

2 Corporate Center Drive, Suite 100
 P.O. Box 9040, Melville, NY 11747
 © 2020 Resideo Technologies, Inc.

www.resideo.com



K0400V1D 4/03 Rev D