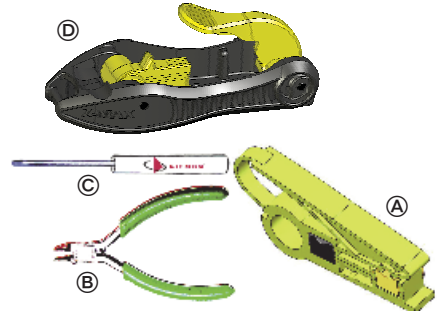
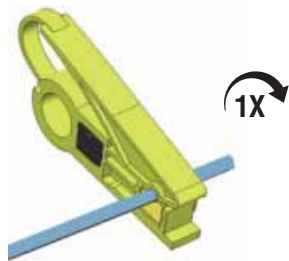


# UTP Z-MAX™ Module Installation Instructions

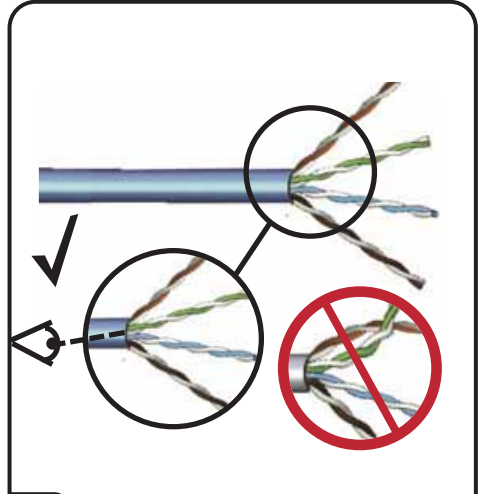
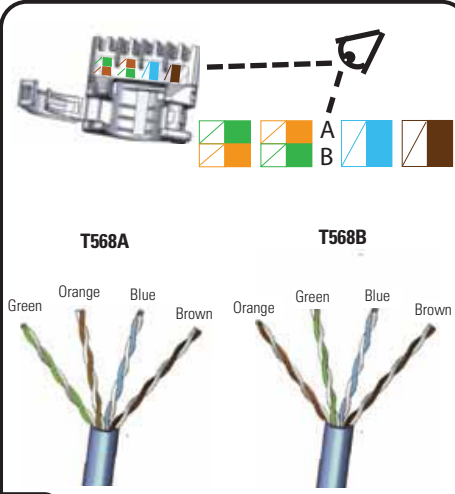
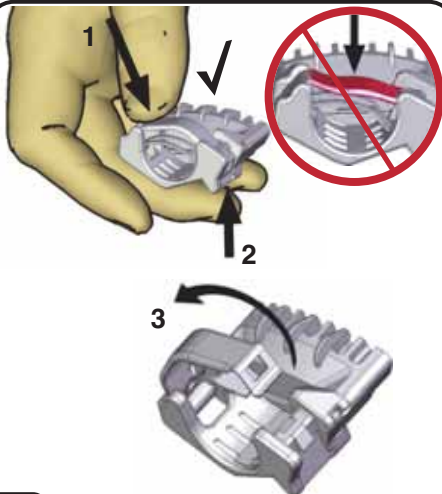
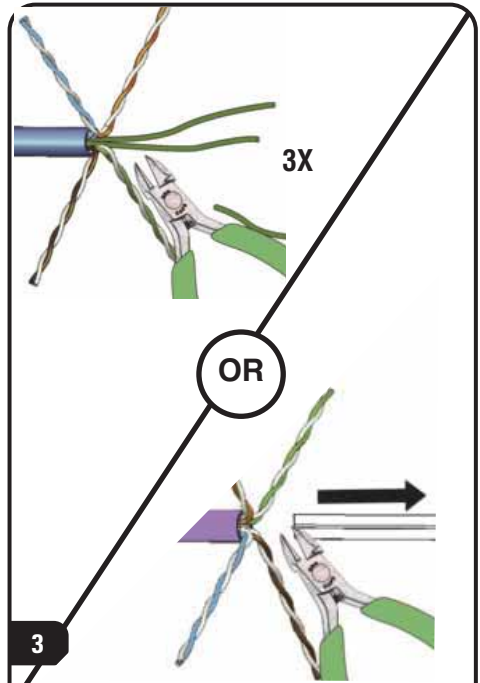
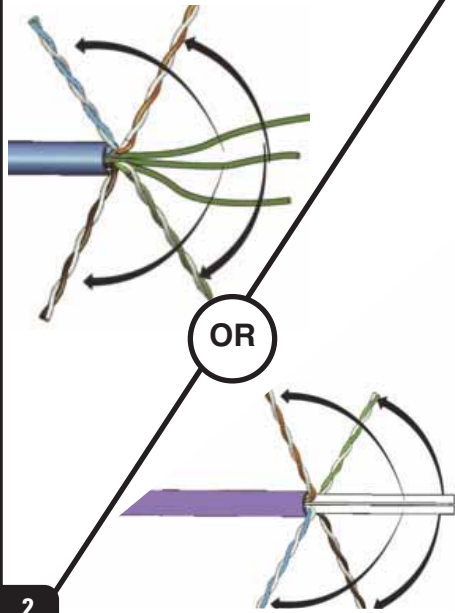


## Tools Required

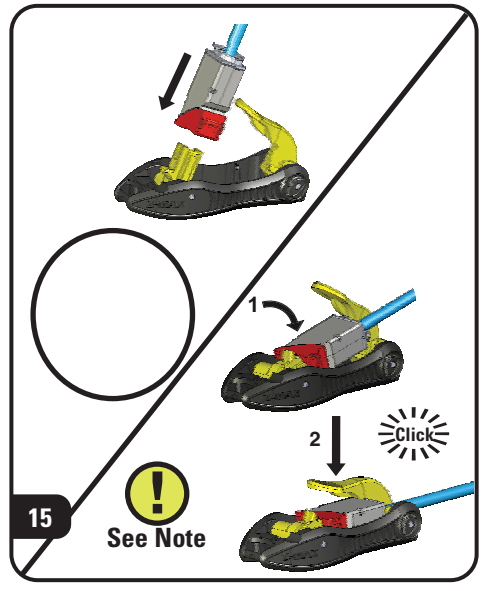
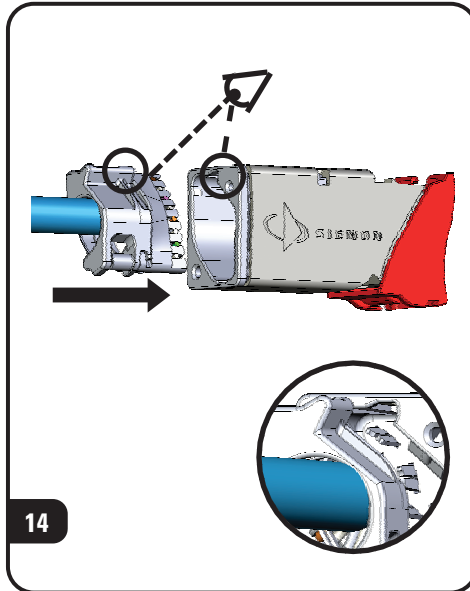
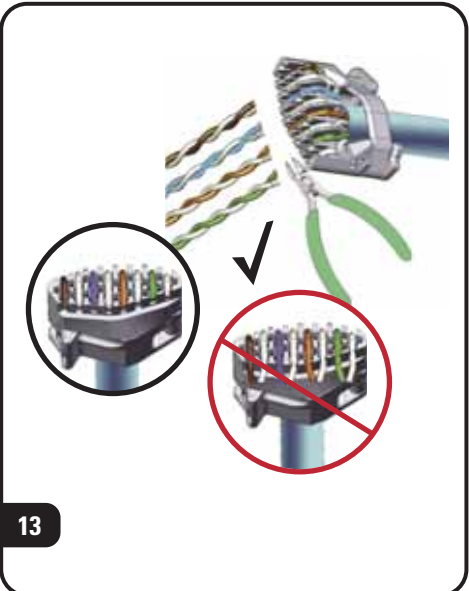
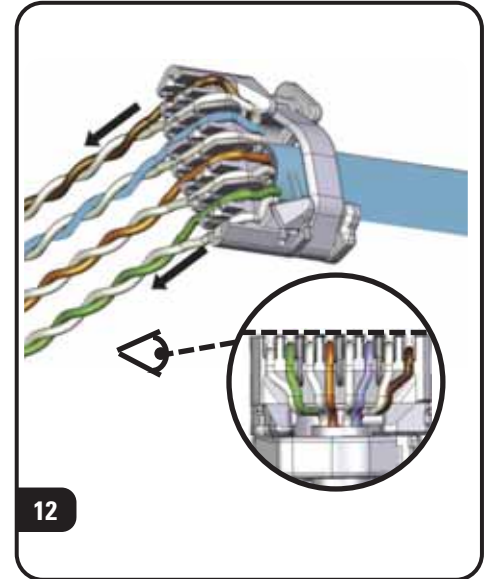
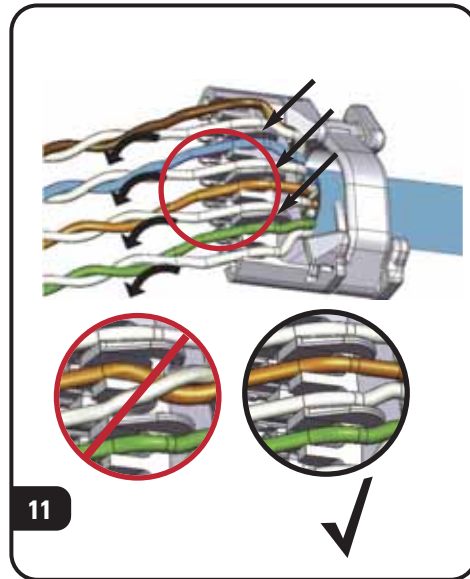
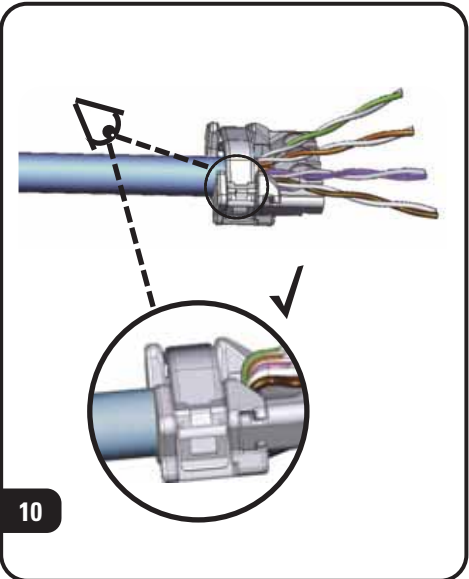
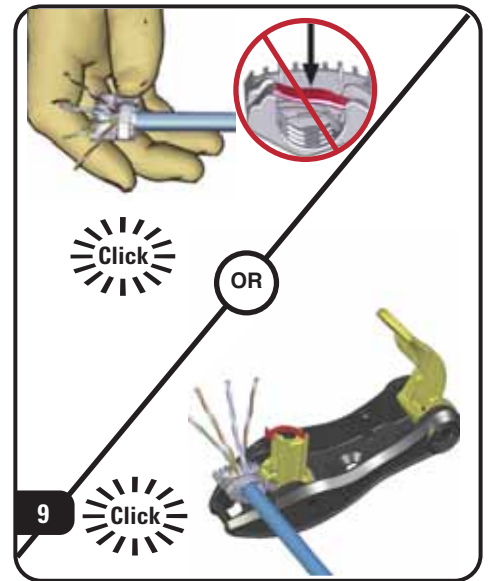
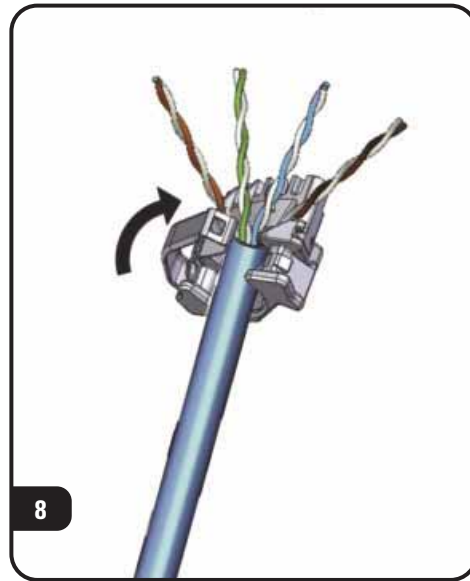
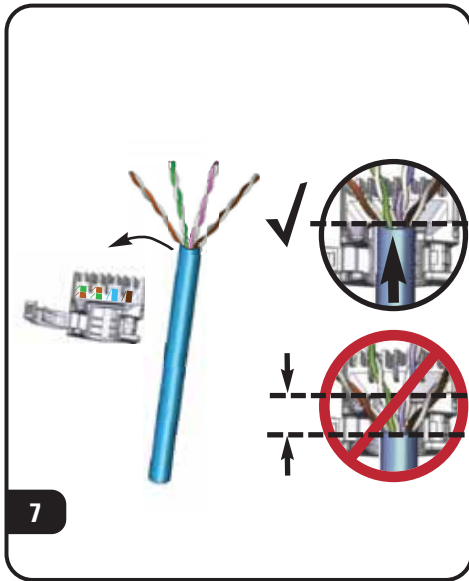
- (A) CPT-RGTP
- (B) Diagonal Cutter
- (C) Small Flathead Screwdriver
- (D) Z-Tool



**1** Solid Conductor Cable  $\geq 6.4\text{mm}$  (0.25in.) Shown - See back page for additional cable options

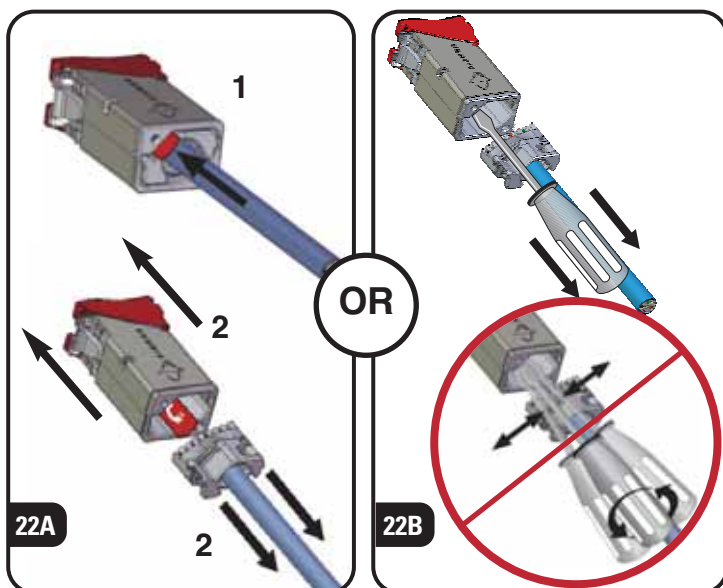
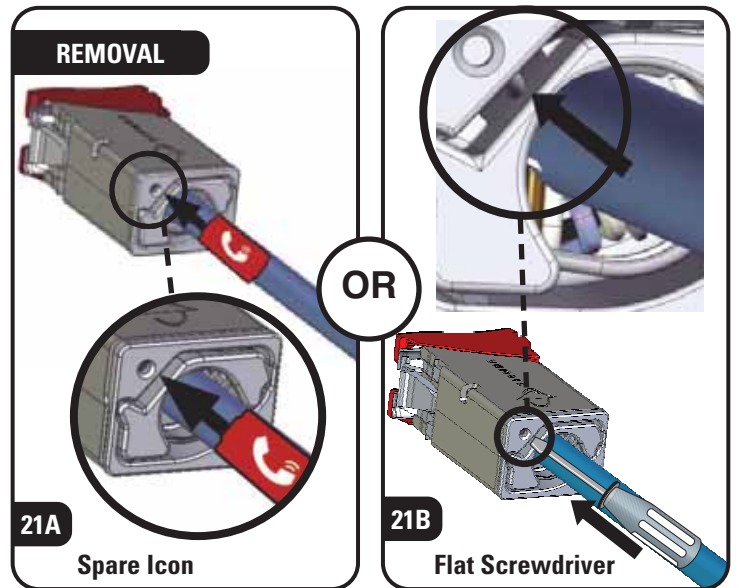
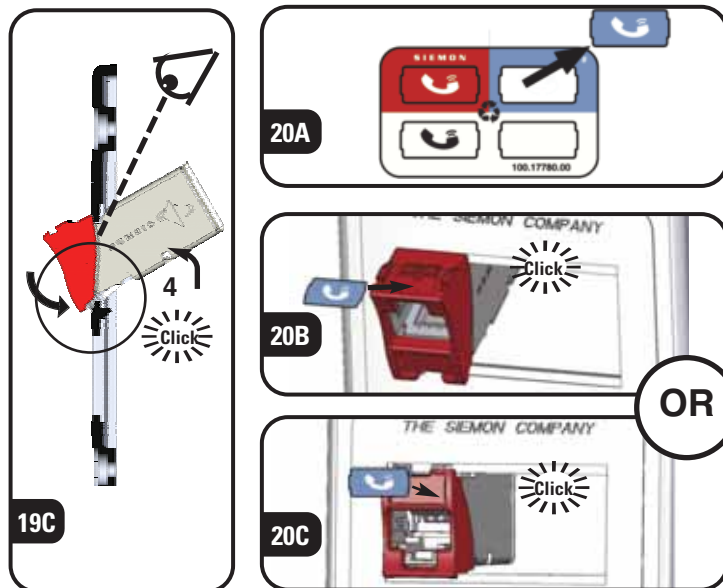
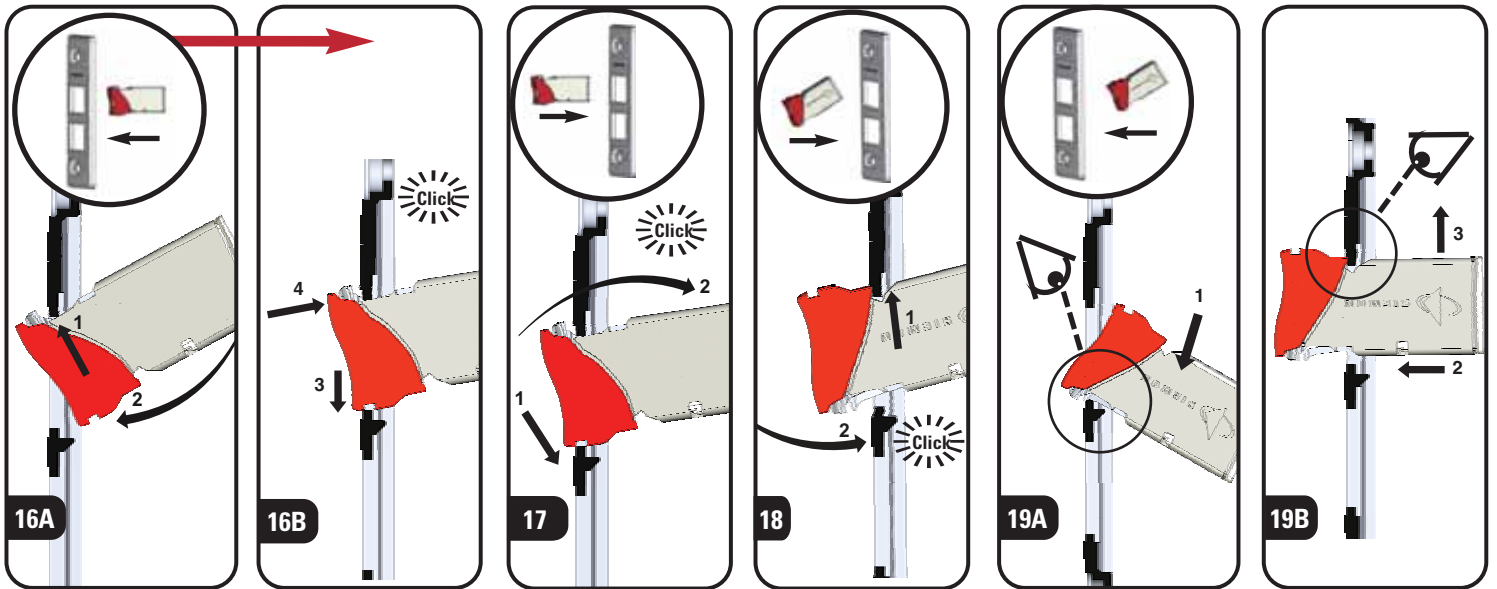


# UTP Z-MAX™ Module Installation Instructions

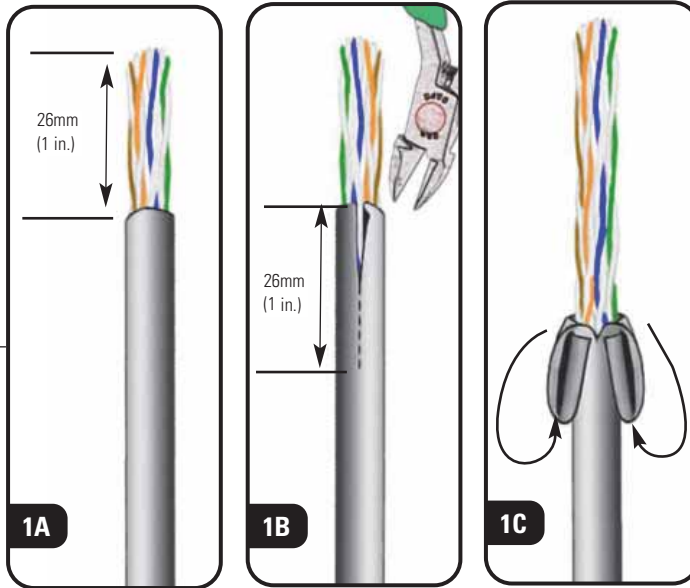


**NOTE (step 15):** Ensure proper seating of outlet. Fully depress lever in one motion. (ie. do not partially depress then lift lever to reseat outlet).

# UTP Z-MAX™ Module Installation Instructions



**UTP Stranded or solid conductor cable < 6.4mm (0.25 in)**



**NOTE** Alternate step 1. for smaller diameter cable

## SIEMON WORLD WIDE LOCATIONS

### THE AMERICAS

USA.....	(1) 866 474 1197
Canada.....	(1) 888 425 6165
Colombia -Latin America Main.....	(571) 657 1950
Argentina.....	(54) 11 5031 4061
Caribbean.....	(787) 461 4244
Brasil.....	(55) 11 3831 5552
Mexico.....	(52) 55 2881 0438
Peru.....	(511) 275 1292
Venezuela.....	(58) 212 661 6538

### EUROPE, MIDDLE EAST AND AFRICA

United Kingdom.....	(44) (0) 1932 571 771
Germany.....	(49) 2241 97398311
France.....	(33) 1 46 46 11 85
Italy.....	(39) 02 64 672 209
Middle East.....	(971) 506 441 470

### ASIA PACIFIC

Australia (Sydney).....	(61) 2 8977 7500
Australia (Brisbane).....	(61) 7 3012 9211
Australia (Melbourne).....	(61) 3 9866 5277
Australia (Perth).....	(61) 08 9288 1771
New Zealand.....	(64) 9 352 2030
Southeast Asia.....	(65) 6345 9119
China (Shanghai).....	(86) 21 5385 0303
China (Beijing).....	(86) 10 6659 8860
China (Guangzhou).....	(86) 20 3882 0055
China (Chengdu).....	(86) 28 6680 1100
India.....	(91) 40 6644 5566
Japan.....	(81) (3) 5798 5790

**To assist safe installations, comply with the following:**

- A. Use caution when installing or modifying telecommunications circuits.
- B. Never touch uninsulated wire terminals unless the circuit has been disconnected.
- C. Never install this device in a wet location.
- D. Never install wiring during a lightning storm.

**Lors de l'installation, respectez les consignes de sécurité suivantes:**

- A. Utiliser avec prudence lors de l'installation ou de la modification circuits de télécommunications.
- B. Ne jamais toucher les bornes de fil métallique non isolés sauf si le circuit a été débranché.
- C. Ne jamais installer cet appareil dans un endroit humide.
- D. Ne jamais installer pendant un orage.

To ensure you have the latest revision to this document, please visit: <http://www.siemon.com/us>

Visit our website at [www.siemon.com](http://www.siemon.com) for detailed global office contact information

