



Specifications

Short-Range IR Handheld Tester for Honeywell Analytics Model FS7 Series Electro-Optical Fire Detectors

Model FT-S7

Used for Testing FS7 Series Detectors

About this Document

Portable handheld Tester used for testing the response of Honeywell Analytics Model FS7 Series IR Fire Detectors within a short range of about one-foot. Powered by a rechargeable internal battery. Front facing with a 120 degree output pattern. (For a longer testing range up to 10 feet distance, use the FS-746 Handheld Test Lamp.)

Symbol Definitions

The following table lists those symbols used in this document to denote certain conditions.

Symbol	Definition
--------	------------



ATTENTION: Identifies information that requires special consideration.



TIP: Identifies advice or hints for the user, often in terms of performing a task.



REFERENCE-EXTERNAL: Identifies an additional source of information outside of this bookset.



REFERENCE-INTERNAL: Identifies an additional source of information within this bookset.

⚠CAUTION Indicates a situation which, if not avoided, may result in equipment or work (data) on the system being damaged or lost, or may result in the inability to properly operate the process.



CAUTION: Indicates a potentially hazardous situation which, if not avoided, may result in minor or moderate injury. It may also be used to alert against unsafe practices.

CAUTION: Symbol on the equipment refers the user to the product manual for additional information. The symbol appears next to required information in the manual.

FT-S7 Short-Range Handheld IR Tester

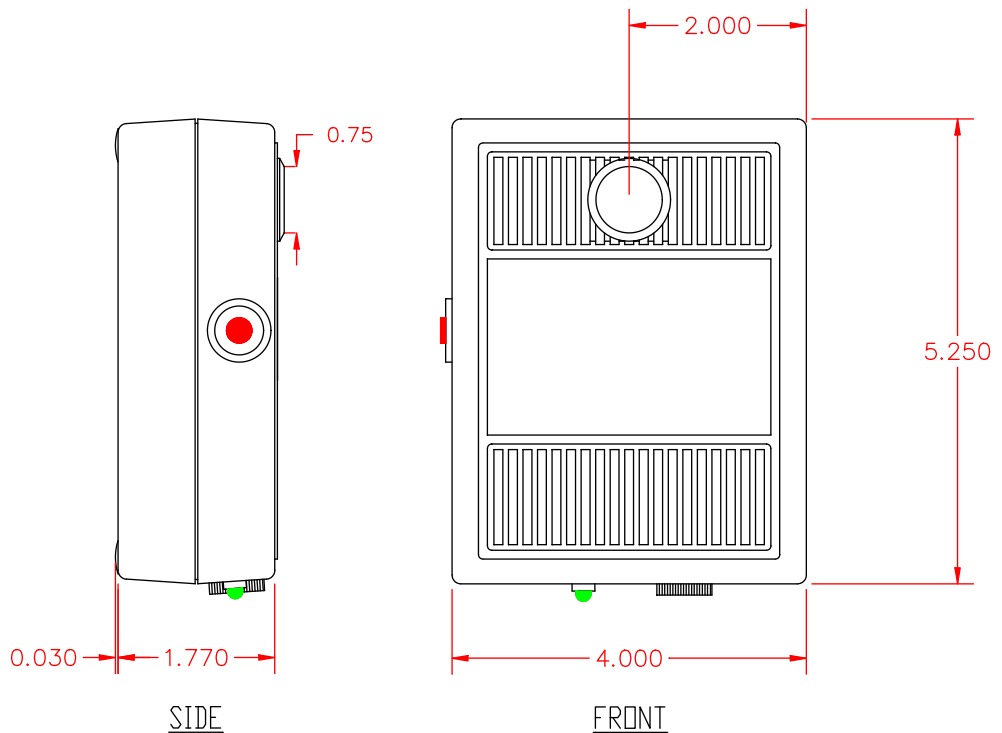
- **General Description:** Low power, handheld Tester for use in testing the response of Model FS7 Series Fire Detectors at a short range. The Tester is activated by pushing its push-button switch. The infrared (IR) source element simulates a small fire's radiant energy in the multi-spectral bands over a 120 degree hemispherical field-of-view (FOV).
- **Source Output Energy:** Simulates a small fire's radiant energy output in the multi-spectral bands.
- **Weight and Size:** About 1 pound with internal battery and 4 in. wide x 5.25 in. high x 1.75 in. deep
- **Housing:** NEMA 1 high impact white ABS material.
- **Temperature Range:** 32 to +130 degrees Fahrenheit (0 to +54 degrees Celsius) - minimum
- **Battery:** Internal rechargeable sealed lead-acid battery. Recharges with included AC charger.
- **Charging Indicators:** Built-in solid-state green LED light turns on.
- **Warranty:** One year from date of purchase.
- **Operation Instructions:**
 1. Position the Tester 1 to 1.5 feet from the face of the Detector to be tested. It must be within the Detector's 120 degree "cone of vision."
 2. Depress the push button power switch located on the side of the Tester.
 3. The FS7 series Detector should respond within 5 to 10 seconds. The Detector's green LED should turn on steadily.
 4. Release the Tester's push button.

- **Notes:**

1. **Battery Recharging** - If the Tester does not turn on, recharge the battery for a minimum of 12 hours for a full charge.
2. **FOV Reduction** - To reduce the TESTER source's radiated field-of-view (FOV) for selectively testing FS7 series fire detectors, secure a cylindrical tube (i.e., a paper towel cardboard tube cut to size) around the source elements. Lengthening the tube correspondingly reduces the source's radiated FOV.



NOTE: This specification subject to change without notice.



Contact Honeywell Analytics

Americas

Honeywell Analytics Inc.
 405 Barclay Blvd.
 Lincolnshire, Illinois
 USA 60069
 Email: detectgas@honeywell.com

Europe

Life Safety Distribution AG
 Javastrasse 2
 8604 Hegnau
 Switzerland
 Email: gasdetection@honeywell.com

Asia Pacific

Honeywell Analytics Asia Pacific Co., Ltd.
 #701 Kolon Science Valley (1)
 43 Digital-Ro 34-Gil, Guro-Gu
 Seoul, 152-729
 Korea
 Email: analytics.ap@honeywell.com

Internet

These Honeywell websites may be of interest to Industry Solution customers.

Honeywell Organization	URL
Corporate	www.honeywell.com
Honeywell Analytics	www.honeywellanalytics.com

Telephone

Contact us by telephone at these numbers.

Organization	Phone Number
Americas Honeywell Analytics Inc.	1-800-538-0363 1-800-321-6320
Europe Life Safety Distribution AG	{32-2} 728-2711
Asia Pacific Honeywell Analytics Asia Pacific Co., Ltd.	+82 2 6909 0321 VOIP: +8 5401 0321

Honeywell

1998M0954

Rev. A

2014-07

© 2014 Honeywell International Inc.