

50 Ohm Load Termination

Electrical Specifications

Frequency Band	DC - 1.0 GHz
Input Power (Max.)	100 W
Return Loss (Min.)	26 dB
Impedance (Nom.)	50 Ω
RF Connectors	N Male

Mechanical Specifications

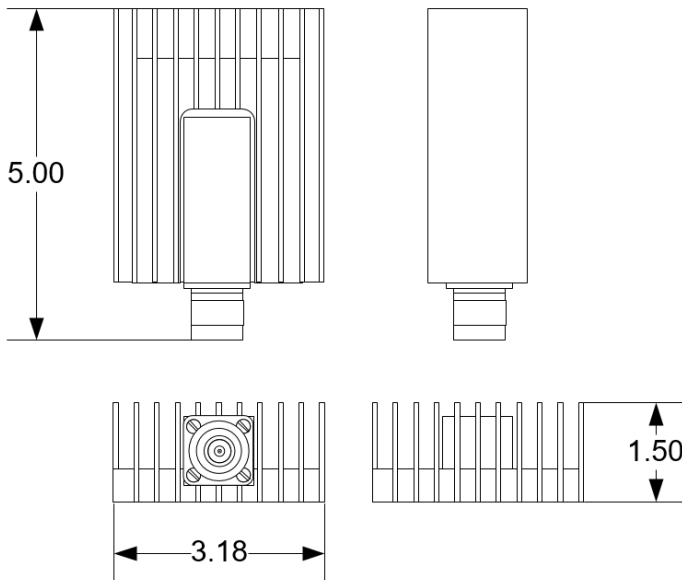
Finish	Black Anodized
Heat Sink	Aluminum
Overall Size (HxWxD)	1.5" x 2.75" x 5" (38 x 70 x 127 mm)
Net Weight	1.1 lbs (0.5 kg)
Ship Weight	2 lbs (0.9 kg)

Environmental Specifications

Operating Temp. Range	-30 to +60 °C
Storage Temp. Range	-40 to +100 °C
Operating Humidity Range	90% Non-condensing



EMR 50 Ohm RF load terminations are constructed out of aluminum finned heat sink, beryllium copper, nickel plated brass or stainless steel per application. Power ratings of 0.5W, 15W, 30W, 60W, 75W, 100W, 125W, 150W, 250W and 300W are available. Loads rated at 0.5 to 60 W are available in N-Type and BNC connectors, while loads rated from 75 to 300W are available in N Type, 7/16 DIN, C, Mini SMP, QMA, SMA, SMB, SMC, SMP and TNC connector types. Frequency ratings range from DC to 1 GHz and RF connectors are available in both male and female types.



Product Features

- Efficient 50-ohm matching in all applications.
- 26 dB return loss up to 1 GHz.
- Ample surface area for heat dissipation.