

FX300-3-3022SS-1
Vertical Straight Traffic Signal Light



- Traffic signal light adopts four-element LED as the light-emitting component. It is equipped with red, yellow, and green light-emitting units powered independently.
- The housing material adopts PC and ABS. The light housing surface adopts matte craft.

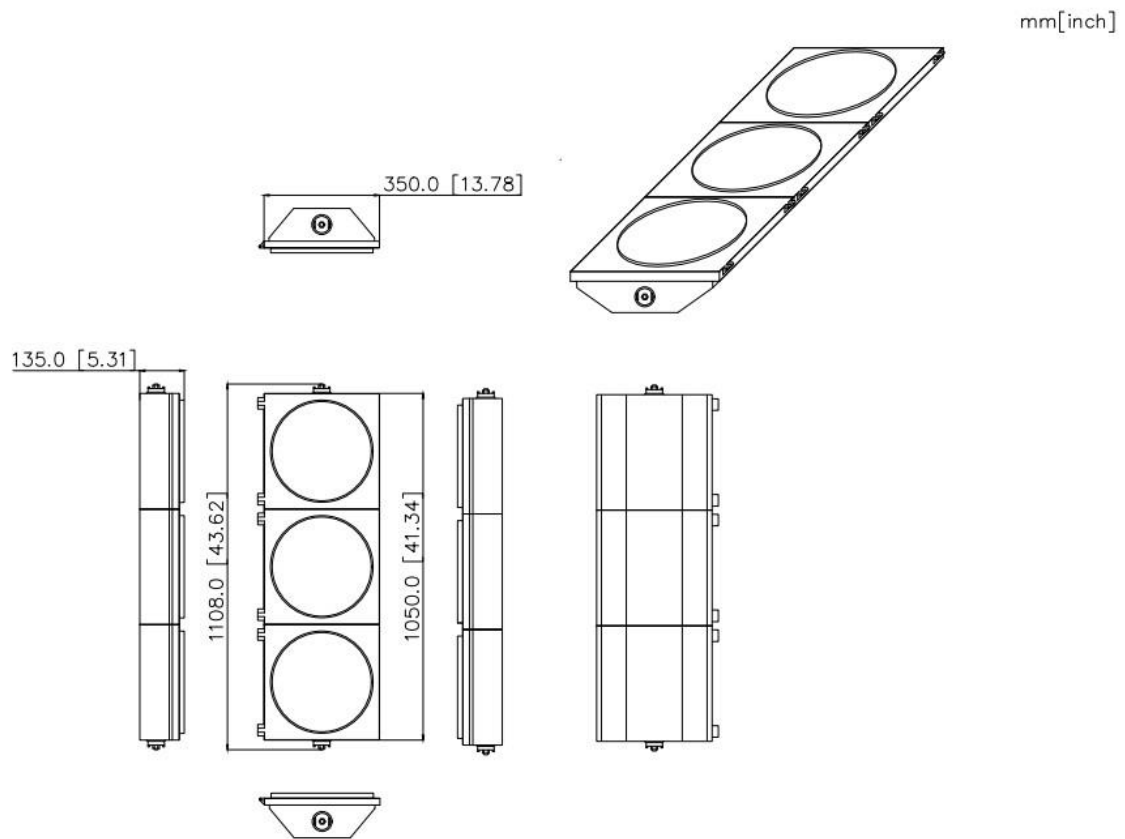
▪ Specification

General	
Working Voltage	AC 176 V to 265 V, 50±3 HZ
Rated Power	≤ 15 W
Working Temperature	-40 °C to +80 °C (-40 °F to 176 °F)
Working Humidity	10% to 95%
Storage Environment	0 °C to 50 °C (32 °F to 122 °F), 40% to 60% RH
Insulation Resistance	≥ 500 MΩ
Dielectric Strength	≥ 1500 V
Transformer	AC 24 V
Access Interface	AC 220 V L (Red, Yellow, Green) and N
Single-Tube Current	≤ 20 mA
Protection	IP53
Weight	≤ 20 kg (44.09 lb.)
Appearance and Material	
Shield Diameter	Φ 300 mm
Shield Material	PC
Housing Material	PC + ABS (Plastic) Surface Treatment Black
Traffic Signal Light Pattern	Straight Arrow
Shade Dimension	770 × 250
Shade Material	Galvanized Steel Sheet
LED	
LED Diameter	Φ 5 mm
Number of LED	Red 101, Yellow 101, Green 69
LED Wave Length	Red: 4500 mcd to 7200mcd / 625±5 nm Yellow: 4500 mcd to 7200mcd / 592±3 nm Green: 6000 mcd to 10800mcd / 506±3 nm
Central Brightness	5000 cd/m ² to 15000cd/m ²
LED Visual Angle	≥ 30°
LED Visual Distance	≥ 400 m
LED Service Life	≥ 100,000 Hrs

▪ **Available Model**

FX300-3-3022SS-1

▪ **Dimension**



Headquarters

No.555 Qianmo Road, Binjiang District,
Hangzhou 310051, China
T +86-571-8807-5998
www.hikvision.com



Follow us on social media to get the latest product and solution information.

