

DS-MP1300
7-inch HD LCD

- Supports 7-inch TFT LCD screen for live view and operation
- Real-time live view of the rear-view camera when the vehicle is backing off and other connected camera
- Support 3-ch video input including one channel connecting to the mobile DVR, one channel connecting to the rear-view camera and one reserved channel connecting to the other camera
- Support 2-ch alarm input

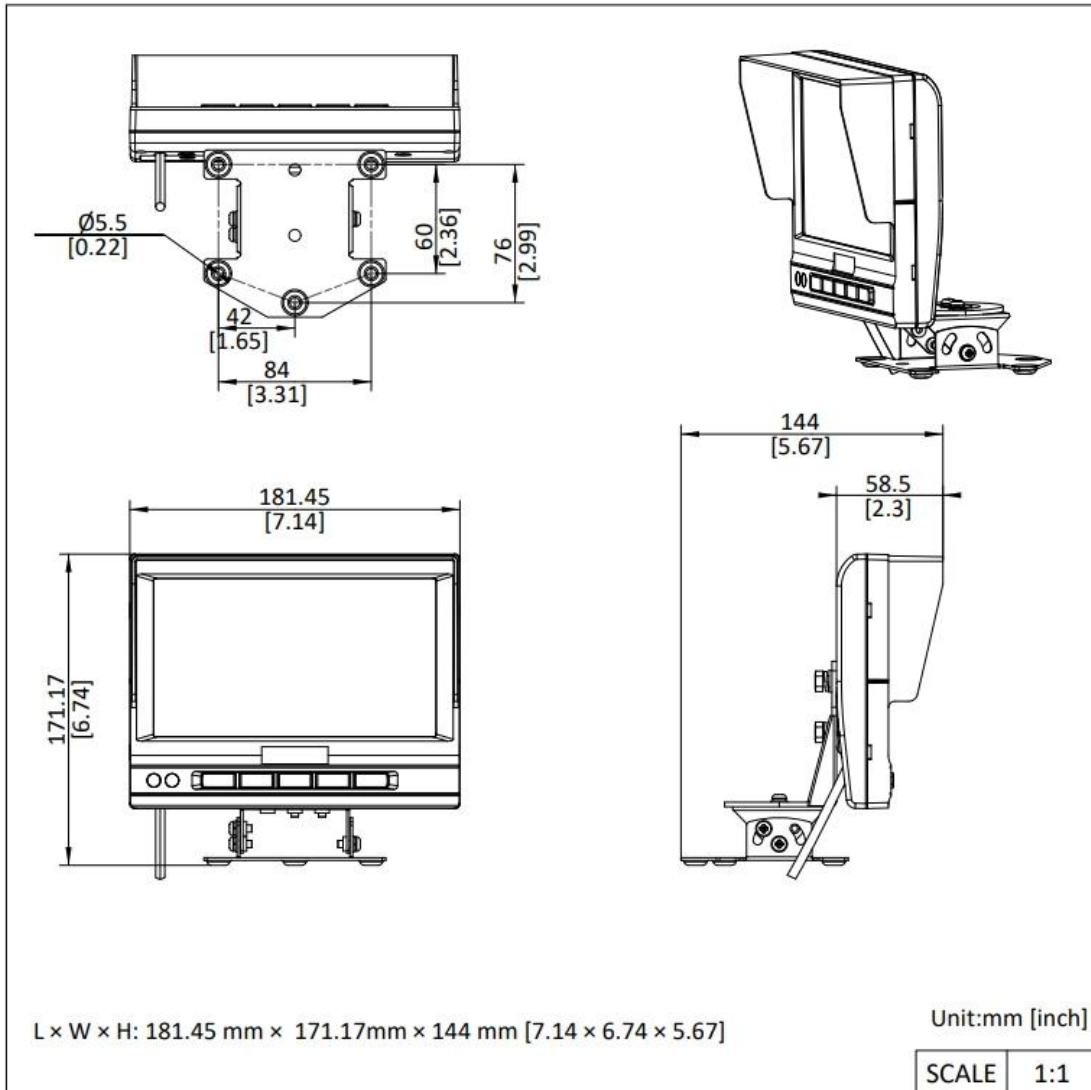
▪ Specification

Screen	
Size	7" TFT-LCD
Resolution	800 × 480 RGB
Backlight	LED
Brightness	Adjustable
Visual Angle	130°
System	PAL/NTSC
Display Mode	Mode 1: Manual switch ,Mode 2: Auto switch
Interface	
Alarm Input	2-ch
Mobile Video Recorder Video Output	1-ch. Four-pin aviation male plug, connecting to the mobile DVR.
Rear-View Camera Video Input	1-ch. Four-pin aviation male plug, connecting to the rear-view camera.
Other Camera Video Input	1-ch (reserved). Four-pin aviation male plug, connecting to the other camera.
General	
Mounting Mode	Embedded mounting;Bracket mounting
Storage Condition	-20 °C to 70 °C (-4 °F to 158 °F). Humidity 95% or less (non-condensing)
Operating Condition	-20 °C to 70 °C (-4 °F to 158 °F). Humidity: 95% or less (non-condensing)
Working Voltage	12 VDC, 0.5 A
Physical Buttons	5 Buttons: M (Short press to switch and long press to pop up the menu.); ▲ (Volume up); ▼ (Volume down); OK; Power switch
Erase Cycles	3000 times

▪ Available Model

DS-MP1300

▪ Dimension



See Far, Go Further



www.hikvision.com
support@hikvision.com

