

RELIABLE POWER DISTRIBUTION WITH OUTLET CONTROL AND CONFIGURABLE COLOR LCD

Provides reliable power distribution with color configurable LCD display featuring real-time remote/local monitoring and outlet control for connected equipment

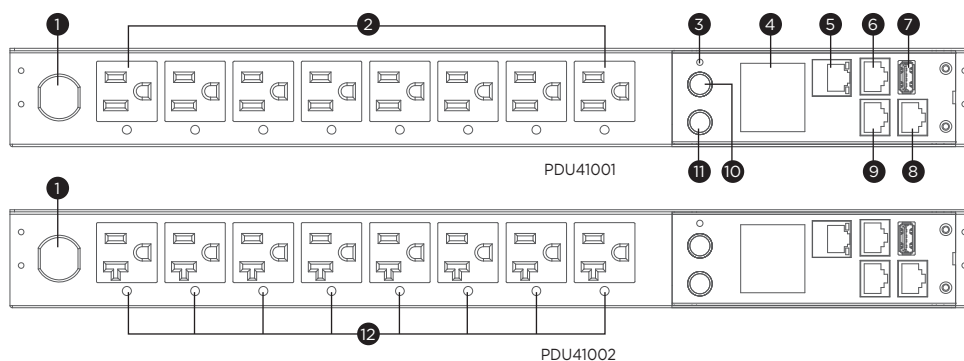
Ideal for server room and IT applications, the Switched PDU Series is a power distribution device that delivers electricity from a single source to multiple devices. The PDUs feature individual outlet control, which allows for immediate on/off, remote reboots, scheduled on/off, and more. The PDUs are built-in with Ethernet module, which works with PowerPanel® Power Management Software for real-time monitoring. The products can achieve $\pm 1\%$ measurement accuracy, and also feature ultra-low power consumption, configurable color LCD, external site ground pin, industrial-grade metal housing, adjustable mounting brackets, long input power cord, and cord retention tray.

SERIES FEATURES

- Real-Time Local/Remote Monitoring and Switching of Individual Outlet
- Controllable Receptacles with Power Sequencing
- Work under High Temperature
- Industrial-grade Metal Housing
- Digital Real-time Load Display
- User Configurable Color LCD
- Hot-swappable LCD Design
- Rotatable LCD for Proper Display Orientation
- LED Status Indicator
- Firmware Upgrade via USB
- Support ENVIROSENSOR
- User-upgradeable Firmware
- PowerPanel® Management Software
- Adjustable Mounting Brackets
- Cord Retention Tray

PRODUCT CALLOUTS

- 1 . AC Inlet
- 2 . AC Outlets
- 3 . Status Indicator
- 4 . LCD Display Panel
- 5 . Ethernet Port
- 6 . ENVIROSENSOR/Daisy Chain (In) Port
- 7 . USB Port
- 8 . Serial Port
- 9 . Daisy Chain (Out) Port
- 10 . Select Button
- 11 . Enter Button
- 12 . Outlet Indicator





TECHNICAL SPECIFICATIONS

Model Name	PDU41001	PDU41002
Input		
Nominal Input Voltage (Vac)	100 - 120	
Input Frequency (Hz)	50 / 60	
Maximum Input Current (A)	12	16
Input Connector Type	NEMA 5-15P x 1	NEMA (L)5-20P x 1
Power Cord Length (m.)	3.65	
Output		
Outlets - # of Bank(s) (Bank)	1	
Outlet(s) - Total	8	
Outlet(s) - Front	8	
Outlet Type	NEMA 5-15R x 8	NEMA 5-20R x 8
Management & Communications		
LCD Information Display	Input Voltage (Volts), Input Frequency (Hz), Current Level (Amps), Power Consumption (Kilowatts), Network Information, Serial Number, Environment Status, Hardware Version, Firmware Version	
LED Indicators	PDU Status, Tx/Rx, Link, Outlet	
A-type USB Port	Yes	
Connectivity Port	RJ45 , RJ45 (for Serial), RJ45 (for ENVIROSENSOR/Daisy Chain (In)), RJ45 (for Daisy Chain (Out))	
Environmental Sensor Supported	Yes	
Power Management Software	PowerPanel® Business (Recommended for small-medium scale management), PowerPanel® Enterprise (Recommended for large scale management)	
Supported Protocols	IPv4/v6, SNMPv1/v3, HTTP/HTTPS, TCP/IP, UDP, DHCP, NTP, DNS, SMTP, SSH, SSL, TLS, Telnet, FTP, and Syslog	
Authentication	RADIUS, LDAP, LDAPS, Windows AD	
Physical		
Installed Rack Height (U)	1	
Cord Retention Tray	Yes	
Physical Size		
Dimensions (WxHxD) (mm.)	433 x 44 x 112	
Weight (kg.)	2.6	2.9
Environmental		
Operating Temperature (°C)	0 - 55	
Operating Relative Humidity (Non-condensing) (%)	0 - 95	
Certifications		
Certifications*	FCC Class A, UL60950	
Cisco Compatibility	Yes	
RoHS	Yes	

*Certifications may vary according to different regions. Visit www.cyberpower.com for more information.
 #All specifications are subject to change without notice.