

CS-DL50FVS

Face & Palm Vein Recognition Smart Lock



Introduction

DL50FVS Plus is a smart lock that integrates multiple unlocking methods such as face & palm vein recognition, fingerprints, passwords, mechanical keys and remote unlocking. It supports stand-alone mode, Bluetooth mode, and Wi-Fi mode for use.

DL50FVS Plus support networking related functions, such as user management, Bluetooth keys management, remote unlocking, temporary passwords, real-time message reminders, etc. .

Main Features



Multiple Unlocking Methods



App Remote Control



Smart Door View



4 inch Color Screen



Video Calling



Anti-Peeping Codes



Anti-Tamper Alarm

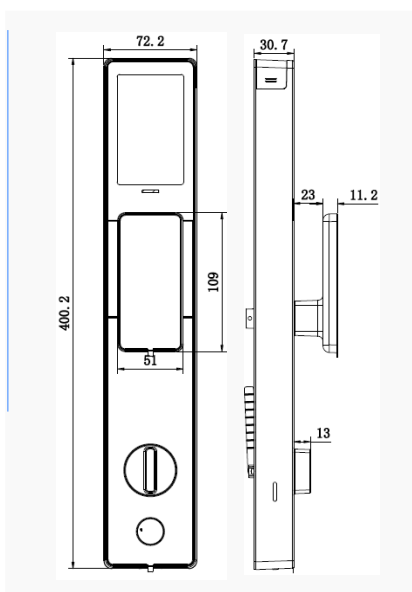


5000mAh Rechargeable Lithium Battery

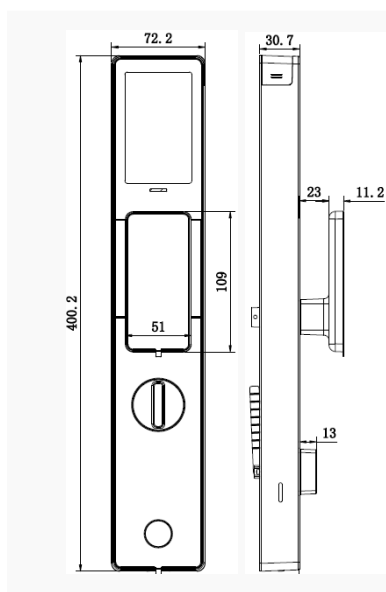


Emergency Power Supply

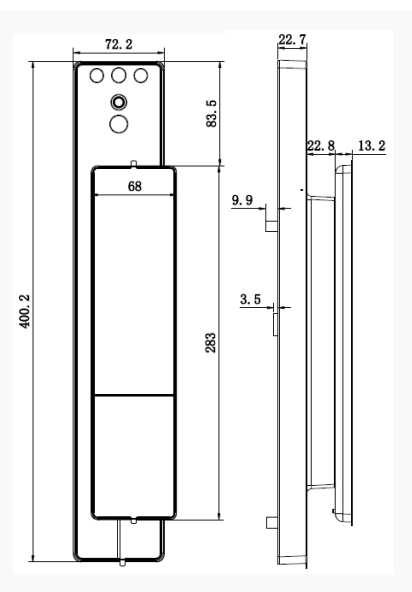
Dimensions



Rear panel for 6068



Rear panel for 5085



Front panel

Specification

Model	CS-DL50FVS Plus
Material and Specification	
Panel Material	Aluminum alloy
Panel Size	Front panel:400 x 72 x 22.5mm, Rear panel 400 x 72 x 30.5mm
Color	Metallic Grey
Lock Body Type	Automatic Mechanical Detection lock body 5085 / 6068
Lock Cylinder	C-level cylinder
Emergency Charging	Type-C
Working Power	5000mAh rechargeable Lithium batteries
Technical Specification	
Unlocking method	Face ID, Palm Vein, Fingerprint, Passcode, Mechanical key, Bluetooth Key via EZVIZ App, Temporary codes, Remote unlock
User Capacity	50 pcs
Fingerprint Capacity	50 pcs
Passcode Capacity	50 sets
Face ID	50 pcs
Palm Vein	50 pcs
Communication Methods	2.4GHz Wi-Fi, Bluetooth
Screen (not touch)	IPS\4 inch\480*800
IP Grade	IP52
Front Panel Camera Resolution	1080*1656
Front Panel Camera Lens	view angle:70° (Horizontal), 105° (Vertical), 132°(Diagonal) 1080*1656;
IR Night Vision Distance	2m,
Storage	EMMC 8G, Support EZVIZ Cloud
Face Recognition	Standing Distance < 1m, Height Greater than 1.2m and less than 2m Recognition speed ≤ 1s, supports day/night recognition, supports changing hairstyle and wearing glasses recognition <small>* EZVIZ laboratory data</small>
Palm Vein Recognition	The palm is facing the sensor at a distance of 15~25cm, and the palm can be recognized <small>* EZVIZ laboratory data</small>
Software Function	Anti-Peeping Code \Low battery warning \Privacy Mod\User management\Real time notification\Anti-test locking\Anti-tamper alarm\ Remote Control\Video Calling\Change Voice\Wandering Detection
Voice Control	Support (Google assistant / Alexa (OTA))
Supported Door Thickness	6068: 40-120mm 5085: :40-100mm
Working temperature	-10°C~55°C
Operating humidity	10%~95%