

AC Air Source Treatment Unit

Filter+Regulator+Lubricator



Specification:

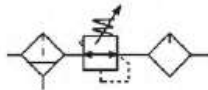
Type	AC100A-01, 02	AC100A-02, 03	AC100A-03, 04	AC500A-05, 06	AC000A-05, 06
Portsize(G)	1/8" - 1/4"	1/4" - 3/8"	3/8" - 1/2"	3/4" - 1"	3/4" - 1"
Gaugethread(G)	1/8"				
Fluid	Compressed air				
Operating pressure range(MPa)	0.15 ~ 0.85				
Max. Flow rate(L/min)	1000	2000	3500	5000	
Ambient temperature(°C)	-10 ~ 60				
Filter precision	5µm or 40µm				
Oil recommended	ISO VG32				
Cup material	Polycarbonate				
Structure	Overflow type				
Optional	Guard cup	-	•	•	•
Bracket	20T	30T	40T	50T	50T

Note1 : The guard cup of AC200A series can be optional. Note2 : Metal cups are optional.



New AC

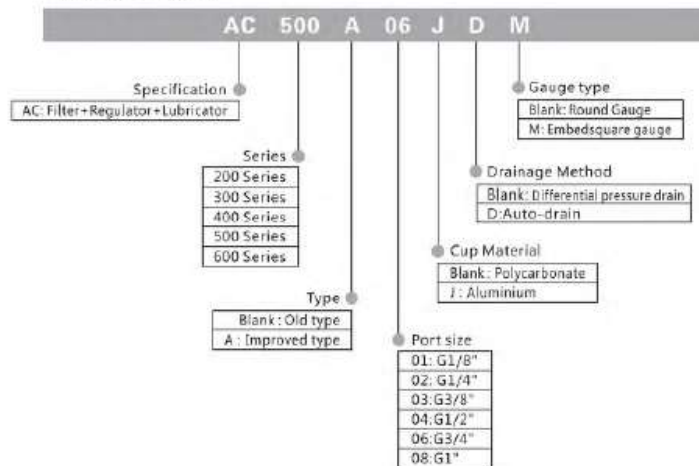
Symbol:



Product feature:

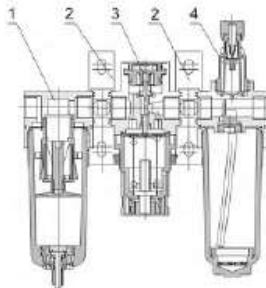
1. Oil dripping adopts the clearance seal to stabilize oil feeding.
2. Oil feeding is linear distribution and the quantity of oil is visible.
3. Fixed connection is fast reliable and easy for installation and using. Pressure adjust is stable and with high repeat precision.
4. High efficiency of removing water and solid particle.
5. Manual, differential pressure and automatic drain ways are optional.

How to order:

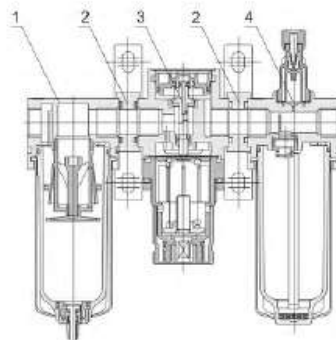


Inner structure drawing:

AC200



AC300/400/500



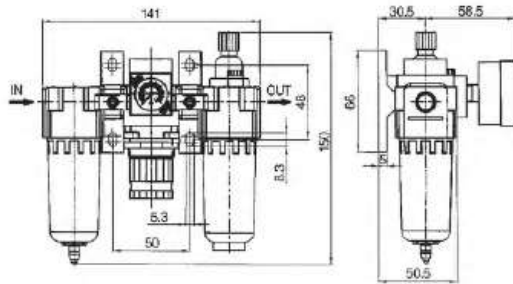
Number	Name
1	Filter
2	Connecting block
3	Regulator
4	Lubricator

AC Air Source Treatment Unit

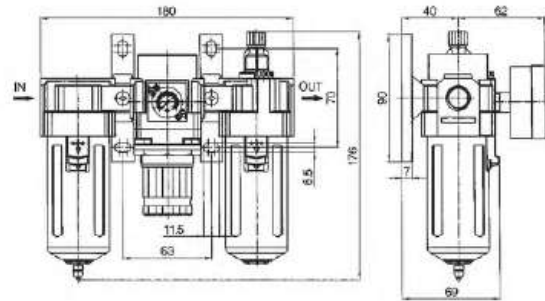
Filter+Regulator+Lubricator

■ Dimension(mm):

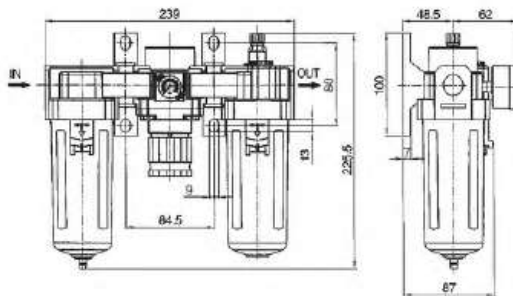
■ AC200A-01, 02



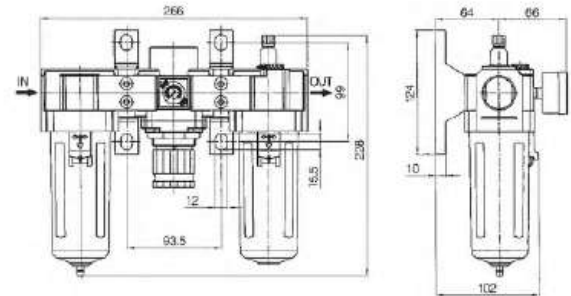
■ AC300A-02, 03



■ AC400A-03, 04



■ AC500A-06, 08



■ AC600A-06, 08

