

AR Air Source Treatment Unit

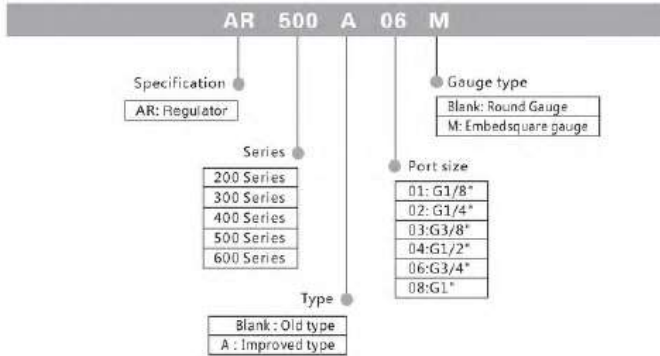
Regulator



Specification:

Type	AR200A-01, 02	AR300A-02, 03	AR400A-03, 04	AR500A-06, 08	AR600A-06, 08
Port size(G)	1/8" · 1/4"	1/4" · 3/8"	3/8" · 1/2"	3/4" · 1"	3/4" · 1"
Gauge thread(G)	1/8"				
Fluid	Compressed air				
Operating pressure range(MPa)	0.15-0.85				
Max. Flowrate(L/min)	1000	2000	3500	5000	
Ambient temperature(°C)	-10~60				

How to order:



Symbol:

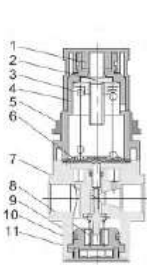


Product feature:

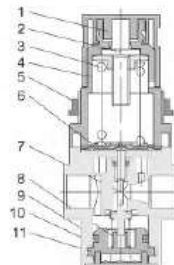
1. Hand wheel adopts the pressed self-locking mechanism to prevent the setting pressure from external disturbance and unusual action.
2. Pressure adjustment mechanism adopts the balance design with more stable adjustment and better characteristic.
3. Besides panel-mounting, fixed bracket installation is optional.

Inner structure drawing:

AR200



AR300/400/500



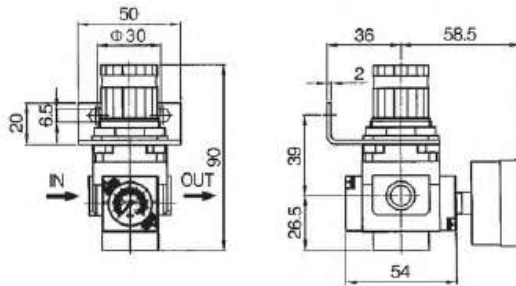
Number	Name	Material
1	Hand wheel	PCOM
2	Lifting screw	Q235
3	Spring	Spring steel
4	Valve cover	PCOM
5	Nut	PCOM
6	Diaphragm	Q235+NBR
7	Valve core	HPb59-1+NBR
8	Spring	Stainless steel
9	O-ring	NBR
10	Valve body	Aluminium
11	Bottom cover	PCOM

AR Air Source Treatment Unit

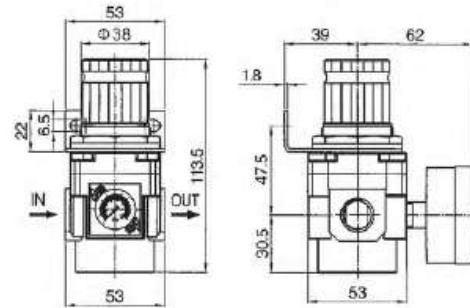
Regulator

■ Dimension(mm):

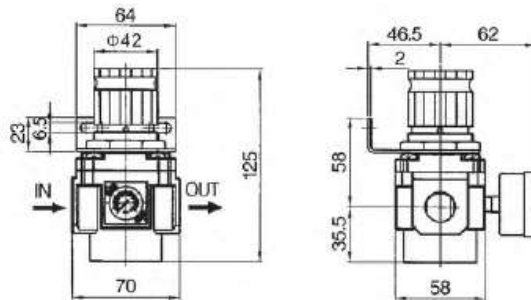
■ AR200A-01, 02



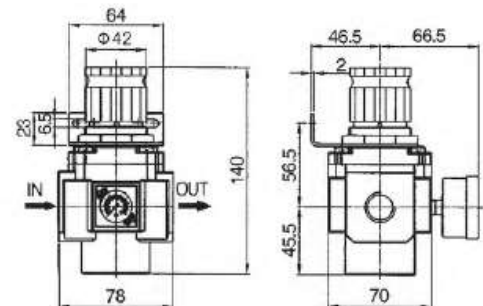
■ AR300A-02, 03



■ AR400A-03, 04



■ AR500A-06, 08



■ AR600A-06, 08

