

Filter Regulator



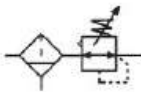
Specification:

Type	AW200A-01, 02	AW300A-02, 03	AW400A-03, 04	AW500A-06, 08	AW600A-06, 08
Port size(G)	1/8" · 1/4"	1/4" · 3/8"	3/8" · 1/2"	3/4" · 1"	3/4" · 1"
Gauge thread(G)	1/8"				
Fluid	Compressed air				
Operating pressure range(MPa)	0.15~0.85				
Max.Flow rate(L/min)	900	2000	3500	5000	
Ambient temperature(°C)	-10~60				
Filter precision	5µm or 40µm				
Cup material	Polycarbonate				
Guard cup	-	•	•	•	•

Note1 : The guard cup of AW200A series can be optional. Note2 : Metal cups are optional.



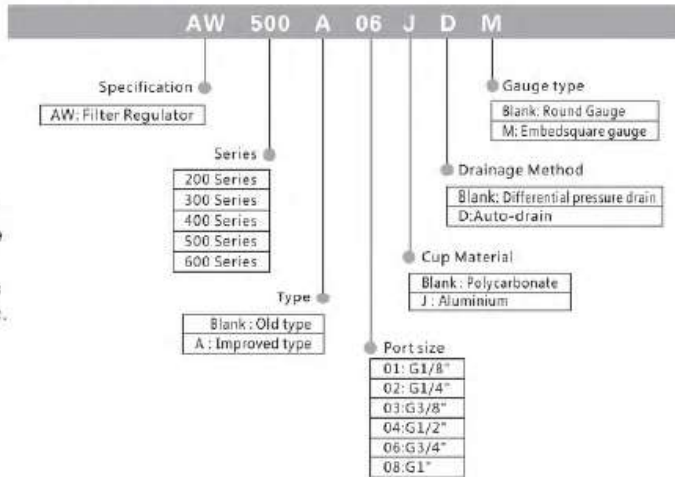
Symbol:



Product feature:

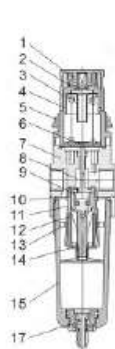
1. Hand wheel adopts the pressed self-locking mechanism to prevent the setting pressure from external disturbance and unusual action.
2. Pressure adjustment mechanism adopts the balance design with more stable adjustment and better characteristic.
3. Special guide structure makes the flowing gases spin properly to separate the water from gas and filter solid particle efficiently.
4. Filter precision 5 or 40 µm is optional.
5. Manual, differential pressure and automatic drain ways are optional.

How to order:

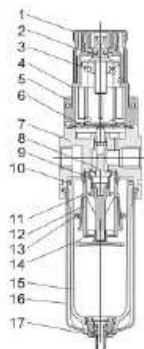


Inner structure drawing:

AW200



AW300/400/500

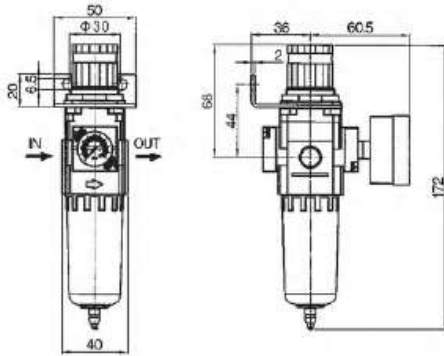


Number	Name	Material
1	Hand wheel	POM
2	Lifting screw	Q235
3	Spring	Spring steel
4	Valve cover	POM
5	Nut	POM
6	Diaphragm	Q235+NBR
7	Valve body	Aluminium
8	Valve core	Brass+NBR
9	Spring	Stainless steel
10	O-ring	NBR
11	Filter core pedestal	POM
12	Filter core	Bronze Polypropylene fiber
13	Impeller	POM
14	Filter core pressing plate	POM
15	Water cup	PC
16	Guard cup	Q235
17	Drainer	Assembly

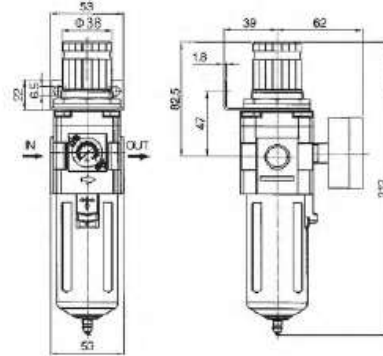
Filter Regulator

■ Dimension(mm):

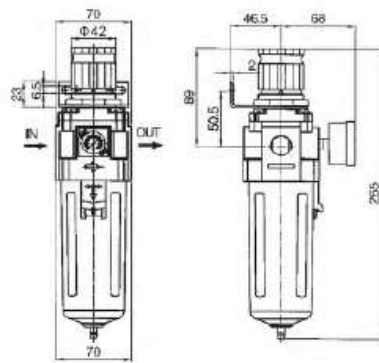
■ AW200A-01, 02



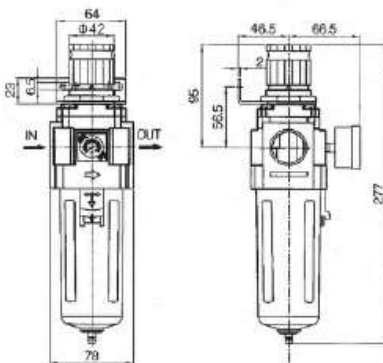
■ AW300A-02, 03



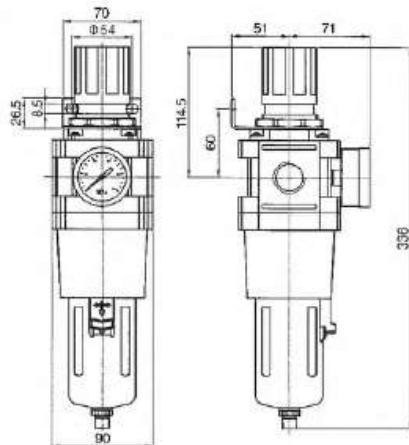
■ AW400A-03, 04



■ AW500A-06, 08



■ AW600A-06, 08



AW