

# 30FT S200 SUPERTITAN TOWER

15" H/H

TOP SECTION #2

U S A	MAXIMUM ALLOWABLE ANTENNA AREA - PER TIA/EIA 222 REV. F					
	WIND VELOCITY RATINGS					
	NO ICE (ROUND/FLAT)			1/2" ICE (ROUND/FLAT)		
	70 mph	90 mph	100 mph	70 mph	90 mph	100 mph
	60/42	30/21	21/15	55/39	27/19	20/14

**FOUNDATION LOADS:**

MAX. OVERTURNING MOMENT (K\*FT) =  
 MAX. SHEAR (kips) =  
 MAX. AXIAL (kips) =

18" H/H

SECTION #3

U S A	MAXIMUM ALLOWABLE ANTENNA AREA - PER TIA/EIA 222 REV. G, CLASS 1 (NO ICE)					
	WIND VELOCITY RATINGS					
	90 mph 3sg	110mph 3sg	120 mph 3sg	3sg = 3 SECOND GUST WINDSPEED FM = FASTEST MILE WINDSPEED		
	75 mph FM	90 mph FM	100 mph FM			
	ROUND	FLAT	ROUND	FLAT	ROUND	FLAT
-	-	-	-	-	-	

**FOUNDATION LOADS:**

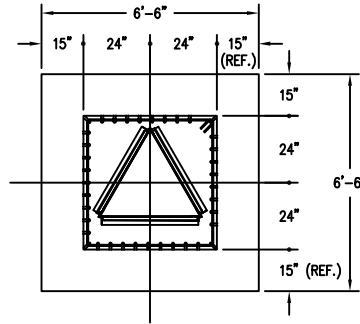
MAX. OVERTURNING MOMENT (K\*FT) =  
 MAX. SHEAR (kips) =  
 MAX. AXIAL (kips) =

21" H/H

SECTION #4

24" H/H

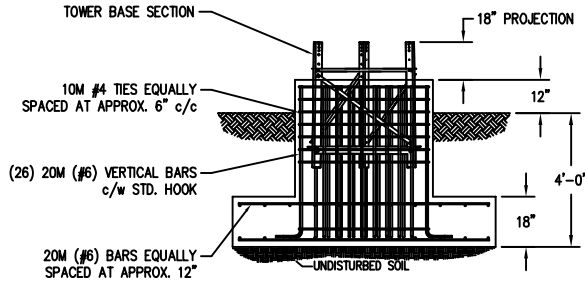
5" EMBEDMENT SECTION INCLUDED IN KITS



CUBIC YARDS OF CONCRETE		
PAD CONC VOL.	PIER CONC VOL.	TOTAL VOL.
2.4	2.1	4.5

**FOUNDATION DESIGN (NORMAL DRY SOIL)**

DESIGN ASSUMES THAT FROST DEPTH IS LESS THAN 4'-0"



REV.	BY:	BY:	DESCRIPTION	DATE
REV.	REV.	CHK.		

REFERENCE DRAWINGS:	
DRAWING NUMBER	DRAWING NUMBER

CONFIDENTIAL: ALL INTELLECTUAL PROPERTY RIGHTS HEREIN ARE THE PROPERTY OF TRYLON INC. ALL DUPLICATION, REPRODUCTION, DISCLOSURE OR USE IS PROHIBITED WITHOUT WRITTEN CONSENT OF TRYLON INC.

**Trylon**

DRAWING NO. 000001.620.0152

CUSTOMER: SITE: SCALE: 50

DATE: 02 FEB 07 BY: CHK: APP:

TITLE: 30FT S200 SUPERTITAN PROFILE

- NOTES:
- 1) KNOCK-DOWN PART NUMBER 5.94.0200.030.
  - 2) PRE-ASSEMBLED PART NUMBER: 5.95.0200.030.
  - 3) ANTENNA LOADS ARE CENTRALLY LOCATED AND BALANCED, 3-FT OR LESS ABOVE THE TOWER TOP.
  - 4) WIND LOADING ASSUMES (1) 1/2" TRANSMISSION LINE PER 10 SQ.FT. OF ROUND MEMBER ANTENNA AREA.