

# **AIBox**

## Quick Guide

AIB-800A


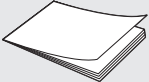




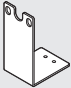

## Features

This product allows you to register cameras that do not support AI features, enabling to receive Bestshot, metadata, and such through various AI analytics. Additionally, it supports real-time monitoring of the registered videos.

- Supports AI analytics (object detection, people/vehicle counting, queue management, heatmap, IVA, and detection area)
- Supports AI Apps for each channel
- Supports BestShot view
- Configuration of event triggers and various event actions
- Convenient log search
- Supports ONVIF Profile S standard and RTP / RTSP protocols
- Alarm Input / Output
- Supports 8-Channel live monitoring of the network cameras
- Supports convenience in remote monitoring through DDNS support

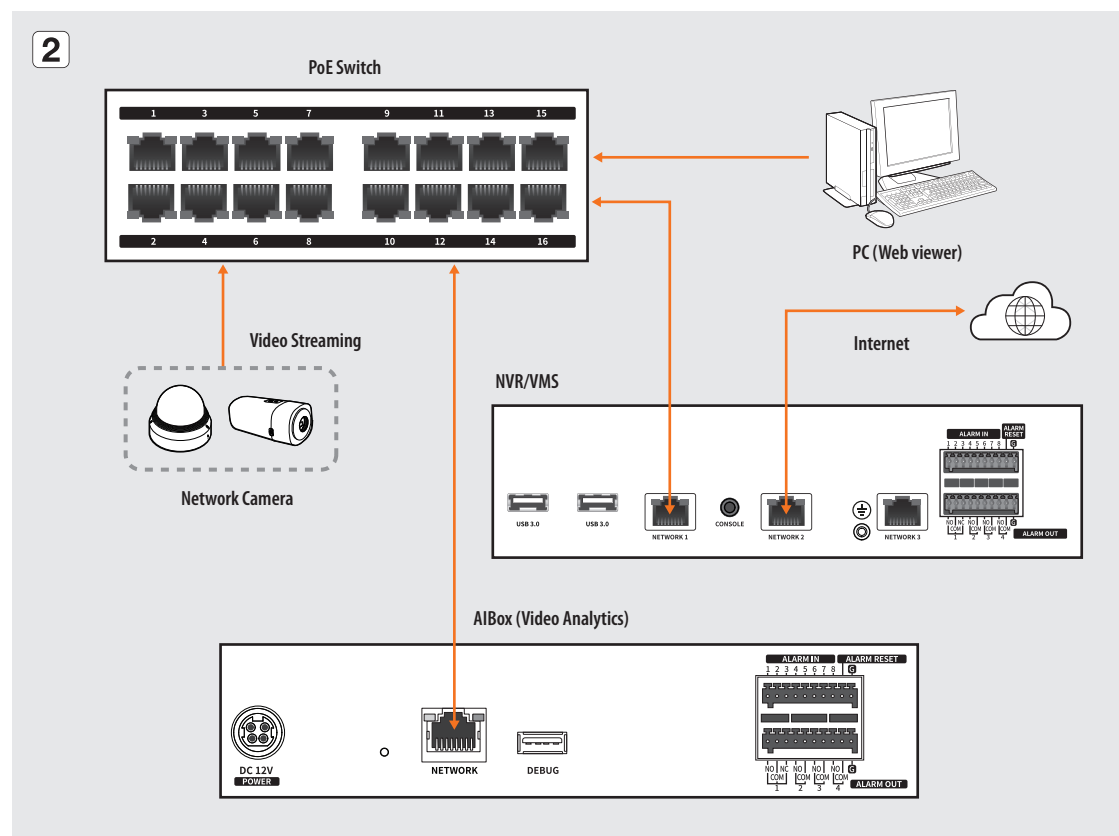
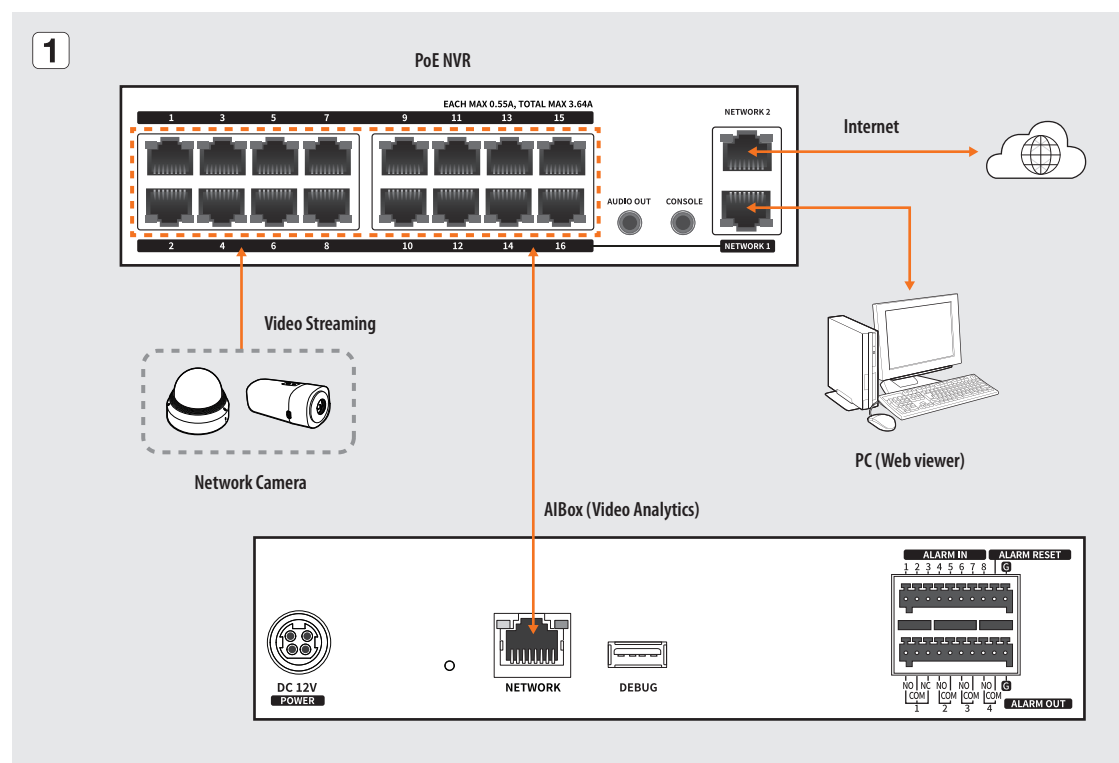
## Package Contents

- The appearance of the components may differ from the image shown.
- Accessory category and quantity may differ depending on sales region.

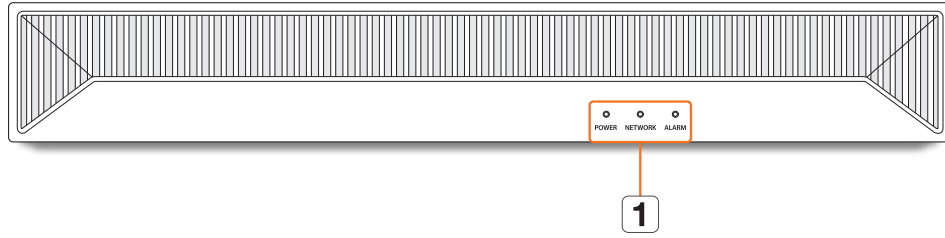
|   |   |  |
|---|---|--|
|    |    |    |
| AIBox   | Quick Guide   | Power Adaptor  |
|  |  |  |
| Power Cable   | Terminal Block (2 ea)   | Anti-slip Rubber Pad   |
|  |  |  |
| Bracket Rack (2 ea)   | Bracket Fixing Screw (4 ea)   |  |

- Attach anti-slip rubber pads to the bottom of the product, depending on the usage environment. This helps prevent sliding or wobbling and enhances stability during use.

## AIBox System Configuration

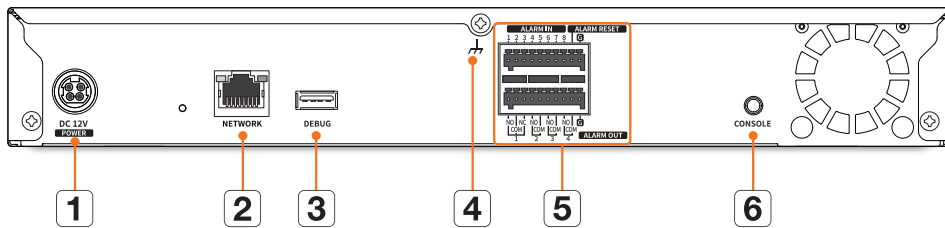


## Part Names and Functions (Front)



| Part Names      | Functions  |
|-----------------|--|
| 1 LED Indicator | POWER : Shows the power ON/OFF status.                               |
|                 | NETWORK : Displays both network connection and data transfer status. |
|                 | ALARM : LED lights on when an event occurs.                          |

## Part Names and Functions (Rear)



| Part Names          | Functions  |
|---------------------|--|
| 1 DC 12V POWER      | Terminal to connect power to.  |
| 2 NETWORK           | Port for network connection and connection to the web viewer.  |
| 3 DEBUG             | Device for maintenance. <ul style="list-style-type: none"> <li>Do not connect any USB device to the port.</li> </ul>   |
| 4 Ground Connection | Port for connecting a separate ground cable. <ul style="list-style-type: none"> <li>For safe handling of the device, please add a ground wire.</li> </ul>                            |
| 5 Alarm             | <ul style="list-style-type: none"> <li>ALARM IN : Alarm input ports. (1~8 CH)</li> <li>ALARM RESET : Alarm reset ports.</li> <li>ALARM OUT : Alarm output ports. (1~4 CH)</li> </ul> |
| 6 CONSOLE           | Device for maintenance.  |

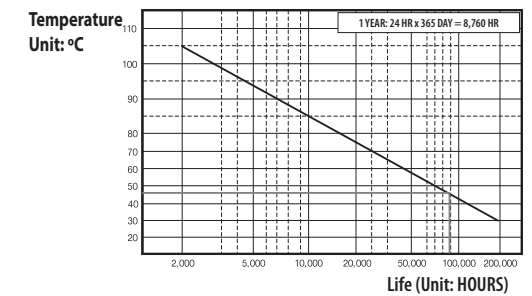
## Installation Precautions

Please take note of the followings before using this product.

- Do not use the product outdoor.
- Do not spill water or liquid in the connection part of the product.
- Do not impose the system to excessive shock or force.
- Do not pull out the power plug forcefully.
- Do not disassemble the product on your own.
- Do not exceed the rated input/output range.
- Use a certified power cord only.
- For the product with an input ground, use a grounded power plug.

## Checking the Installation Environment

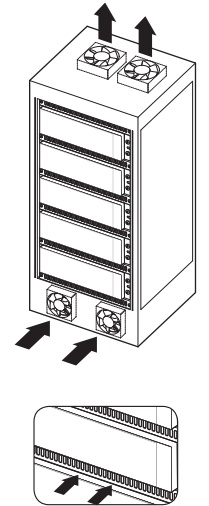
Note that an excessive internal temperature of the product may cause a system failure or a shortened product life (see the right figure). Keep in mind the following instructions before installing the product.



[Figure 1]

When mounting the product on a rack, comply with the following instructions.

- Please ensure that the rack inside is not sealed.
- Please ensure the air is circulated through the inlet/outlet as shown in the picture.
- If you pile up the products or other rack-mount devices as shown in figure 2, secure room for ventilation or install a vent.
- For natural air convection, place the inlet at the bottom of the rack and the outlet on top.
- It is strongly recommended that a fan motor is installed at the inlet and the outlet for air circulation. (Please fit a filter at the inlet to screen dust or foreign substances.)
- It is recommended to keep the temperature inside the rack or around the product at 25°C.

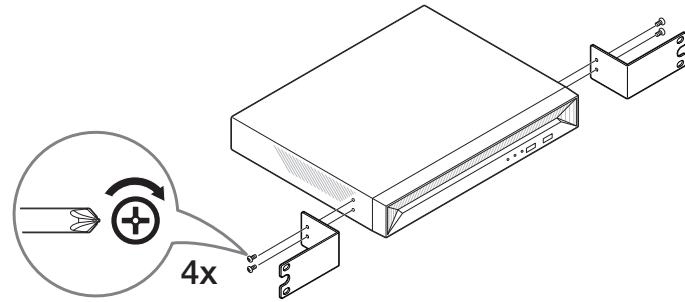


[Figure 2]

## Rack Installation

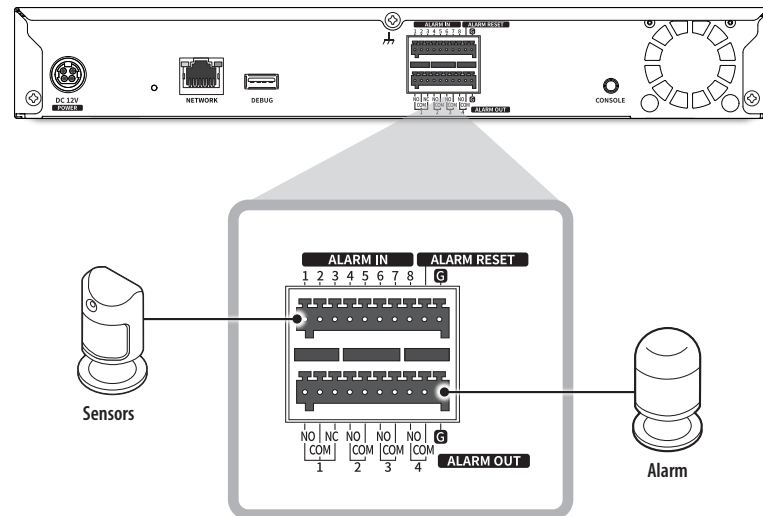
Install the Bracket-Rack as shown in the figure, and then fasten the screws on the left and right sides.

- Fix the screws not to be loosened by vibrations.

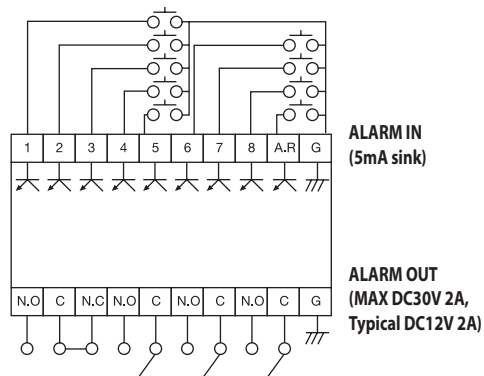


## Connecting the Alarm Input/Output

The Alarm In/Out port at the back is composed of the following.



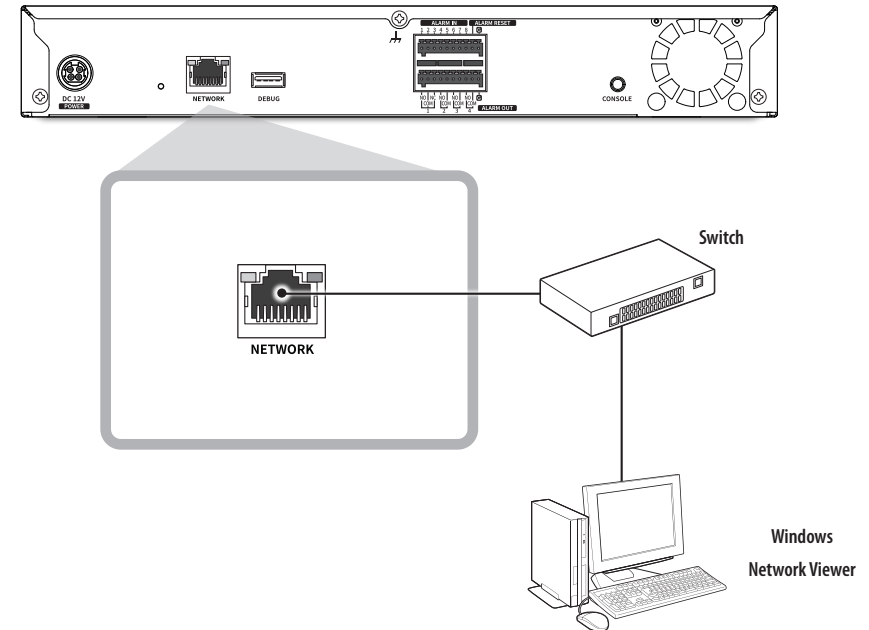
- ALARM IN 1 ~ 8 : Alarm input ports
- ALARM RESET : After receiving an alarm reset signal, it releases the current alarm input and restarts the alarm transmission.
- ALARM OUT 1 ~ 4 : Alarm output ports



## Connecting the Network

- For more information about network connection, see "Setting the Network" in the User Manual.

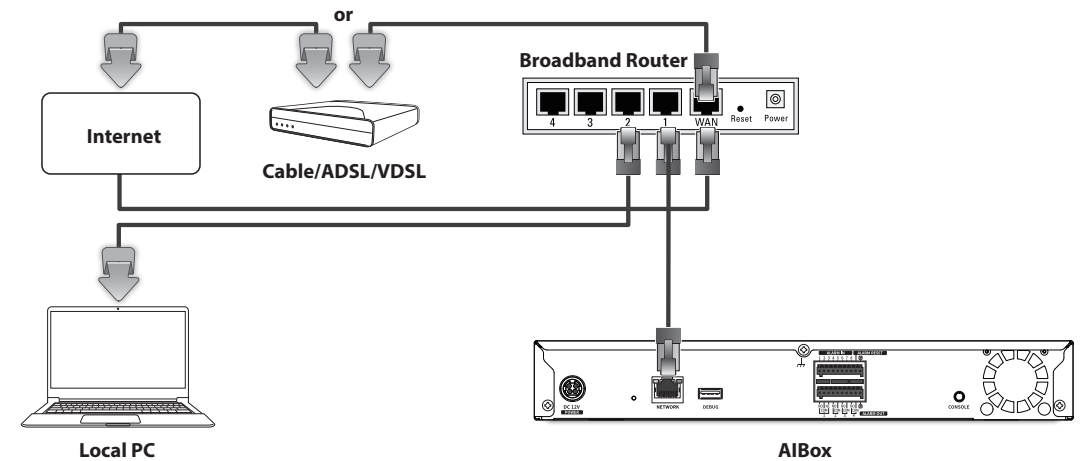
### Network Connection via Ethernet (10/100/1000BaseT)



### Network Connection Using a Router

If you want to use a PC and AIBox in an environment using xDSL/Cable modem, you can use the router with only one Internet line.

This guide is an installation guide for network beginners. Follow the instructions to set up your router, local PC, and AIBox.



## Connecting a Router with PC

- Refer to the router's user manual.

## Connecting a Router with AIBox

Move to <IP & Port> of the AIBox <Network> Setting menu, and set the ① <IP address> and ② <Gateway> in <Setup>.

- ※ The <Default gateway> checked in the [cmd.exe] window of the local PC and the <Gateway> of the AIBox must be the same.
- ※ The first three numbers of the AIBox <IP address> should match the first three of the <Default gateway> checked in the [cmd.exe] window of the local PC.

```
Microsoft Windows [Version 10.0.18362.329]
(c) 2019 Microsoft Corporation. All rights reserved.

C:\Users\Users> ipconfig

Windows IP Configuration

Ethernet adapter Ethernet 2:

    Connection-specific DNS Suffix  . : kornet
    IPv4 Address. . . . . : 192.168.219.192
    Default Gateway . . . . . : 192.168.219.254

C:\Users\Users>
```

<cmd screen>

| Field        | Value                   |
|--------------|-------------------------|
| IP type      | Manual                  |
| IP address   | 192.168.219.123         |
| Subnet mask  | 255.255.255.0           |
| Gateway      | 192.168.219.254         |
| DNS          | 168.126.63.1            |
| IPv6         | Enable IPv6 (unchecked) |
| IP type      | Default (selected)      |
| IPv6 Address | / 0                     |

<AIBox screen>

## Checking the IP Address

The IP address of AIBox to access the web viewer can be seen in "Wisenet Device Manager." The "Wisenet Device Manager" program can be installed by accessing the Hanwha Vision website (www.HanwhaVision.com) and downloading from the "Support > Online Tool" menu.

- Run "Wisenet Device Manager."
- Click <Search> to display the connected devices.
- Check the IP address of AIBox in the list.

## Setting the Password

When accessing the web viewer for the first time or after a factory reset, set the password of AIBox.

- Open your web browser and enter the IP address of AIBox in the address bar.
- Enter the password of the administrator account and click <Login>.

- Click <i> to view the basic guide for setting a password. Refer to the password setup rules.

Set the password according to the following rules:

- 8 - 9 characters of at least three 3 different types: alphabet upper case, lower case, numbers, and special characters
- 10 - 64 characters of at least three 2 different types: alphabet upper case, lower case, numbers, and special characters
- User ID may not be used as password.
- Do not use more than 4 consecutive characters (ex. 1234, abcd, etc.).
- Do not use the same character repeatedly more than 4 times (ex. !!!!, 1111, aaaa, etc.).

- Be sure to remember or record the password not to forget it.

## Connecting the Web Viewer

- Open your web browser and enter the IP address of AIBox in the address bar. The <Sign in> window appears.
- Enter <User name> and <Password> and click <Sign in>.

- User name : Enter "admin".
- Password : Enter the set password.

## Using Product Information

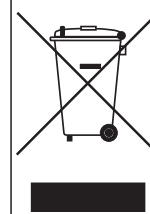
You can check the product information/manual/firmware information/FAQ/HDD compatibility list on the homepage or mobile web of your smartphone.



**HEVC Advance**<sup>TM</sup>  
Covered by patents at [patentlist.accessadvance.com](http://patentlist.accessadvance.com)



Hanwha Vision cares for the environment at all product manufacturing stages, and is taking measures to provide customers with more environmentally friendly products. The Eco mark represents Hanwha Vision's devotion to creating environmentally friendly products, and indicates that the product satisfies the EU RoHS Directive.



### Correct Disposal of This Product (Waste Electrical & Electronic Equipment)

(Applicable in the European Union and other European countries with separate collection systems)

This marking on the product, accessories or literature indicates that the product and its electronic accessories (e.g. charger, headset, USB cable) should not be disposed of with other household waste at the end of their working life. To prevent possible harm to the environment or human health from uncontrolled waste disposal, please separate these items from other types of waste and recycle them responsibly to promote the sustainable reuse of material resources.

Household users should contact either the retailer where they purchased this product, or their local government office, for details of where and how they can take these items for environmentally safe recycling.

Business users should contact their supplier and check the terms and conditions of the purchase contract. This product and its electronic accessories should not be mixed with other commercial wastes for disposal.



### Correct disposal of batteries in this product

(Applicable in the European Union and other European countries with separate battery return systems.)

This marking on the battery, manual or packaging indicates that the batteries in this product should not be disposed of with other household waste at the end of their working life. Where marked, the chemical symbols Hg, Cd or Pb indicate that the battery contains mercury, cadmium or lead above the reference levels in EC Directive 2006/66. If batteries are not properly disposed of, these substances can cause harm to human health or the environment.

To protect natural resources and to promote material reuse, please separate batteries from other types of waste and recycle them through your local, free battery return system.

