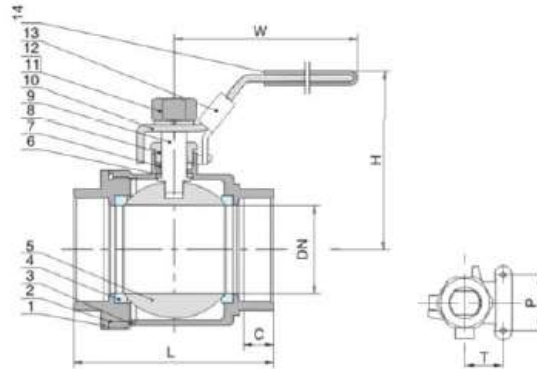


2-PC STAINLESS STEEL BALL VALVE FULL PORT 1000WOG(PN138) 二片式重型球阀



特点 FEATURES

精密铸造阀体 Investment Casting Body
全口径 Full Port
各种螺纹设计 Various Thread Standard Available
手柄带锁选配 Locking Device Available

标准 STANDARD

设计 Design: GB 12237
壁厚 Wall Thickness: GB 12221
管螺纹 Pipe Thread: ANSI B 1.20, 1, BS 21/2779
DIN 259/2999, ISO 228-1
检测和试验 Inspection & Testing: JB 9092

主要零件材料 Main components material

No.	Parts Name	Material	No.	Parts Name	Material
1	阀盖 Bonnet	CF8/CF8M	8	填料压盖 Packing gland	SS304
2	密封垫 Gasket	PTFE	9	阀杆 Stem	SS304
3	阀体 Body	CF8/CF8M	10	手柄 Handle	SS304
4	阀座 Seat	RPTFE	11	弹垫 Spring washer	SS304
5	球体 Ball	SS304/SS316	12	螺母 Handle nut	ASTM A194 B8
6	止推垫 Stem gasket	PTFE	13	锁块 Handle lock	SS304
7	填料 Packing	PTFE	14	皮套 Handle sleeve	PLASTIC

主要外形及连接尺寸 Main external and connection dimension

Size(Inch)	DN	L	W	H	C	T	P
¼"	12	52	91	49	10	12.7	28.5
⅜"	12	52	91	49	13	12.7	28.5
½"	15	62	106	52	14	12.7	28.5
¾"	20	70	118	62	19	22.1	35
1"	25	82	127	68	21	22.1	35
1¼"	32	95	136	76	22	23.6	38.1
1½"	38	104.5	171	86	22	23.6	38.1
2"	48	118	171	98	24	23.6	38.1
2½"	65	162	215	129	26	35	55
3"	80	180	240	140	31	35	55
4"	98	220	317	153.5	37	35	55