

V180XP Series

PoF Optical Power Splitter

Highlights:



Highly versatile



Voltage/current protection



Low insertion loss



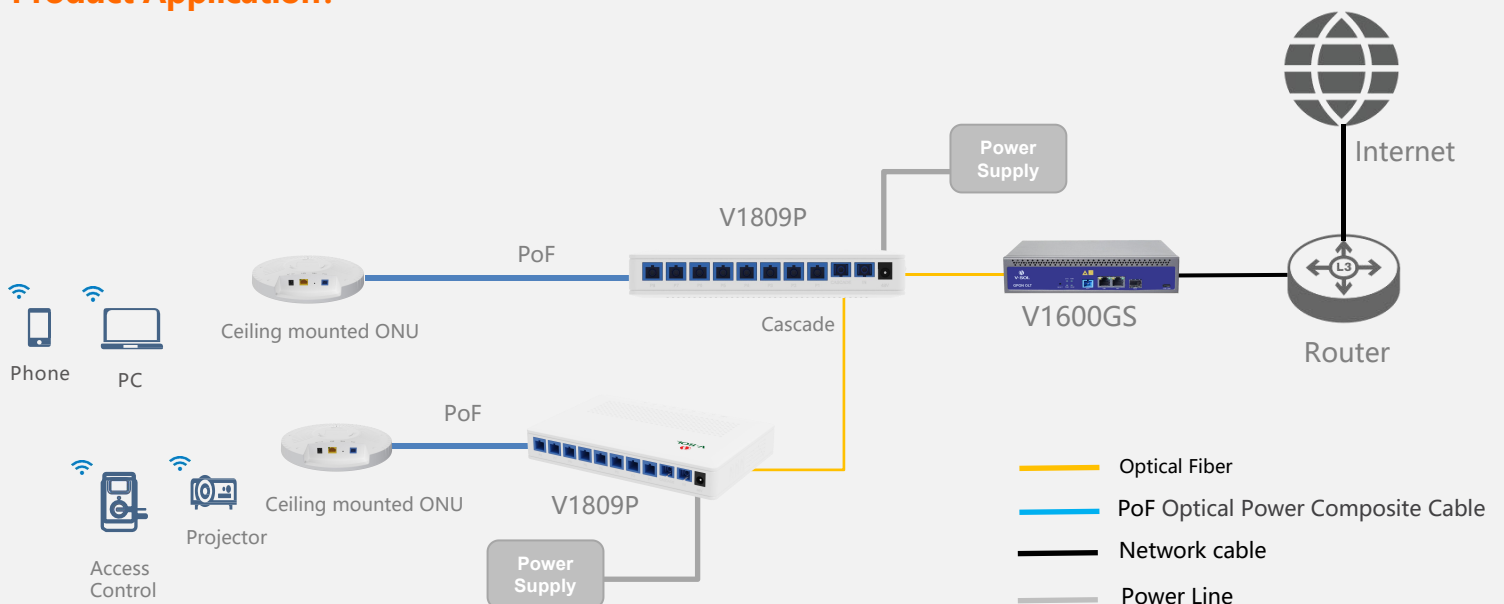
IEEE 802.3af/at standard

Introduction:

V180XP series Optical Power splitter integrates splitting and power supply, occupies little space, and can provide data transmission and PoF remote power supply function to terminal equipment through optoelectronic composite cable at the same time, which is suitable for indoor access network in enterprise parks and other terminal equipment such as ONU/MDU, PON optical AP etc., which are difficult to get power.

The product is widely used in business buildings, schools, parks, homes and other FTTR network application scenarios, easy to deploy, and a better solution to the access network equipment power supply difficulties and wiring disorders.

Product Application:



Type		V1804P	V1805P	V1808P	V1809P
Item	Parameters	1×4 Splitter	1×5 Splitter	1×8 Splitter	1×9 Splitter
Optical Signal Indicator	Insertion loss of output port (dB)	≤7.8	≤15.6	≤10.9	≤16.5
	Insertion loss of cascade port (dB)	—	≤1.8	—	≤2.3
	Uniformity (dB)	≤0.7	≤0.7	≤1.0	≤1.0
	Polarization related loss (dB)	≤0.3	≤0.3	≤0.3	≤0.3
	Return loss (dB)	≥50			
	Directionality (dB)	≥55			
	Operating wavelength range(nm)	1260~1650			
	Interface type	SC/UPC,SC/APC			
Power	Number of Outputs	4		8	
	Power Supply	≤60W		≤130W	
Environment	Operating Temperature	-20~+45°C			
	Storage Temperature	-20~+55°C			
Appearance	Dimension	180mm*120mm*26mm			
	Installation Method	Desktop/Wall Mounted			

Product Display:



V1804P



V1805P



V1808P



V1809P

Ordering Information:

Product Name	Product Description	Power Configuration
V1804P-A/V1804P-U	1 to 4 Power Splitter: 4*output Ports (Single port maximum about 30W,Optional APC and UPC)	AC-DC power adaptor: DC 54V/1.11A
V1805P-A/V1805P-U	1 to 5 Power Splitter: 1*cascade output port,4*output Ports (Single port maximum about 30W,Optional APC and UPC)	AC-DC power adaptor: DC 54V/1.11A
V1808P-A/V1808P-U	1 to 8 Power Splitter: 8*output Ports (Single port maximum about 30W,Optional APC and UPC)	AC-DC power adaptor: DC 54V/2.4A
V1809P-A/V1809P-U	1 to 9 Power Splitter: 1*cascade output port,8*output Ports (Single port maximum about 30W,Optional APC and UPC)	AC-DC power adaptor: DC 54V/2.4A