

DS-3WF5000-SI-5ACG/2P
5Ghz 867Mbps 5KM Wireless Bridge Kit



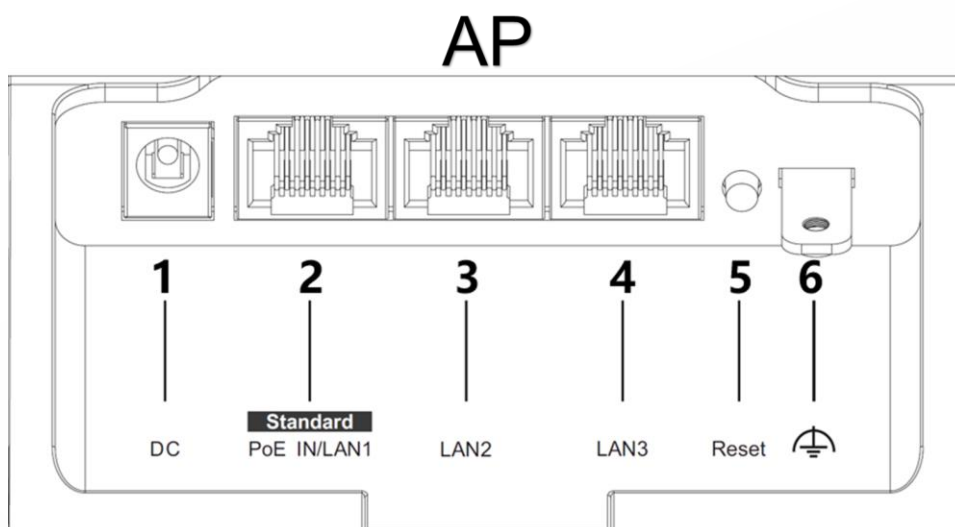
- Up to 5 km wireless transmission distance
- 867 Mbps 802.11ac wireless bridge
- Built-in 16 dBi 2 x 2 MIMO antenna
- Visualized topology management
- Standard PoE Input & Output
- Plug and Play

▪ Specification

Wireless Parameter	
Max. Transmission Rate of Air Interface	≤ 867 Mbps
Wireless Standard	IEEE 802.11/a/n/ac
Working Frequency Band	5150 MHz ~ 5250 MHz, 5250 MHz~ 5350 MHz, 5470 MHz~ 5725 MHz, 5725 MHz~ 5825 MHz
Antenna Gain	16 dBi
Antenna Angle	(H) Beamwidth [3 dB] 32° (V) Beamwidth [3 dB] 17°
Transmitting Power	29 dBm @11ac 80MHz MCS0 (Note: Transmitting power may vary with local regulations.)
Receiving Sensitivity	-88 ±2dBm@AC80-MCS0
Throughput Rate	PTP:290 Mbps/1 KM(AC80), 270 Mbps/3 KM(AC80), 250 Mbps/5 KM(AC80); PTMP(1 to 8): 150 Mbps/5KM(AC80)
General	
Product Dimensions (W × H × D)	134.21 mm × 235.00 mm × 58.73 mm (5.28" × 9.25" × 2.31")
Package Dimensions (W × H × D)	341 mm × 360 mm × 100 mm (13.43" × 14.17" × 3.94")
Net Weight	0.54 kg (1.19 lb) per device
Gross Weight	2.76 kg (6.08 lb)
Packing List	Wireless Bridge x 2, PoE Adapter (48.0V, 1.0A) x 2, Power Cord x 2, Universal Joint Nut x 2, Universal Joint x 2, Mounting Bracket x 2, Screw Pack x 2, Hose Clamp x 2, Quick Start Guide x 1, Regulatory Compliance and Safety Information x 1
Packing Method	Packing in pairs
Working Temperature	-30 °C to 65 °C (-22 °F to 149 °F)
Working Humidity	5% to 95% (no condensation)
Storage Temperature	-40 °C to 80 °C (-40 °F to 176 °F)
Storage Humidity	5% to 95% (no condensation)
Installation Mode	Wall Mounting, Pole Mounting
Ingress Protection	IP55
Power Consumption	3.5 W for typical (1-ch 2MP IPC), Max. 7.7 W
PoE Power Supply	
PoE Port	AP: LAN1 802.3af/at PoE IN; CPE: LAN1 passive PoE IN, LAN2 802.3 af PoE OUT, LAN3 802.3 af PoE OUT
PoE Power Budget	40W
Max. Port Power	28W
PoE Distance	100 m
Hardware Parameter	
Network Interface	3 × 100/1000 Mbps RJ45 ports
LED Indicator	Power indicator, LAN indicator, Signal intensity indicator
Reset	Hardware resetting button
Power Supply	48V PoE/12~24V DC; Check the physical interface image below for more details.
Software Function	
Application Function	IFM, IPM, DFS, TPC
Channel Width	20/40/80 MHz
Channel Selection	Auto/manual selection
Security Mode	WPA2-PSK

Security Mechanism	Wireless network name hidden
Network Protocol	NTP (network time synchronization), SADP (auto search for IP address), HTTPS/HTTP (web management), SSH (debugging)
Management Method	HCP, Web, iVMS-4200, HPP
System Log	Syslog, Control center information
Upgrade	Web, iVMS-4200, HCP, HPP
HPP	Support one-click activation and remote management via Hik-Partner Pro. Functions supported: <ol style="list-style-type: none"> 1. Reboot device 2. Restore device 3. Display the topology information 4. Display the connection status between AP and CPEs, including signal intensity, background noise, sending & receiving rate. 5. Configure wireless settings, including working mode, SSID, password, channel, channel bandwidth, transmitting power 6. Bridge alignment 7. Spectrum scanning 8. PoE output management
Approval	
EMC	CE-EMC (EN 55032: 2015+A11: 2020, EN IEC 61000-3-2: 2019, EN 61000-3-3: 2013+A1: 2019, EN 50130-4: 2011+A1: 2014, EN 55035: 2017+A11: 2020), IC (ICES-003: Issue 7:2020), RCM (AS/NZS CISPR 32: 2015)
Safety	CB (AMD1:2009, AMD2:2013, IEC 62368-1: 2014 (Second Edition)), CE-LVD (EN 62368-1: 2014+A11: 2017)
Chemistry	CE-RoHS (2011/65/EU), WEEE (2012/19/EU), Reach (Regulation (EC) No.1907/2006)
Radio	EN 301 893, EN 300 440, EN 62311, EN 301 489-3, EN 301 489-17

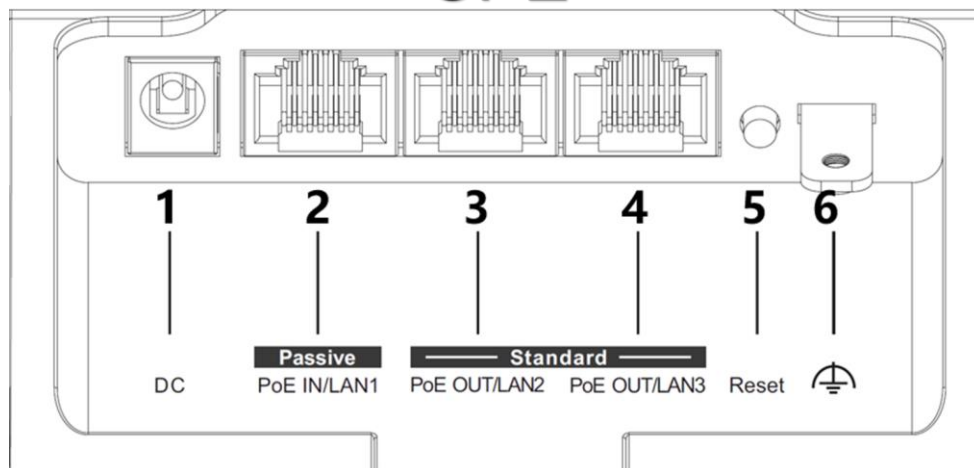
Physical Interface



No.	Interface/Button	Description
1	DC	Support DC 12~24V power supply. PoE OUT is not available when the device is powered by DC port.
2	Standard PoE IN/LAN 1	The 10/100/1000 Mbps adaptive RJ45

		port, also can be used as a standard PoE input port.
3	LAN2	The 10/100/1000 Mbps adaptive RJ45 port.
4	LAN3	The 10/100/1000 Mbps adaptive RJ45 port.
5	Reset	Long press for 4 seconds to restore to factory settings.

CPE

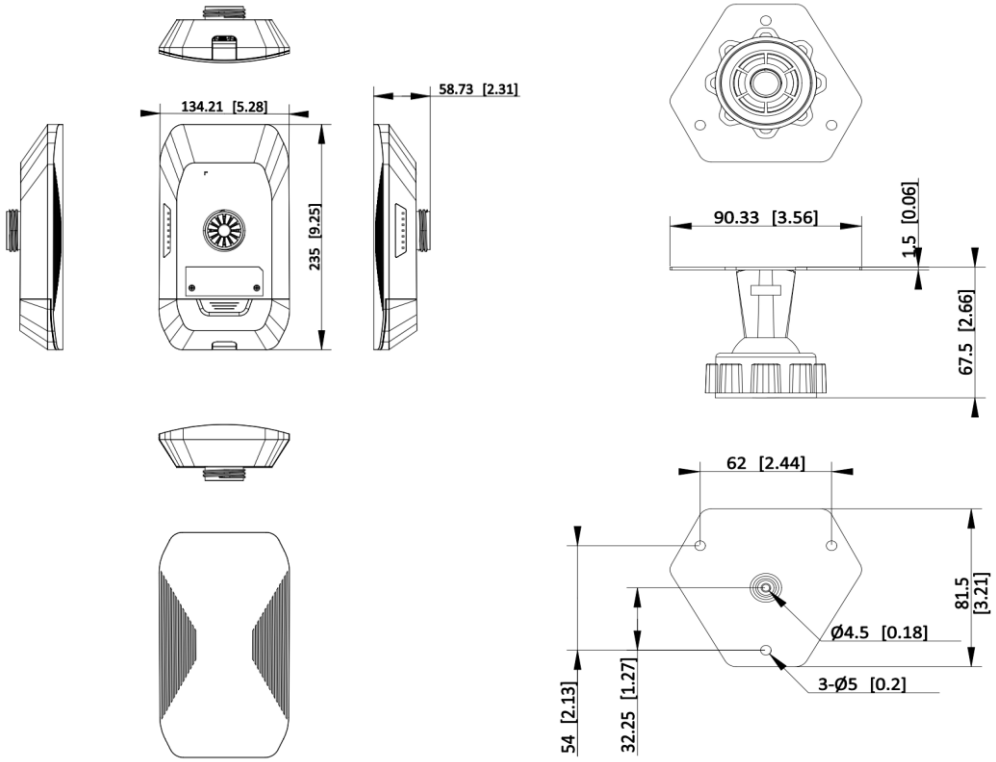


No.	Interface/Button	Description
1	DC	Support DC 12~24V power supply. PoE OUT is not available when the device is powered by DC port.
2	Passive PoE IN/LAN 1	The 10/100/1000 Mbps adaptive RJ45 port, also can be used as a passive PoE input port.
3	Standard PoE OUT/LAN 2	The 10/100/1000 Mbps adaptive RJ45 port, also can be used as a standard PoE output port.
4	Standard PoE OUT/LAN 3	The 10/100/1000 Mbps adaptive RJ45 port, also can be used as a standard PoE output port.
5	Reset	Long press for 4 seconds to restore to factory settings.

▪ Available Model

DS-3WF5000-SI-5ACG/2P

▪ Dimension



See Far, Go Further



www.hikvision.com
support@hikvision.com

