

DS-MI9605-GA Mobile Enforcement Video Recorder



Introduction

Mobile enforcement system adopts multiple key technology. The whole system is made up by four parts: DS-MI9605-GA mobile enforcement video recorder, positioning system lite, manual controller, and LCD. Mobile enforcement system provides a complete solution for the traffic law enforcement, security protection, emergency commanding, and other surveillance projects. It is widely applied to the police vans, special vehicles, emergency scenes, etc.

Key Feature

- 1-ch 1080p network speed dome and 4-ch network camera.
- H.265 video compression for main stream and sub-stream.
- 1-ch VGA video output with resolution of 1280 × 800.
- Pluggable dummy HDD supporting two 2.5-inch HDDs/SSDs.
- Pluggable 3G/4G module and Wi-Fi module providing flexible data transmission solutions.
- Dummy HDD adopts HDD/SSD vibration damping technology.
- IR and white light illumination help to capture high quality images in dim light environment.
- Load name overlay feature records the geographical information of video evidence.
- Operate menu and control positioning system lite via single and multi-touch features.
- Power-off protection prevents key data from loss.
- Dummy HDD provides smart temperature-control module and USB data export interface.
- Built-in GPS (Global Positioning System) module precisely positioning the vehicle via the satellite and recording the location information in the video stream.
- Device adopts the aviation plug design to ensure signal stability.
- Wide-range power input.
- Aluminum die-cast chassis with no-fan design well adaptable to working environment.

Available Model

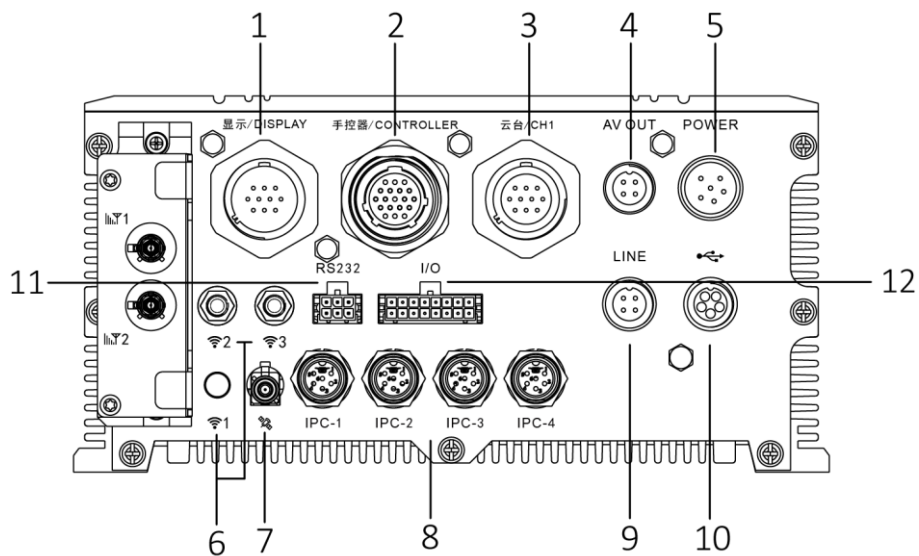
DS-MI9605-GA,
DS-MI9605-GA/GW, (supports 3G dialing)
DS-MI9605-GA/GLF, (supports 4G dialing)



Specifications

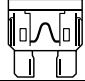
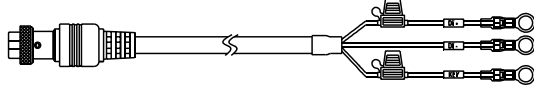
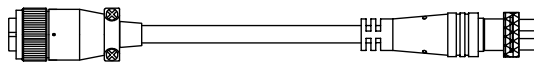
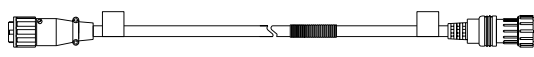
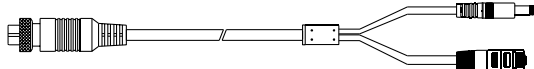

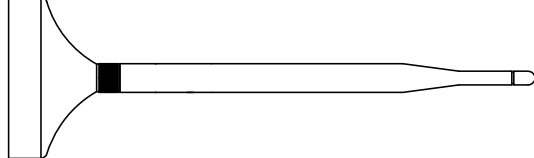
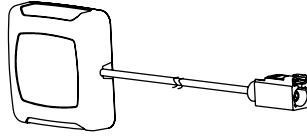

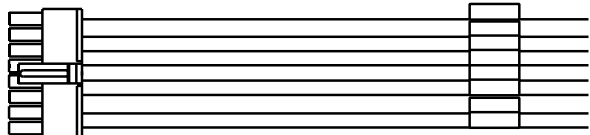
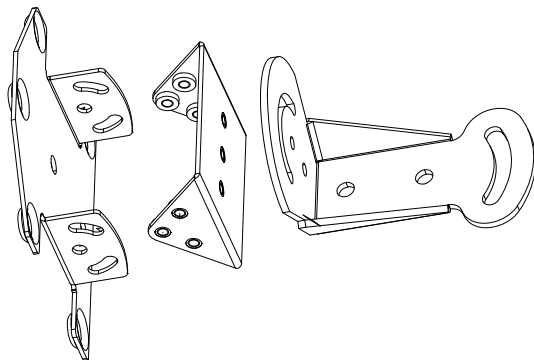
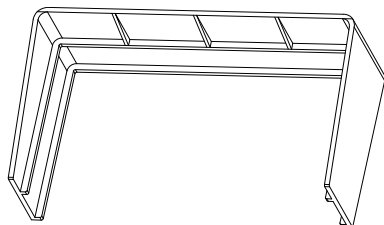
Model		DS-MI9605-GA
Video/Audio Input	IP Camera	1 positioning system lite, 4 network cameras (1080p/960p/720p/D1)
	Two-way Audio	1 (2.0Vp-p, 1K Ω)
Video/Audio Output	Video Output	3: 1 CVBS output (PAL: 720 × 576, NTSC: 704 × 576), 1 VGA output (1280 × 800), 1 HDMI output
	Audio Output	2-ch. Aviation plug (linear, 600 Ω)
Encoding/Decoding Parameters	Video Compression	H.264, H.265
	Frame Rate	PAL: 1 to 25fps; NTSC: 1 to 30fps
	Audio Compression	G.711, G.722
	Stream Type	Video, video & audio
	Audio Bitrate	16 Kbps
	Dual Stream	Supported
Storage	HDD/SSD	2 × 2.5 inch HDD/SSD, up to 2 TB for each HDD/SSD
		A dummy HDD with USB 3.0 interface
Wireless Network	3G/4G Dialing	1 × 3G/4G card slot, 1 × Rosenberger antenna
	Wi-Fi	1 × 2.4 G Wi-Fi SMA antenna
Positioning	GNSS (Global Navigation Satellite System)	GPS (Global Positioning System), 1 × Rosenberger antenna
External Interface	Network Interface	<ul style="list-style-type: none"> ● Front panel: 1 × 10M/100M/1000M RJ45 self-adaptive Ethernet interface ● Rear panel: 4 × 6-pin aviation plug
	Serial Port	1 × RS-232
	USB Interface	<ul style="list-style-type: none"> ● Front panel: 2 × Type-A USB 3.0 ● Rear panel: 1 × USB 2.0 of 5-pin aviation plug
	Alarm Input	8
	Alarm Output	2
	eSATA Interface	1 (reserved)
General	Operating Method	Mouse, IR remote control, Web control
	Power Supply	9 to 32 VDC
	Consumption	<ul style="list-style-type: none"> ● Standby: ≤ 0.5 W ● Full load: ≤ 80 W
	Working Temperature	<ul style="list-style-type: none"> ● Device that provides dummy HDD with heating function: -30 °C to +60 °C (-22 °F to +140°F) ● Other devices: -10 °C to +60 °C (14 °F to 140°F)
	Working Humidity	10% to 90%
	Dimensions (W × D × H)	202 × 252 × 87 mm (8.0 × 9.9 × 3.4 inch)
	Weight (Without Storage Media)	≤ 4.5 Kg (9.9 lb)


Physical Interfaces



No.	Name	No.	Name
1	LCD Interface	7	GPS antenna interface
2	Manual controller interface	8	IP camera input of channel 1 to 4
3	Positioning system lite interface	9	Two-way audio interface
4	Analog video output	10	USB 2.0 of 5-pin aviation plug
5	Power supply of 6-pin aviation plug	11	RS-232 interface
6	Wi-Fi antenna interfaces	12	I/O Interface, including: <ul style="list-style-type: none"> ● Alarm input, triggered by high/low level ● vehicle information input ● Relay signal alarm output

Packing List

Description	Quantity	Picture	Note
Fuse	2		
Power cord	1		
LCD video cable	1		
PTZ cable	1		
6-pin aviation plug-to-RJ45 cable	4		
3G/4G antenna	1		For GW/GLF model.
Wi-Fi antenna	1		
GPS antenna	1		For model with GPS module.
Serial port line	1		
Alarm line	1		
LCD bracket	1		
Rubber shield	1		

Screwdriver	1		For GW and GLF model.
-------------	---	---	-----------------------

DS-TCC400 Series Network HD Positioning System



Key Feature

- All-weather positioning system. Wiper and housing made from high-strength aluminum.
- IR illumination helps to capture high quality images in dim light environment.
- Gyro anti-shake.
- 4 MP. 1/1.8" progressive scan CMOS.
- 35X zoom (optical and digital). Focal length: 5.9 to 135.7 mm.
- Minimum illumination: Color, 0.005 Lux @ F1.5.
- Max. resolution: 2560 × 1440.
- 3D DNR, WDR 120 db.

Typical Application

It can be widely used in mobile monitoring and common road monitoring.

Available Model

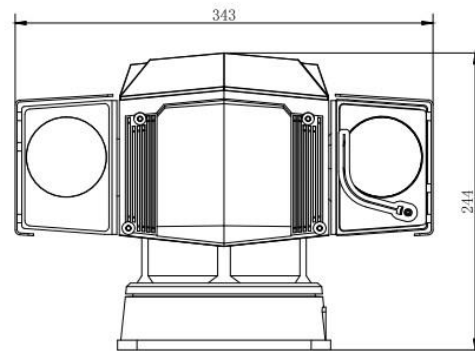
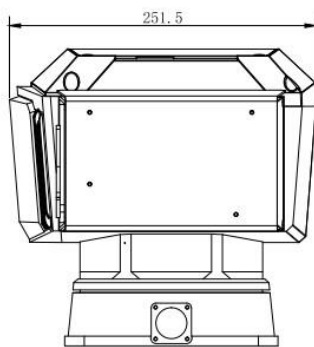
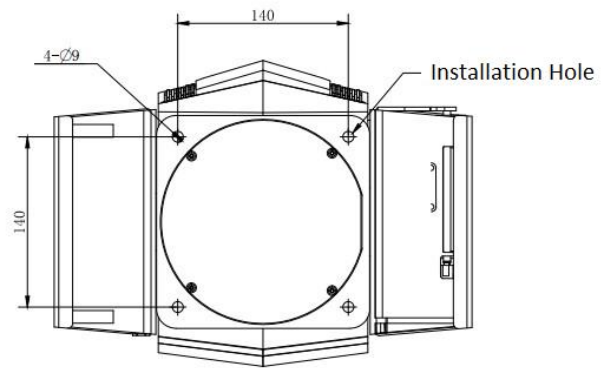
DS-TCC400-I/T



Specification

Camera	
Image Sensor	1/1.8" Progressive Scan CMOS
Resolution	Main stream: 50 Hz: 25 fps (2560 x 1440), 60 Hz: 30 fps (2560 x 1440) Sub-stream: 50 Hz: 25 fps (704 x 576), 60 Hz: 30 fps (704 x 480) Third stream: 50 Hz: 25 fps (2560 x 1440), 60 Hz: 30 fps (2560 x 1440)
Min. Illumination	Color: 0.005 Lux @ (F1.5, AGC ON) B/W: 0.0005 Lux @ (F1.5, AGC ON)
S/N Ratio	> 52 dB
Focal Length	5.9 to 135.7 mm, 23x optical zoom
Aperture Range	F1.5 to F3.4
Horizontal View Angle	59.8° to 3.3°(W-T)
Min. Object Distance	10 to 1,500 mm (W-T)
Zoom Speed	Approx. 4.8 s (optical, W-T)
Focus Mode	Auto/Semiautomatic/Manual
Shutter Time	1/1 s to 1/30,000 s
White Balance	Auto/Manual /ATW/Indoor/Outdoor/Daylight lamp/Sodium lamp
DNR	3D
WDR	Supported
Picture Configuration	Brightness, contrast, sharpness, saturation
Digital Zoom	12
Day & Night	ICR
Exposure Mode	Auto/Iris priority/Shutter priority/Manual
Day/Night Mode	Auto/Color/B/W
Video Compression	H.264/H.265
Smart Image Enhancement	120 dB ultra-WDR, HLC, BLC, digital defog, EIS
Network	
Protocols	IPv4/IPv6, HTTP, HTTPS, 802.1x, Qos, FTP, SMTP, UPnP, DNS, DDNS, NTP, RTSP, RTCP, RTP, TCP/IP, DHCP, Bonjour
Interface Protocols	API, ONVIF, PSIA, CGI, Hikvision SDK, third-party management platform access, EHome
PTZ	
Horizontal Preset Speed	100°/s
Vertical Preset Speed	80°/s
Horizontal Manual Control of Speed	0° to 60°/s
Vertical Manual Control of Speed	0° to 40°/s
Horizontal Rotation Angle	360° unlimited rotation
Vertical Rotation Angle	-90° to 90°
RS-485	Pelco-D/Pelco-P/Hikvision
General	
Network	1 RJ45 10M/100M Ethernet interface, supporting remote upgrade
Power Supply	12 VDC (8 to 36 VDC)
Working Humidity	< 90%
Protection Level	IP66
Working Temperature	-35 °C to 65 °C (-31 °F to 149 °F)
Consumption	< 50 W
Shock Resistance	≥ 4 G
Weight	9 kg (19.8 lb.)

Dimension



Unit: mm

DS-1010KI Manual controller



Features and Functions

- Control enforcement system.
- Control positioning system lite.
- Power lock.
- Joystick design.
- Buttons with backlight.
- Vibration damping design.

Typical Application

Mobile environment

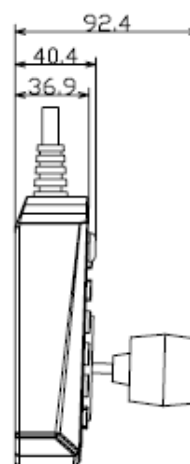
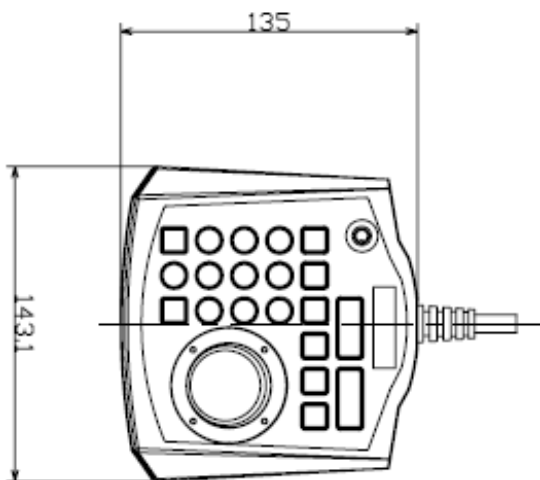
Available Model

DS-1010KI

Dimensions

Specifications

Model	DS-1010KI manual controller
Dimension(W×D×H)	143 × 135 × 40 mm (5.6 × 5.3 × 1.6")
Weight	≤ 0.5 Kg (≤ 1.1 lb)
Consumption	≤ 2W
Power supply	12 VDC
Temperature	-20 °C to +60 °C (-4 °F to +140 °F)
Humidity	10% to 95%



DS-MP1308 7-inch HD LCD

Features and Functions

- 7-inch LCD. LED backlight.
- High definition.
- Touchscreen.
- Display enforcement system image and GUI.
- Aviation plug design.
- TFT material.



Typical Application

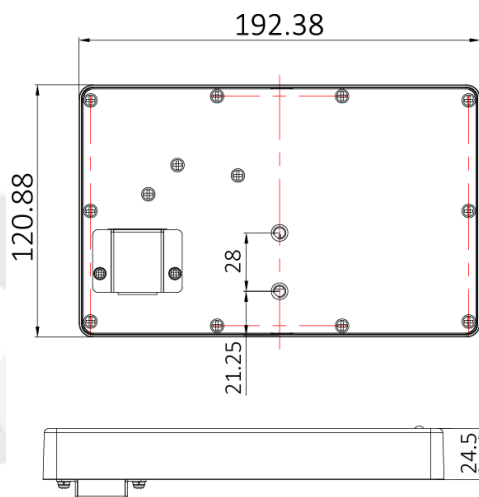
Mobile environment

Available Model

DS-MP1308

Dimensions

Unit: mm

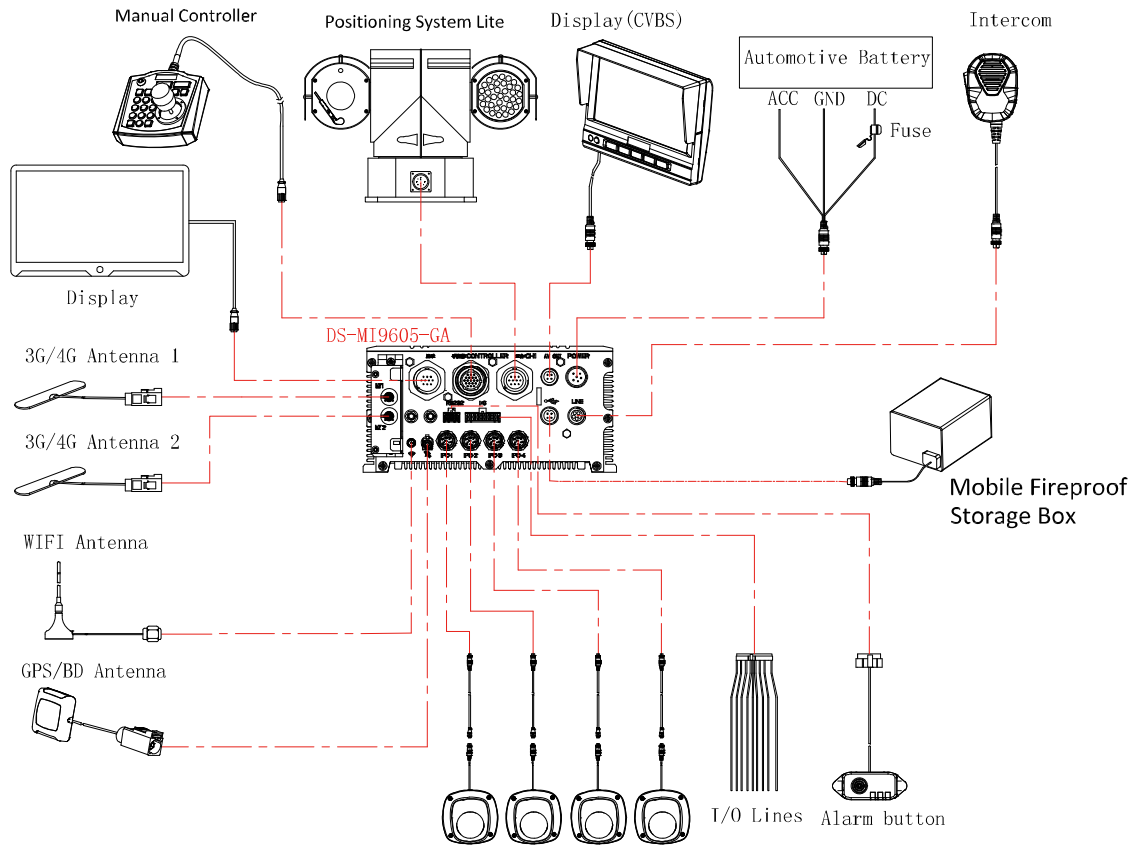


Specifications

Model	DS-MP1308 7-inch HD LCD
Resolution	1024 × 600
Material	TFT
Backlight mode	LED backlight
Dimensions	7-inch
Consumption	≤ 5W
Weight	≤ 0.6 Kg (1.3 lb)
Working voltage	12 V
Working temperature	-20 °C to +60 °C (-4 °F to +140 °F)
Working humidity	10% to 95%
Touchscreen	Supported. Multi-touch



Peripheral Connection



Distributed by



HIKVISION®

Headquarters

No.555 Qianmo Road, Binjiang District,
Hangzhou 310051, China
T +86-571-8807-5998
overseasbusiness@hikvision.com

Hikvision USA
T +1-909-895-0400
sales.usa@hikvision.com

Hikvision Australia
T +61-2-8599-4233
salesau@hikvision.com

Hikvision India
T +91-22-28469900
sales@pramahikvision.com

Hikvision Canada
T +1-866-200-6690
sales.canada@hikvision.com

Hikvision Thailand
T +662-275-9949
sales.thailand@hikvision.com

Hikvision Europe
T +31-23-5542770
sales.eu@hikvision.com

Hikvision Italy
T +39-0438-6902
info.it@hikvision.com

Hikvision Brazil
T +55 11 3318-0050
Latam.support@hikvision.com

Hikvision Turkey
T +90 (216)521 7070- 7074
sales.tr@hikvision.com

Hikvision Malaysia
T +601-7652-2413
sales.my@hikvision.com

Hikvision UK & Ireland
T +01628-902140
sales.uk@hikvision.com

Hikvision South Africa
Tel: +27 (10) 0351172
sale.africa@hikvision.com

Hikvision France
T +33(0)1-85-330-450
info.fr@hikvision.com

Hikvision Kazakhstan
T +7-727-9730667
nikia.panfilov@hikvision.ru

Hikvision Vietnam
T +84-974270888
sales.vt@hikvision.com

Hikvision UAE
T +971-4-4432090
salesme@hikvision.com

Hikvision Singapore
T +65-6684-4718
sg@hikvision.com

Hikvision Spain
T +34-91-737-16-55
info.es@hikvision.com

Hikvision Tashkent
T +99-87-1238-9438
uzb@hikvision.ru

Hikvision Hong Kong
T +852-2151-1761
info.hk@hikvision.com

Hikvision Russia
T +7-495-669-67-99
saleru@hikvision.com

Hikvision Korea
T +82-(0)31-731-8817
sales.korea@hikvision.com

Hikvision Poland
T +48-22-460-01-50
info.pl@hikvision.com

Hikvision Indonesia
T +62-21-2933759
Sales.Indonesia@hikvision.com

Hikvision Colombia
sales.colombia@hikvision.com